



SLOVENSKI STANDARD

SIST EN 16582-3:2015

01-oktober-2015

Plavalni bazeni za domačo uporabo - 3. del: Posebne zahteve, vključno z varnostjo in preskusnimi metodami za bazene, postavljene na površini

Domestic swimming pools - Part 3: Specific requirements including safety and test methods for aboveground pools

Schwimmbäder für private Nutzung - Teil 3: Spezielle Besondere Anforderungen einschließlich sicherheitstechnischer Anforderungen und Prüfverfahren für auf dem Boden aufgestellte Schwimmbäder

Piscines privées à usage familial - Partie 3: Exigences spécifiques, exigences de sécurité et méthodes d'essai pour piscines hors sol

<https://standards.iteh.ai/catalog/standards/sis/2b29e136-6bc2-41a0-a9f2-538f8fe10a4d/sist-en-16582-3-2015>

Ta slovenski standard je istoveten z: EN 16582-3:2015

ICS:

97.220.10 Športni objekti Sports facilities

SIST EN 16582-3:2015

en,fr,de

iTeh STANDARD PREVIEW
(standards.iteh.ai)

SIST EN 16582-3:2015

<https://standards.iteh.ai/catalog/standards/sist/2b29e136-6bc2-41a0-a9f2-538f8fef0a4d/sist-en-16582-3-2015>

EUROPEAN STANDARD

EN 16582-3

NORME EUROPÉENNE

EUROPÄISCHE NORM

August 2015

ICS 97.220.10

English Version

Domestic swimming pools - Part 3: Specific requirements including safety and test methods for aboveground pools

Piscines privées à usage familial - Partie 3 : Exigences spécifiques et de sécurité et méthodes d'essai pour piscines hors sol

Schwimmbäder für private Nutzung - Teil 3: Besondere Anforderungen einschließlich sicherheitstechnischer Anforderungen und Prüfverfahren für auf dem Boden aufgestellte Schwimmbäder

This European Standard was approved by CEN on 20 June 2015.

CEN members are bound to comply with the CEN/CENELEC Internal Regulations which stipulate the conditions for giving this European Standard the status of a national standard without any alteration. Up-to-date lists and bibliographical references concerning such national standards may be obtained on application to the CEN-CENELEC Management Centre or to any CEN member.

This European Standard exists in three official versions (English, French, German). A version in any other language made by translation under the responsibility of a CEN member into its own language and notified to the CEN-CENELEC Management Centre has the same status as the official versions.

CEN members are the national standards bodies of Austria, Belgium, Bulgaria, Croatia, Cyprus, Czech Republic, Denmark, Estonia, Finland, Former Yugoslav Republic of Macedonia, France, Germany, Greece, Hungary, Iceland, Ireland, Italy, Latvia, Lithuania, Luxembourg, Malta, Netherlands, Norway, Poland, Portugal, Romania, Slovakia, Slovenia, Spain, Sweden, Switzerland, Turkey and United Kingdom.

<https://standards.iteh.ai/catalog/standards/sist/2b29e136-6bc2-41a0-a9f2-538f8fe10a4d/sist-en-16582-3-2015>



EUROPEAN COMMITTEE FOR STANDARDIZATION
COMITÉ EUROPÉEN DE NORMALISATION
EUROPÄISCHES KOMITEE FÜR NORMUNG

CEN-CENELEC Management Centre: Avenue Marnix 17, B-1000 Brussels

Contents

Page

European foreword	3
1 Scope	4
2 Normative references	4
3 Terms and definitions	4
4 Requirements and test methods specific to aboveground swimming pools	8
4.1 General	8
4.2 Aboveground swimming pool with frame-supporting walls	8
4.2.1 Resistance to horizontal deformation	8
4.2.2 Resistance to vertical deformation	9
4.2.3 Bursting strength	10
4.3 Aboveground swimming pool with self-stabilizing walls	11
4.3.1 Capacity to stop an overflow	11
4.3.2 Inflatable compartment	12
4.3.3 Stability in the event of deflation of the upper tube	12
4.3.4 Bursting strength	12
4.4 Mechanical strength of the membrane of a swimming pool with tubular frame and/or flexible structure	13
Bibliography	14

SIST EN 16582-3:2015

<https://standards.iteh.ai/catalog/standards/sist/2b29e136-6bc2-41a0-a9f2-538f8fef0a4d/sist-en-16582-3-2015>

European foreword

This document (EN 16582-3:2015) has been prepared by Technical Committee CEN/TC 402 "Domestic pools and spas", the secretariat of which is held by AFNOR.

This European Standard shall be given the status of a national standard, either by publication of an identical text or by endorsement, at the latest by February 2016 and conflicting national standards shall be withdrawn at the latest by February 2016.

Attention is drawn to the possibility that some of the elements of this document may be the subject of patent rights. CEN [and/or CENELEC] shall not be held responsible for identifying any or all such patent rights.

This document is part of a series of standards dealing with domestic swimming pools which consist of:

- *Part 1: General requirements including safety and test methods;*
- *Part 2: Specific requirements including safety and test methods for inground pools;*
- *Part 3: Specific requirements including safety and test methods for aboveground pools.*

This European Standard has to be read in conjunction with local and national regulations if they exist.

According to the CEN-CENELEC Internal Regulations, the national standards organizations of the following countries are bound to implement this European Standard: Austria, Belgium, Bulgaria, Croatia, Cyprus, Czech Republic, Denmark, Estonia, Finland, Former Yugoslav Republic of Macedonia, France, Germany, Greece, Hungary, Iceland, Ireland, Italy, Latvia, Lithuania, Luxembourg, Malta, Netherlands, Norway, Poland, Portugal, Romania, Slovakia, Slovenia, Spain, Sweden, Switzerland, Turkey and the United Kingdom.

[SIST EN 16582-3:2015](https://standards.iteh.ai/catalog/standards/sist/2b29e136-6bc2-41a0-a9f2-538f8fef0a4d/sist-en-16582-3-2015)

<https://standards.iteh.ai/catalog/standards/sist/2b29e136-6bc2-41a0-a9f2-538f8fef0a4d/sist-en-16582-3-2015>

EN 16582-3:2015 (E)**1 Scope**

This part of EN 16582 specifies the specific safety and quality requirements and test methods for domestic aboveground swimming pools in addition to the general requirements of EN 16582-1 and shall be read in conjunction with it. The requirements of this standard take priority over those in EN 16582-1.

These requirements and test methods are applicable to aboveground pool structures, including their means of access.

This European Standard applies to pools with a minimum water depth of more than 400 mm.

This European Standard does not apply to:

- pools of public use covered by EN 15288-1;
- paddling pools according to EN 71-8;
- domestic or public use spas.

2 Normative references

The following documents, in whole or in part, are normatively referenced in this document and are indispensable for its application. For dated references, only the edition cited applies. For undated references, the latest edition of the referenced document (including any amendments) applies.

EN 1875-3, *Rubber- or plastics- coated fabrics - Determination of tear strength - Part 3: Trapezoidal method*

[SIST EN 16582-3:2015](#)

EN 16582-1:2015, *Domestic swimming pools - Part 1: General requirements (including safety and test methods)*

<http://www.iso.org/standards/catalogue/catalogue.htm?ref=29949&from=iso>
538f8fe10a4d/sist-en-16582-3-2015

EN ISO 1421, *Rubber- or plastics-coated fabrics - Determination of tensile strength and elongation at break (ISO 1421)*

EN ISO 2411, *Rubber- or plastics-coated fabrics - Determination of coating adhesion (ISO 2411)*

EN ISO 4674-2, *Rubber- or plastics-coated fabrics - Determination of tear resistance - Part 2: Ballistic pendulum method (ISO 4674-2)*

3 Terms and definitions

For the purposes of this document, the terms and definitions given in EN 16582-1:2015 and the following apply.

**3.1
frame**

all of the resistant parts that support and/or reinforce the wall in view of forming the peripheral structure

Note 1 to entry: See Figure 1.

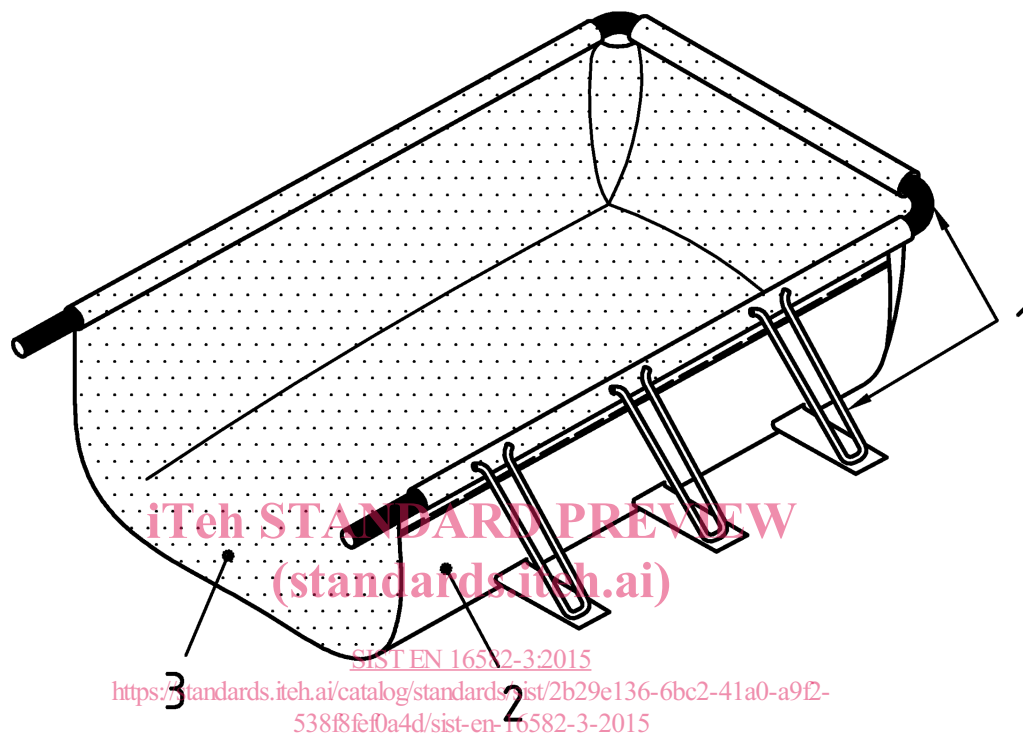
**3.2
pool wall**

generally upright structure serving to enclose or divide water or to protect an area

3.3**frame-supported wall**

wall whose stability is ensured solely by the constitutive elements supplied and which does not require additional reinforcement for its resistance to internal pressure (see Figure 1)

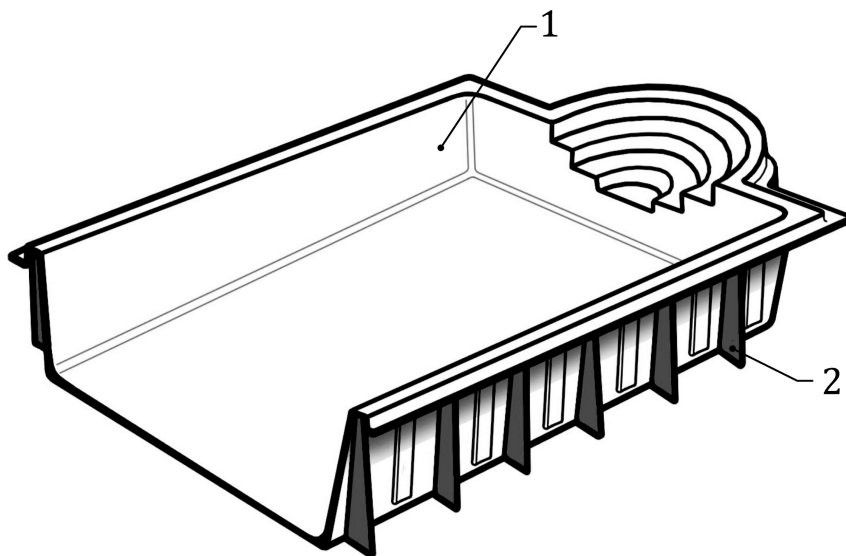
Note 1 to entry: Foundation or ground-anchoring elements are not considered as reinforcements.



a) Case 1

Key

- 1 frame
- 2 structure
- 3 waterproofing membrane (reinforced membrane)



b) Case 2

Key

- 1 polyester shell
- 2 structure

iTeh STANDARD PREVIEW
 Figure 1 — Example of frame-supported wall
 (standards.iteh.ai)

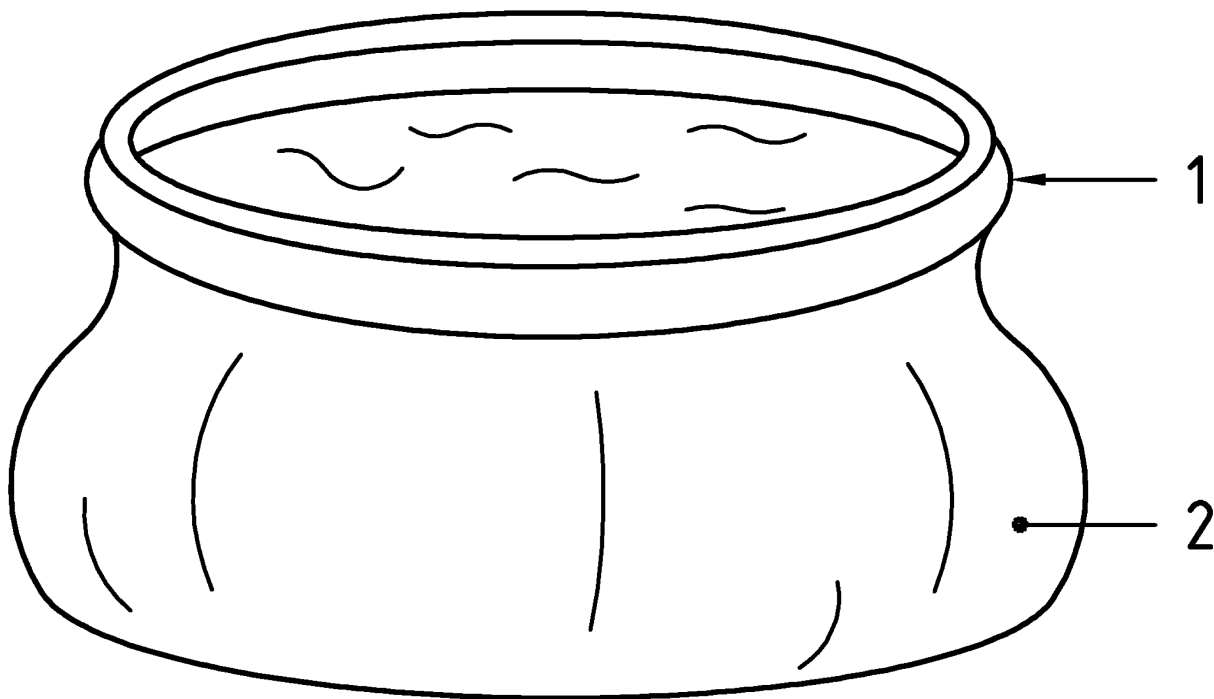
3.4**self-stabilizing wall**

generally flexible wall whose stability is ensured by the presence of water in the pool

SIST EN 16582-3:2015
<https://standards.iteh.ai/catalog/standards/sist/2b29e136-6bc2-41a0-a9f2-538f8fe10a4d/sist-en-16582-3-2015>

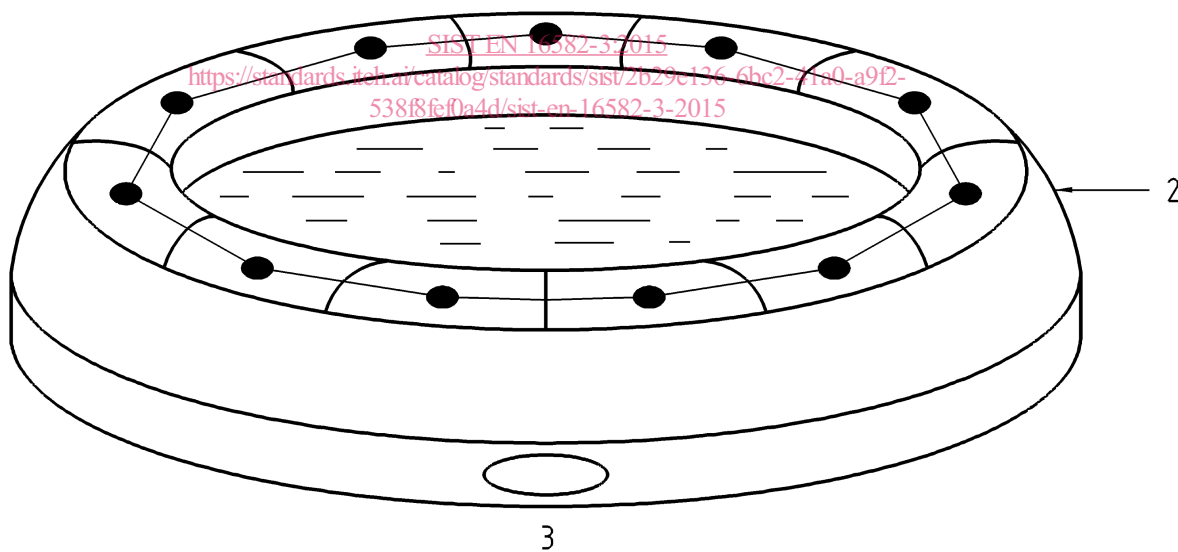
Note 1 to entry: See Figure 2.

Note 2 to entry: Swimming pools with self-stabilizing walls may be equipped with lateral devices that help maintain the product's final shape.



3
iTeh STANDARD PREVIEW
(standards.iteh.ai)

a) Self-stabilizing swimming pool with inflatable tube



b) Self-stabilizing swimming pool with tube partly filled with water