



SLOVENSKI STANDARD
kSIST FprEN 16582-3:2015

01-maj-2015

Plavalni bazeni za domačo uporabo - 3. del: Posebne zahteve, vključno z varnostjo in preskusnimi metodami za bazene, postavljene na površini

Domestic swimming pools - Part 3: Specific requirements including safety and test methods for aboveground pools

Schwimmbäder für private Nutzung - Teil 3: Spezielle Besondere Anforderungen einschließlich sicherheitstechnischer Anforderungen und Prüfverfahren für auf dem Boden aufgestellte Schwimmbäder

Piscines privées à usage familial - Partie 3: Exigences spécifiques, exigences de sécurité et méthodes d'essai pour piscines hors sol

Ta slovenski standard je istoveten z: FprEN 16582-3

ICS:

97.220.10 Športni objekti Sports facilities

kSIST FprEN 16582-3:2015 en,fr,de

EUROPEAN STANDARD
NORME EUROPÉENNE
EUROPÄISCHE NORM

FINAL DRAFT
FprEN 16582-3

March 2015

ICS 97.220.10

English Version

Domestic swimming pools - Part 3: Specific requirements including safety and test methods for aboveground pools

Piscines privées à usage familial - Partie 3 : Exigences
spécifiques, exigences de sécurité et méthodes d'essai
pour piscines hors sol

Schwimmbäder für private Nutzung - Teil 3: Besondere
Anforderungen einschließlich sicherheitstechnischer
Anforderungen und Prüfverfahren für auf dem Boden
aufgestellte Schwimmbäder

This draft European Standard is submitted to CEN members for formal vote. It has been drawn up by the Technical Committee CEN/TC 402.

If this draft becomes a European Standard, CEN members are bound to comply with the CEN/CENELEC Internal Regulations which stipulate the conditions for giving this European Standard the status of a national standard without any alteration.

This draft European Standard was established by CEN in three official versions (English, French, German). A version in any other language made by translation under the responsibility of a CEN member into its own language and notified to the CEN-CENELEC Management Centre has the same status as the official versions.

CEN members are the national standards bodies of Austria, Belgium, Bulgaria, Croatia, Cyprus, Czech Republic, Denmark, Estonia, Finland, Former Yugoslav Republic of Macedonia, France, Germany, Greece, Hungary, Iceland, Ireland, Italy, Latvia, Lithuania, Luxembourg, Malta, Netherlands, Norway, Poland, Portugal, Romania, Slovakia, Slovenia, Spain, Sweden, Switzerland, Turkey and United Kingdom.

Recipients of this draft are invited to submit, with their comments, notification of any relevant patent rights of which they are aware and to provide supporting documentation.

Warning : This document is not a European Standard. It is distributed for review and comments. It is subject to change without notice and shall not be referred to as a European Standard.



EUROPEAN COMMITTEE FOR STANDARDIZATION
COMITÉ EUROPÉEN DE NORMALISATION
EUROPÄISCHES KOMITEE FÜR NORMUNG

CEN-CENELEC Management Centre: Avenue Marnix 17, B-1000 Brussels

Contents

Page

Foreword.....	3
1 Scope	4
2 Normative references	4
3 Terms and definitions	4
4 Requirements and test methods specific to aboveground swimming pool.....	8
4.1 General.....	8
4.2 Aboveground swimming pool with frame-supporting walls	8
4.2.1 Resistance to horizontal deformation	8
4.2.2 Resistance to vertical deformation	9
4.2.3 Bursting strength.....	10
4.3 Aboveground swimming pool with self-stabilising walls.....	11
4.3.1 Capacity to stop an overflow	11
4.3.2 Inflatable compartment	12
4.3.3 Stability in the event of deflation of the upper tube	12
4.3.4 Bursting strength.....	12
4.4 Mechanical strength of the membrane of a swimming pool with tubular frame and/or flexible structure	13
Bibliography	14

Foreword

This document (FprEN 16582-3:2015) has been prepared by Technical Committee CEN/TC 402 “Domestic pools and spas”, the secretariat of which is held by AFNOR.

This document is currently submitted to the Formal Vote.

This document is part of a series of standards dealing with domestic swimming pools which consist of:

- *Part 1: general requirements including safety and test methods;*
- *Part 2: specific requirements including safety and test methods for inground pools;*
- *Part 3: specific requirements including safety and test methods for aboveground pools.*

FprEN 16582-3:2015 (E)

1 Scope

This part of FprEN 16582 specifies the specific safety and quality requirements and test methods for domestic aboveground swimming pools in addition to the general requirements of FprEN 16582-1 and shall be read in conjunction with it. The requirements of this standard take priority over those in FprEN 16582-1.

These requirements and test methods are applicable to aboveground pool structures, including their means of access.

This European Standard applies to pools with a minimum water depth of more than 400 mm.

This European Standard does not apply to:

- pools of public use covered by EN 15288-1;
- paddling pools according to EN 71-8;
- domestic or public use spas.

2 Normative references

The following documents, in whole or in part, are normatively referenced in this document and are indispensable for its application. For dated references, only the edition cited applies. For undated references, the latest edition of the referenced document (including any amendments) applies.

EN 1875-3, *Rubber- or plastics- coated fabrics - Determination of tear strength - Part 3: Trapezoidal method*

EN 1990, *Eurocode - Basis of structural design*

EN ISO 1421, *Rubber- or plastics-coated fabrics - Determination of tensile strength and elongation at break (ISO 1421)*

EN ISO 2411, *Rubber- or plastics-coated fabrics - Determination of coating adhesion (ISO 2411)*

EN ISO 4674-2, *Rubber- or plastics-coated fabrics - Determination of tear resistance - Part 2: Ballistic pendulum method (ISO 4674-2)*

3 Terms and definitions

For the purposes of this document, the terms and definitions given in FprEN 16582-1 and the following apply.

3.1

frame

all of the resistant parts that support and/or reinforce the wall in view of forming the peripheral structure

Note 1 to entry: See Figure 1.

3.2

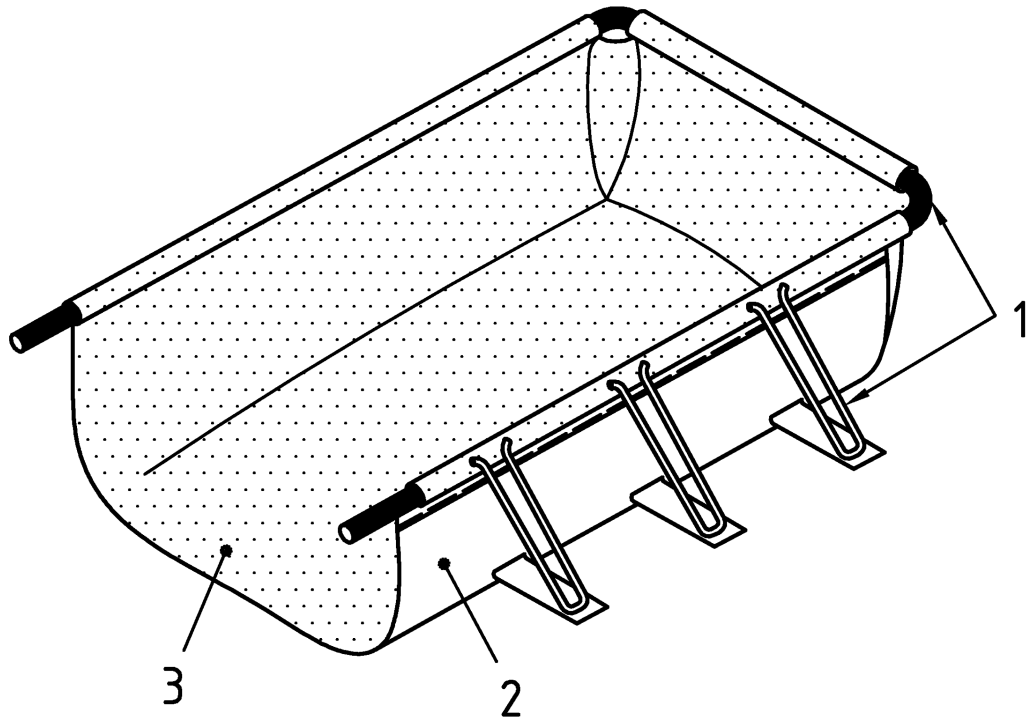
pool wall

generally upright structure serving to enclose or divide water or to protect an area

3.3**frame-supported wall**

wall whose stability is ensured solely by the constitutive elements supplied and which does not require additional reinforcement for its resistance to internal pressure (see Figure 1)

Note 1 to entry: Foundation or ground-anchoring elements are not considered as reinforcements.

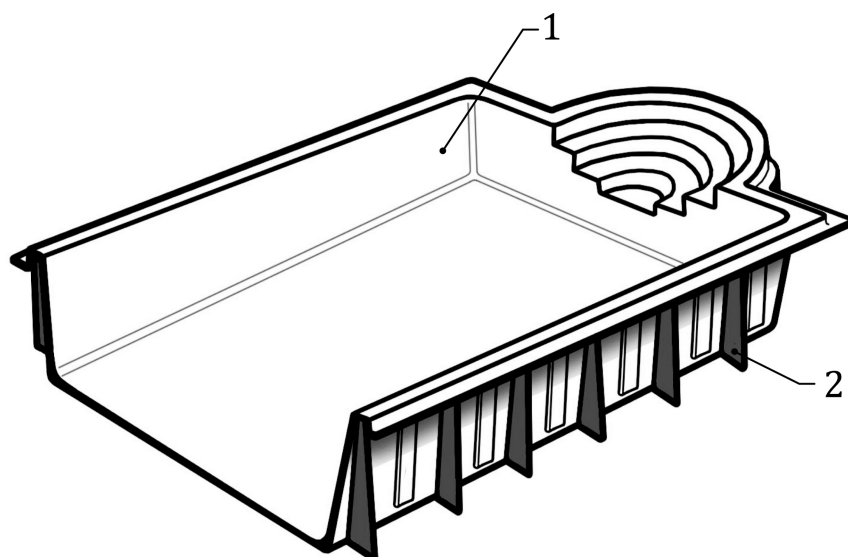


a) Case 1

Key

- 1 Frame
- 2 Structure
- 3 Waterproofing membrane (reinforced membrane)

FprEN 16582-3:2015 (E)



b) Case 2

Key

- 1 Polyester shell
- 2 Structure

Figure 1 — Example of frame-supported wall**3.4****self-stabilising wall**

generally flexible wall whose stability is ensured by the presence of water in the pool

Note 1 to entry: See Figure 2.

Note 2 to entry: Swimming pools with self-stabilising walls may be equipped with lateral devices that help maintain the product's final shape.