



SLOVENSKI STANDARD
SIST IEC/TR 60083:1999
01-september-1999

Plugs and socket-outlets for domestic and similar general use standardized in member countries of IEC

Plugs and socket-outlets for domestic and similar general use standardized in member countries of IEC

iTeh STANDARD PREVIEW

Prises de courant pour usages domestiques et analogues normalisées par les pays membres de la CEI

<https://standards.iteh.ai/catalog/standards/sist/15265e8a-9e3d-49b3-b212-17671926c629/sist-iec-tr-60083-1999>
Ta slovenski standard je istoveten z: IEC/TR 60083

ICS:

29.120.30 Xcā ěcā } & Ě [ħ ^ Plugs, socket-outlets, couplers

SIST IEC/TR 60083:1999 en

iTeh STANDARD PREVIEW
(standards.iteh.ai)

[SIST IEC/TR 60083:1999](#)

<https://standards.iteh.ai/catalog/standards/sist/15265e8a-9e3d-49b3-b212-f767192bc629/sist-iec-tr-60083-1999>

RAPPORT
TECHNIQUE – TYPE 3

TECHNICAL
REPORT – TYPE 3

**CEI
IEC**

60083

Troisième édition
Third edition
1997-08

**Prises de courant pour usages domestiques
et analogues normalisées par les pays membres
de la CEI**

**Plugs and socket outlets for domestic and
similar general use standardized in member
countries of IEC**

SIST IEC/TR 60083:1999

<https://standards.iteh.ai/catalog/standards/sist/15265e8a-9e3d-49b3-b212-f767192bc629/sist-iec-tr-60083-1999>

© IEC 1997 Droits de reproduction réservés — Copyright - all rights reserved

Aucune partie de cette publication ne peut être reproduite ni utilisée sous quelque forme que ce soit et par aucun procédé, électronique ou mécanique, y compris la photocopie et les microfilms, sans l'accord écrit de l'éditeur.

No part of this publication may be reproduced or utilized in any form or by any means, electronic or mechanical, including photocopying and microfilm, without permission in writing from the publisher.

International Electrotechnical Commission
Telefax: +41 22 919 0300

3, rue de Varembé Geneva, Switzerland
e-mail: inmail@iec.ch IEC web site <http://www.iec.ch>



Commission Electrotechnique Internationale
International Electrotechnical Commission
Международная Электротехническая Комиссия

CODE PRIX XG
PRICE CODE

*Pour prix, voir catalogue en vigueur
For price, see current catalogue*

CONTENTS

Foreword	5
Introduction	9
National systems used in	section
Australia.....	AU
Austria	AT
Belarus (information not available)	
Belgium.....	BE
Bulgaria (information not available)	
Canada	CA
China	CN
Croatia (information not available)	
Czech Republic	CZ
Denmark.....	DK
Egypt (information not available)	
Finland.....	FI
France	FR
Germany.....	DE
Greece (information not available)	
Hungary (information not available)	
India (information not available)	
Indonesia (information not available)	
Ireland (information not available)	
Israel (information not available)	
Italy	IT
Japan	JP
Korea (Republic of) (information not available)	
Luxembourg (information not available)	
Malaysia (information not available)	
Mexico (information not available)	
Netherlands	NL
New Zealand	NZ
Norway	NO
Pakistan (information not available)	
Poland.....	PO
Portugal	PT
Romania (information not available)	
Russia (information not available)	
Singapore (information not available)	
Slovakia.....	SK
Slovenia (information not available)	
South Africa (information not available)	
Spain	ES
Sweden.....	SE
Switzerland	CH
Thailand (information not available)	
Turkey (information not available)	
Ukraine (information not available)	
United Kingdom	GB
United States of America.....	US
Yugoslavia (information not available)	
Annex A – Instructions for additional contributions and revisions	I

INTERNATIONAL ELECTROTECHNICAL COMMISSION

**PLUGS AND SOCKET-OUTLETS FOR DOMESTIC AND
SIMILAR GENERAL USE STANDARDIZED IN MEMBER
COUNTRIES OF IEC**

FOREWORD

- 1) The IEC (International Electrotechnical Commission) is a worldwide organization for standardization comprising all national electrotechnical committees (IEC National Committees). The object of the IEC is to promote international co-operation on all questions concerning standardization in the electrical and electronic fields. To this end and in addition to other activities, the IEC publishes International Standards. Their preparation is entrusted to technical committees; any IEC National Committee interested in the subject dealt with may participate in this preparatory work. International, governmental and non-governmental organizations liaising with the IEC also participate in this preparation. The IEC collaborates closely with the International Organization for Standardization (ISO) in accordance with conditions determined by agreement between the two organizations.
- 2) The formal decisions or agreements of the IEC on technical matters express, as nearly as possible, an international consensus of opinion on the relevant subjects since each technical committee has representation from all interested National Committees.
- 3) The documents produced have the form of recommendations for international use and are published in the form of standards, technical reports or guides and they are accepted by the National Committees in that sense.
- 4) In order to promote international unification, IEC National Committees undertake to apply IEC International Standards transparently to the maximum extent possible in their national and regional standards. Any divergence between the IEC Standard and the corresponding national or regional standard shall be clearly indicated in the latter.
- 5) The IEC provides no marking procedure to indicate its approval and cannot be rendered responsible for any equipment declared to be in conformity with one of its standards.
- 6) Attention is drawn to the possibility that some of the elements of this International Standard may be the subject of patent rights. The IEC shall not be held responsible for identifying any or all such patent rights.

The main task of IEC technical committees is to prepare International Standards. In exceptional circumstances, a technical committee may propose the publication of a technical report of one of the following types:

- type 1, when the required support cannot be obtained for the publication of an International Standard, despite repeated efforts;
- type 2, when the subject is still under technical development or where for any other reason there is the future but no immediate possibility of an agreement on an International Standard;
- type 3, when a technical committee has collected data of a different kind from that which is normally published as an International Standard, for example "state of the art".

Technical reports of types 1 and 2 are subject to review within three years of publication to decide whether they can be transformed into International Standards. Technical reports of type 3 do not necessarily have to be reviewed until the data they provide are considered to be no longer valid or useful.

IEC 60083, which is a technical report of type 3, has been prepared by subcommittee 23B: Plugs, socket-outlets and switches, of IEC technical committee 23: Electrical accessories.

The text of this technical report is based on the following documents:

Committee draft	Report on voting
23B/488/CDV	23B/514/RVC

Full information on the voting for the approval of this technical report can be found in the report on voting indicated in the above table.

This third edition cancels and replaces the second edition published in 1975.

iTeh STANDARD PREVIEW **(standards.iteh.ai)**

[SIST IEC/TR 60083:1999](#)

<https://standards.iteh.ai/catalog/standards/sist/15265e8a-9e3d-49b3-b212-f767192bc629/sist-iec-tr-60083-1999>

INTRODUCTION

This technical report shows the great variety of systems in use today. In order to reduce this variety in future, even though such a change may take many years, it is advised that the recommendations in IEC 60906-1 and IEC 60906-2 be followed:

"that any country in need of a new or a replacement system adopt this standard as its future National Standard."

The content of this report is based on the information submitted by the National Committees of IEC which are responsible for the accuracy of the information given. Any revision caused by amendments and additions as a consequence of further development of their National System(s) or introduction of a different system should be notified to the IEC Central Office.

For additional contributions or revisions of already submitted information, reference is made to annex A which contains the instructions for submitting material to this technical report. National Committees are asked to follow the instructions precisely in order to obtain a uniform presentation in this report.

The IEC Central Office will maintain a register of the revised information received from National Committees.

iTeh STANDARD PREVIEW (standards.iteh.ai)

[SIST IEC/TR 60083:1999](#)

<https://standards.iteh.ai/catalog/standards/sist/15265e8a-9e3d-49b3-b212-f767192bc629/sist-iec-tr-60083-1999>

PLUGS AND SOCKET-OUTLETS FOR DOMESTIC AND SIMILAR GENERAL USE STANDARDIZED IN MEMBER COUNTRIES OF IEC

1 Scope

The object of this technical report is to give general information about the systems of plugs and socket-outlets for household and similar purposes which are used in the IEC countries. The report only contains National Systems which are commonly used in homes and offices. It is therefore limited to systems for a.c. with a rated voltage above 50 V but not exceeding 440 V, intended for household and similar purposes, either indoors or outdoors.

The report only contains systems for which standard sheets have been published in a National Standard, which may be a National Standard of the country itself or any other IEC member country.


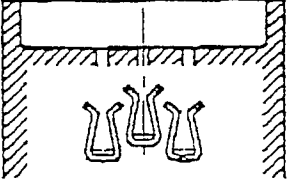
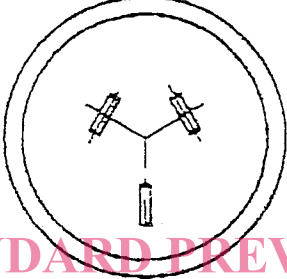
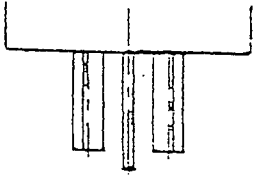
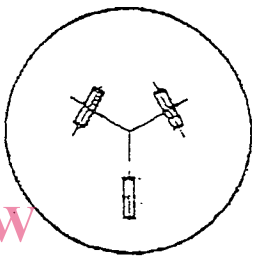

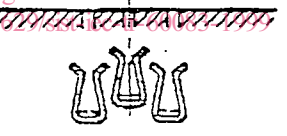
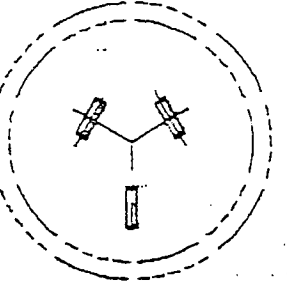
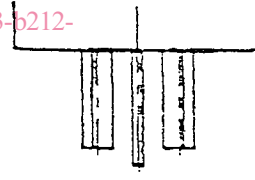
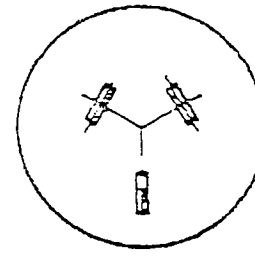
2 List of plugs and socket-outlets which are used in IEC member countries

The following sheets give the national systems used in IEC member countries.

iTeh STANDARD PREVIEW
(standards.iteh.ai)

[SIST IEC/TR 60083:1999](https://standards.iteh.ai/catalog/standards/sist/15265e8a-9e3d-49b3-b212-f767192bc629/sist-iec-tr-60083-1999)

<https://standards.iteh.ai/catalog/standards/sist/15265e8a-9e3d-49b3-b212-f767192bc629/sist-iec-tr-60083-1999>


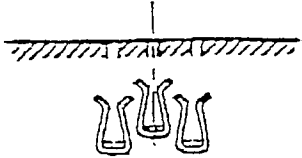
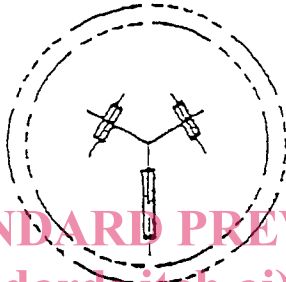
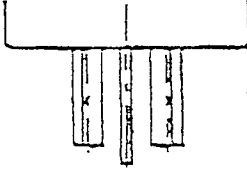
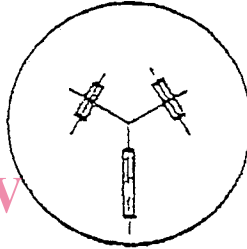
IEC 60083	NATIONAL SYSTEM USED IN AUSTRALIA		AU 1 OF AU 2	
			Date: 1998-11-01	
Number of poles.	Rated values of accessory		Sketch designations	
	Voltage V	Current A	Socket-outlets:	Plugs:
2P+ 	250	10	  Portable	 
2P+ 	250	10	  Fixed	 

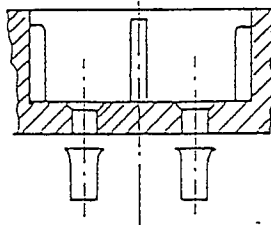
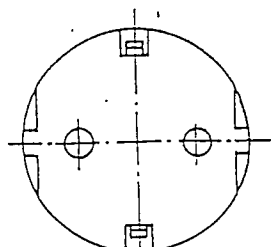
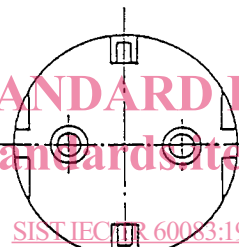
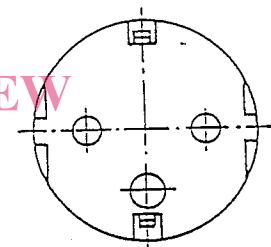
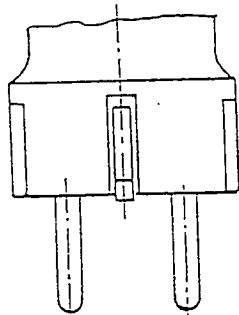
iTech STANDARD PREVIEW
(standards.itech.ai)

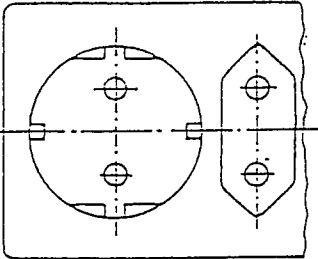
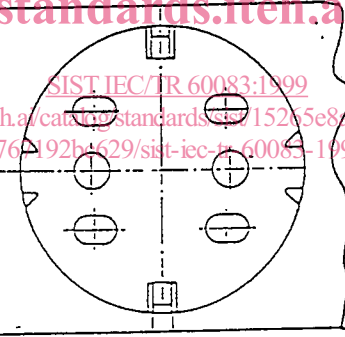
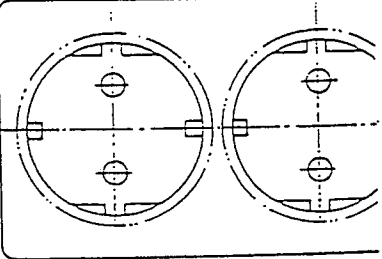
SIST IEC/TR 60083:1999
<https://standards.itech.ai/catalog/standards/sist/15265e8a-9e3d-49b3-b212-f76719267224/iec-60083-1997>

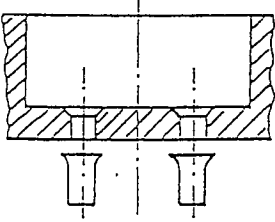
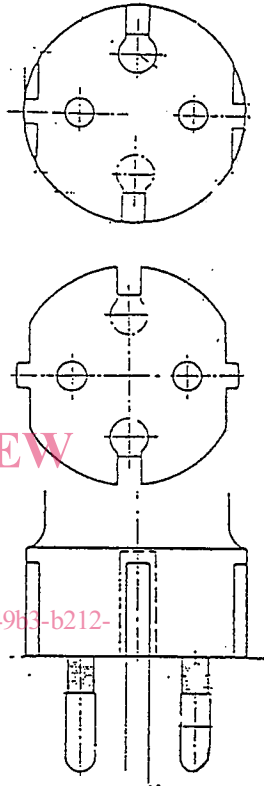
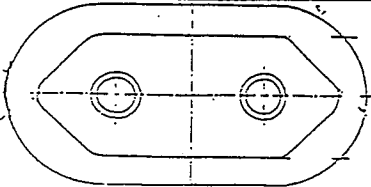
Portable socket-outlets for cards are specified in AS/NZS 3120. AS/NZS 3112 provides for a two pin 10A plug which has the same shape as the three pin 10A plug but no earth pin. A 10A plug is compatible with a 15A socket-outlet. A 15A plug is prevented from entering a 10A socket-outlet by the size of the earth pin.

For reference and further information, see AU 2

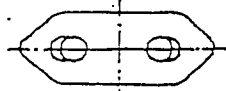
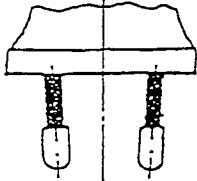
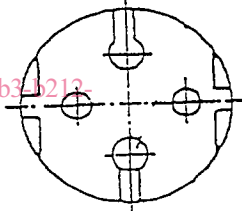
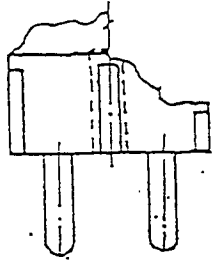
IEC 60083	NATIONAL SYSTEM USED IN AUSTRALIA		AU 2 OF AU 2	
			Date: 1996-11-01	
Number of poles	Rated values of accessory		Sketch designations	
	Voltage V	Current A	Socket-outlets	Plugs
2P+ 	250	15	  Portable and fixed SIST IEC/TR 60083:1999 https://standards.iteh.ai/catalog/standards/sist/15265e8a-9e3d-49b3-b212-f767192bc629/sist-iec-tr-60083-1999	 
Reference of National Standard or Regulation: AS/NZS 3112 Figures 2.1 and 3.5 AS/NZS 3120 Figure 1				
Further information obtainable from:	Standards Australia PO Box 1055 Strathfield NSW 2135 Australia		Telephone: +61 29745 4700 Telefax: +61 29745 8450 Telex:	
Distribution and subscription from:	Standards Australia PO Box 1055 Strathfield NSW 2135 Australia		Telephone: +61 29745 4700 Telefax: +61 29745 8450 Telex:	

IEC 60083	NATIONAL SYSTEM USED IN AUSTRIA		AT 1 of AT 5 Date: 1994-06-13	
	Number of Poles	Rated Values of Accessory		Sketch Designations
		Voltage V	Current A	Socket-outlets
2P + T	250	10/16 or 16~		
				
<p>iTeh STANDARD PREVIEW (standards.iteh.ai)</p> <p>SIST IEC/TR 60083:1999 https://standards.iteh.ai/catalog/standards/sist/15265e8a-9e3d-49b3-b212-f767192bc629/sist-iec-tr-60083-1999</p> <p>ÖNORM E 6622 part 1 Typ A ÖNORM E 6622 part 2 Typ B ÖNORM E 6622 part 4 (portable) ÖNORM E 6622 part 9 (shutter) ÖNORM E 6622 part 10 (for incorporating)</p>				
				 <p>ÖNORM E 6623</p>
2P+T	250	10/16 or 16~	ÖNORM E 6622 part 8 splashproof portable	ÖNORM E 6622 part 7 (splashproof, portable)
<p>For reference and further information, see AT 5</p>				

IEC 60083	NATIONAL SYSTEM USED IN		AT 2 of AT 5	
	AUSTRIA		Date: 1994-06-13	
Number of Poles	Rated Values of Accessory		Sketch Designations	
	Voltage V	Current A	Socket-outlets	Plugs
2P+T	250	2,5+ 10/16 or 16~	 <p>ÖNORM E 6622 part 3</p>	
	250	2,5+ 10/16 or 16~	 <p>ÖNORM E 6622 part 3</p>	
	250	10/16 or 16~	 <p>ÖNORM E 6622 part 3</p>	
PORTABLE SOCKET OUTLET				
For reference and further information, see AT 5				

IEC 60083	NATIONAL SYSTEM USED IN AUSTRIA		AT 3 of AT 5 Date: 1994-06-13		
	Number of Poles	Rated Values of Accessory		Sketch Designations	
	Voltage V	Current A	Socket-outlets	Plugs	
2P	250	10/16 or 16~	 <p>ÖNORM E 6621 part 1</p>	 <p>ÖNORM E 6624</p>	
2P	250	10/16 or 16~		ÖNORM E 6622 part 6 (splashproof, portable)	
2P	250	2,5		Ö NORME 6622-11 (portable)	

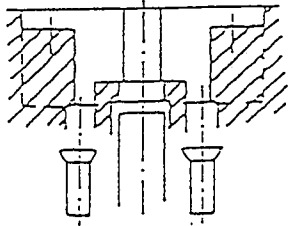
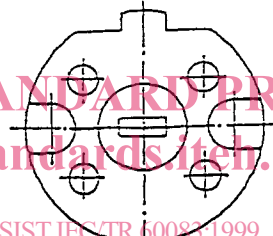
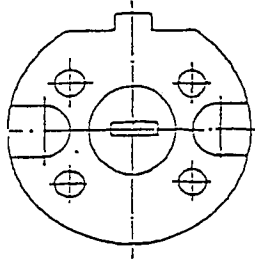
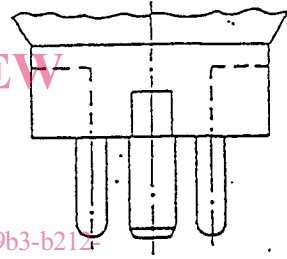
For reference and further information, see AT 5

IEC 60083	NATIONAL SYSTEM USED IN AUSTRIA		AT 4 of AT 5	
			Date: 1994-06-13	
Number of Poles	Rated Values of Accessory		Sketch Designations	
	Voltage V	Current A	Socket-outlets	Plugs
2P	250	2,5		  ÖVE-IG EN 50075
				  ÖNORM E 6620
<p>plug of page 4 is compatible with socket outlet of page 1</p>				
<p>For reference and further information, see AT 5</p>				

iTeh STANDARD PREVIEW
(standards.iteh.ai)

SIST IEC/TR 60083:1999

<https://standards.iteh.ai/catalog/standards/sist/15265e8a-9e3d-49b3-b213-f767192bc629/sist-iec-tr-60083-1999>

IEC 60083	NATIONAL SYSTEM USED IN AUSTRIA		AT 5 of AT 5	
			Date: 1994-06-13	
Number of Poles	Rated Values of Accessory		Sketch Designations	
	Voltage V	Current A	Socket-outlets	Plugs
3P+N+T	230/400	16	  <p>SIST IEC/TR 60083:1999 https://standards.iteh.ai/catalog/standards/sist/15265e8a-9e3d-49b3-b212-f767192bc629/sist-iec-tr-60083-1999</p> <p>ÖNORM E 6610</p>	  <p>ÖNORM E 6611</p>
		25	ÖNORM E 6612	ÖNORM E 6613
Reference of National Standard or Regulation: ÖVE-IG 31				
Further Information Obtainable From :				
		ÖEK Eschenbachgasse 9 A-1010 Wien	Telephone: +43 1 587 63 73 Telefax: +43 1 586 74 08 Telex:	
Distribution and Subscription From :				
		ÖEK Eschenbachgasse 9 A-1010 Wien	Telephone: +43 1 587 63 73 Telefax: +43 1 586 74 08 Telex:	