

---

**Aeronavtika - Konektorji, električni, pravokotni, modularni - Stalna delovna temperatura 175 °C - 026. del: Pribor za enojne module - Standard za izdelek**

Aerospace series - Connectors, electrical, rectangular, modular - Operating temperature 175 °C continuous - Part 026: Accessories for single modules - Product standard

Luft- und Raumfahrt - Elektrischer Rechtecksteckverbinder Modularbauweise - Betriebstemperatur 175 °C konstant - Teil 026: Endgehäuse, für Steckverbinder, für ein Modul - Produktnorm

(standards.iteh.ai)

Série aérospatiale - Connecteurs électriques rectangulaires, modulaires - Température d'utilisation 175 °C continu - Partie 026 : Accessoires pour connecteur mono-module - Norme de produit

**Ta slovenski standard je istoveten z: EN 4165-026:2011**

---

**ICS:**

49.060	Letalska in vesoljska električna oprema in sistemi	Aerospace electric equipment and systems
--------	--	--

**SIST EN 4165-026:2011**

**en,fr,de**

**iTeh STANDARD PREVIEW**  
**(standards.iteh.ai)**

SIST EN 4165-026:2011

<https://standards.iteh.ai/catalog/standards/sist/83a5ff09-07d3-4917-8cd1-1f5ac899444e/sist-en-4165-026-2011>

EUROPEAN STANDARD  
NORME EUROPÉENNE  
EUROPÄISCHE NORM

**EN 4165-026**

April 2011

ICS 49.060

English Version

**Aerospace series - Connectors, electrical, rectangular, modular -  
Operating temperature 175 °C continuous - Part 026:  
Accessories for single modules - Product standard**

Série aérospatiale - Connecteurs électriques  
rectangulaires, modulaires - Température d'utilisation 175  
°C continu - Partie 026 : Accessoires pour connecteur  
mono-module - Norme de produit

Luft- und Raumfahrt - Elektrischer Rechtecksteckverbinder  
Modularbauweise - Betriebstemperatur 175 °C konstant -  
Teil 026: Endgehäuse, für Steckverbinder, für ein Modul -  
Produktnorm

This European Standard was approved by CEN on 12 February 2011.

CEN members are bound to comply with the CEN/CENELEC Internal Regulations which stipulate the conditions for giving this European Standard the status of a national standard without any alteration. Up-to-date lists and bibliographical references concerning such national standards may be obtained on application to the CEN-CENELEC Management Centre or to any CEN member.

This European Standard exists in three official versions (English, French, German). A version in any other language made by translation under the responsibility of a CEN member into its own language and notified to the CEN-CENELEC Management Centre has the same status as the official versions.

CEN members are the national standards bodies of Austria, Belgium, Bulgaria, Croatia, Cyprus, Czech Republic, Denmark, Estonia, Finland, France, Germany, Greece, Hungary, Iceland, Ireland, Italy, Latvia, Lithuania, Luxembourg, Malta, Netherlands, Norway, Poland, Portugal, Romania, Slovakia, Slovenia, Spain, Sweden, Switzerland and United Kingdom.



EUROPEAN COMMITTEE FOR STANDARDIZATION  
COMITÉ EUROPÉEN DE NORMALISATION  
EUROPÄISCHES KOMITEE FÜR NORMUNG

**Management Centre: Avenue Marnix 17, B-1000 Brussels**

<b>Contents</b>		Page
Foreword.....		3
1	Scope .....	4
2	Normative references .....	4
3	Terms and definitions .....	4
4	Required characteristics .....	5
4.1	Accessories for shield termination single module connector .....	5
4.2	Class .....	14
5	Designation .....	15
6	Marking .....	15
7	Technical specification .....	15

**iTeh STANDARD PREVIEW**  
**(standards.iteh.ai)**

[SIST EN 4165-026:2011](https://standards.iteh.ai/catalog/standards/sist/83a5ff09-07d3-4917-8cd1-1f5ac899444e/sist-en-4165-026-2011)

<https://standards.iteh.ai/catalog/standards/sist/83a5ff09-07d3-4917-8cd1-1f5ac899444e/sist-en-4165-026-2011>

## Foreword

This document (EN 4165-026:2011) has been prepared by the Aerospace and Defence Industries Association of Europe - Standardization (ASD-STAN).

After enquiries and votes carried out in accordance with the rules of this Association, this Standard has received the approval of the National Associations and the Official Services of the member countries of ASD, prior to its presentation to CEN.

This European Standard shall be given the status of a national standard, either by publication of an identical text or by endorsement, at the latest by October 2011, and conflicting national standards shall be withdrawn at the latest by October 2011.

Attention is drawn to the possibility that some of the elements of this document may be the subject of patent rights. CEN [and/or CENELEC] shall not be held responsible for identifying any or all such patent rights.

According to the CEN/CENELEC Internal Regulations, the national standards organizations of the following countries are bound to implement this European Standard: Austria, Belgium, Bulgaria, Croatia, Cyprus, Czech Republic, Denmark, Estonia, Finland, France, Germany, Greece, Hungary, Iceland, Ireland, Italy, Latvia, Lithuania, Luxembourg, Malta, Netherlands, Norway, Poland, Portugal, Romania, Slovakia, Slovenia, Spain, Sweden, Switzerland and the United Kingdom.

**ITEH STANDARD PREVIEW**  
**(standards.iteh.ai)**

SIST EN 4165-026:2011

<https://standards.iteh.ai/catalog/standards/sist/83a5ff09-07d3-4917-8cd1-1f5ac899444e/sist-en-4165-026-2011>

**EN 4165-026:2011 (E)****1 Scope**

This European Standard defines accessories for shield termination of single modules connectors used in the family of rectangular electrical connectors.

**2 Normative references**

The following referenced documents are indispensable for the application of this document. For dated references, only the edition cited applies. For undated references, the latest edition of the referenced document (including any amendments) applies.

EN 2424, *Aerospace series — Marking of aerospace products*

EN 3660-033, *Aerospace series — Cable outlet accessories for circular and rectangular electrical and optical connectors — Part 033: Banding bands, style Z, for attachment of screens to cable outlets — Product standard*<sup>1)</sup>

EN 4165-001, *Aerospace series — Connectors, electrical, rectangular, modular — Operating temperature 175 °C continuous — Part 001: Technical specification*

**3 Terms and definitions**

For the purposes of this document, the terms and definitions given in EN 4165-001 apply.

**iTeh STANDARD PREVIEW**  
**(standards.iteh.ai)**

SIST EN 4165-026:2011

<https://standards.iteh.ai/catalog/standards/sist/83a5ff09-07d3-4917-8cd1-1f5ac899444e/sist-en-4165-026-2011>

---

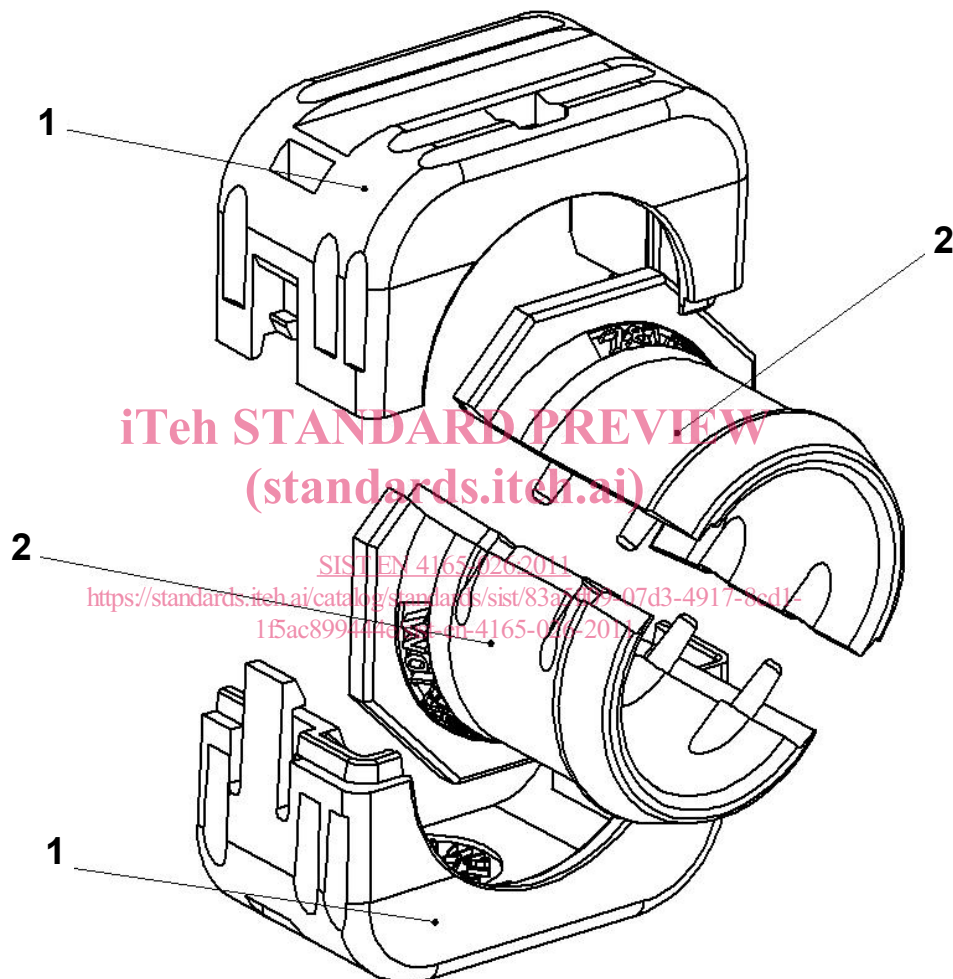
1) In preparation at the date of publication of this standard.

## 4 Required characteristics

### 4.1 Accessories for shield termination single module connector

See attachment principle on Figure 1.

Always delivered with attachment system.



#### Key

- 1 Accessory attachment system consisting of half clips.
- 2 Accessory system consisting of two half sections permitting the termination of shielding using EN 3660-033 banding strap or equivalent.

In case of 45° and 90° accessories, numbering system permit to give indication of angular position of the accessory.

Figure 1

EN 4165-026:2011 (E)

See Figures 2, 3 and 4.

Dimensions are in millimetres.

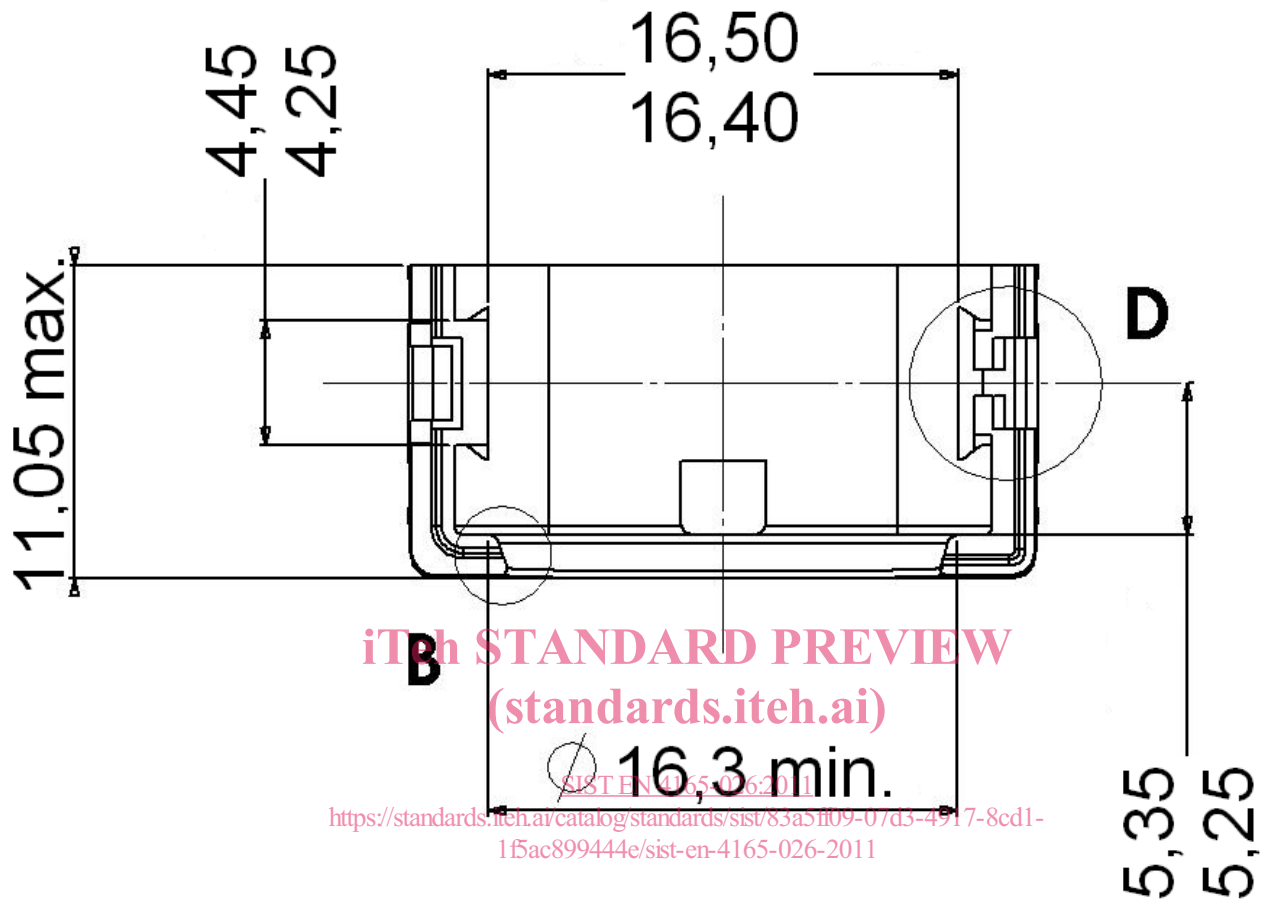


Figure 2



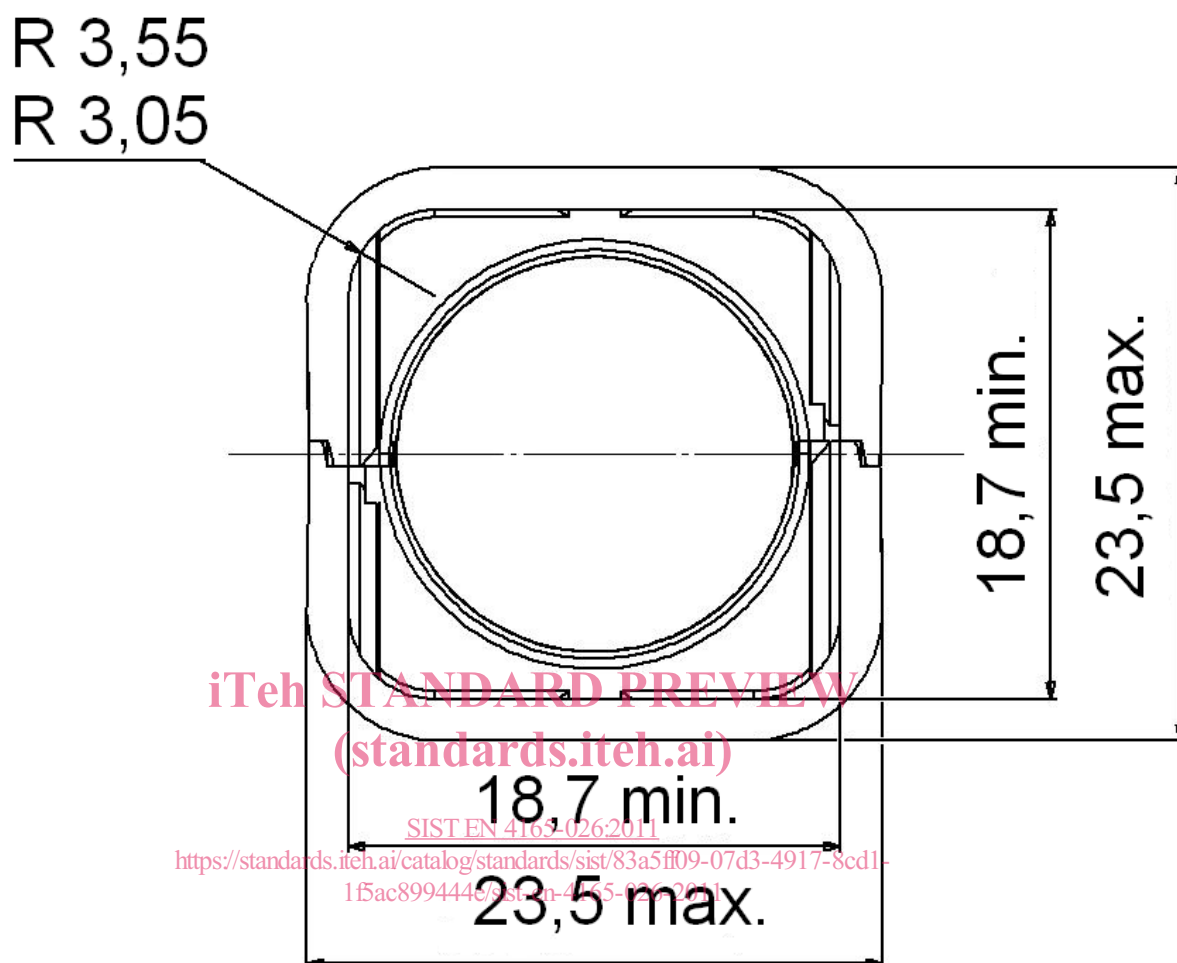


Figure 3