
**Fork-lift trucks — Fork arms — Technical
characteristics and testing**

*Chariots élévateurs à fourches — Bras de fourche — Caractéristiques
techniques et essais*

iTeh Standards
(<https://standards.itih.ai>)
Document Preview

[ISO 2330:2002](#)

<https://standards.itih.ai/catalog/standards/iso/6f5c9836-c784-4385-9712-34cfid5db712f/iso-2330-2002>



PDF disclaimer

This PDF file may contain embedded typefaces. In accordance with Adobe's licensing policy, this file may be printed or viewed but shall not be edited unless the typefaces which are embedded are licensed to and installed on the computer performing the editing. In downloading this file, parties accept therein the responsibility of not infringing Adobe's licensing policy. The ISO Central Secretariat accepts no liability in this area.

Adobe is a trademark of Adobe Systems Incorporated.

Details of the software products used to create this PDF file can be found in the General Info relative to the file; the PDF-creation parameters were optimized for printing. Every care has been taken to ensure that the file is suitable for use by ISO member bodies. In the unlikely event that a problem relating to it is found, please inform the Central Secretariat at the address given below.

iTeh Standards
(<https://standards.iteh.ai>)
Document Preview

ISO 2330:2002

<https://standards.iteh.ai/catalog/standards/iso/6f5c9836-c784-4385-9712-34cfd5db712f/iso-2330-2002>

© ISO 2002

All rights reserved. Unless otherwise specified, no part of this publication may be reproduced or utilized in any form or by any means, electronic or mechanical, including photocopying and microfilm, without permission in writing from either ISO at the address below or ISO's member body in the country of the requester.

ISO copyright office
Case postale 56 • CH-1211 Geneva 20
Tel. + 41 22 749 01 11
Fax + 41 22 749 09 47
E-mail copyright@iso.ch
Web www.iso.ch

Printed in Switzerland

Foreword

ISO (the International Organization for Standardization) is a worldwide federation of national standards bodies (ISO member bodies). The work of preparing International Standards is normally carried out through ISO technical committees. Each member body interested in a subject for which a technical committee has been established has the right to be represented on that committee. International organizations, governmental and non-governmental, in liaison with ISO, also take part in the work. ISO collaborates closely with the International Electrotechnical Commission (IEC) on all matters of electrotechnical standardization.

International Standards are drafted in accordance with the rules given in the ISO/IEC Directives, Part 3.

Draft International Standards adopted by the technical committees are circulated to the member bodies for voting. Publication as an International Standard requires approval by at least 75 % of the member bodies casting a vote.

Attention is drawn to the possibility that some of the elements of this International Standard may be the subject of patent rights. ISO shall not be held responsible for identifying any or all such patent rights.

International Standard ISO 2330 was prepared by Technical Committee ISO/TC 110, *Industrial trucks*, Subcommittee SC 2, *Safety of powered industrial trucks*.

This third edition cancels and replaces the second edition (ISO 2330:1995), of which it constitutes a minor revision. The Scope has been modified.

iteh Standards
(<https://standards.iteh.ai>)
Document Preview

[ISO 2330:2002](https://standards.iteh.ai/catalog/standards/iso/6f5c9836-c784-4385-9712-34cfid5db712f/iso-2330-2002)

<https://standards.iteh.ai/catalog/standards/iso/6f5c9836-c784-4385-9712-34cfid5db712f/iso-2330-2002>

Fork-lift trucks — Fork arms — Technical characteristics and testing

1 Scope

This International Standard specifies manufacturing, testing and marking requirements for solid-section fork arms, for quantity production and with all types of mounting. These include, but are not limited to, hook, shaft or pin, bolt-on and roller type fork arms.

By agreement between the fork arm manufacturer and the purchaser, these requirements may also be applied to fork arms not intended for quantity manufacture.

2 Normative references

The following normative documents contain provisions which, through reference in this text, constitute provisions of this International Standard. For dated references, subsequent amendments to, or revisions of, any of these publications do not apply. However, parties to agreements based on this International Standard are encouraged to investigate the possibility of applying the most recent editions of the normative documents indicated below. For undated references, the latest edition of the normative document referred to applies. Members of ISO and IEC maintain registers of currently valid International Standards.

ISO 148:1983, *Steel — Charpy impact test (V-notch)*

ISO 683-1:1987, *Heat-treatable steels, alloy steels and free-cutting steels — Part 1: Direct-hardening unalloyed and low-alloyed wrought steel in form of different black products*

ISO 2328:1993, *Fork-lift trucks — Hook-on type fork arms and fork arm carriages — Mounting dimensions*

ISO 2331:1974, *Fork lift trucks — Hook-on type fork arms — Vocabulary*

3 Terms and definitions

For the purposes of this International Standard, the terms and definitions given in ISO 2331 and the following apply.

3.1

prototype fork arm

fork arm intended for quantity production where any combination of the blade, shank cross-section, material specification, hook or fork heel design is new to production

4 Manufacture

The fork arms shall be manufactured from material of solid cross-section.

5 Testing

5.1 A prototype fork arm shall be subjected to, and meet the requirements of, the yield test in clause 6 and the impact test in clause 7.

Prototype fork arms each having a specified capacity not greater than 4 000 kg and a load centre not greater than 4 000 kg × 600 mm shall be subjected to, and meet the requirements of, the fatigue test in clause 8.

5.2 The tests in clauses 6 and 7 may, by agreement between the fork arm manufacturer and the purchaser, be repeated periodically for quantity production fork arms.

6 Yield test

6.1 Test load

6.1.1 Fork arms each of specified capacity up to and including 5 500 kg

The test load F_T shall correspond to three times the specified capacity C of the fork arm.

6.1.2 Fork arms each of specified capacity greater than 5 500 kg

The test load F_T shall correspond to the specified capacity C , expressed in kilograms, of the fork arm multiplied by the safety factor R , where R is given as follows:

$$R = 3 - 0,08(Q - 10)$$

where

$$R \geq 2,5$$

$$Q = \frac{2C}{1\,000}$$

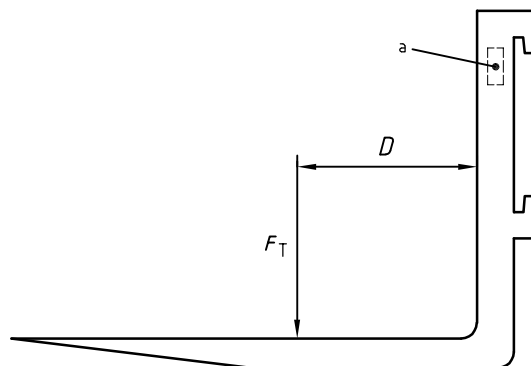
iTeh Standards
(<https://standards.itih.ai>)
Document Preview

6.2 Procedure

ISO 2330:2002

Restrain the fork arm in a manner identical to that used on the fork-lift truck. Fit the fork arm with a means of measuring any permanent deformation.

Apply the appropriate yield test load twice at the distance D from the front face of the fork arm shank (see Figure 1), gradually and without shock; maintain it for 30 s each time. For fork arms each of specified capacity below 5 500 kg and a load centre of 5 500 kg × 600 mm, D shall be taken as the appropriate rated load centre distance as specified in Table 1 of ISO 2328:1993. For fork arms each of specified capacity of 5 500 kg and above and a load centre of 5 500 kg × 600 mm, D shall be specified by the truck manufacturer.



^a Marking position (on either face).

Figure 1 — Marking position and test loads application position