



SLOVENSKI STANDARD

SIST-TS CEN/TS 16415:2013

01-marec-2013

Osebna varovalna oprema za zaščito pred padci z višine - Sidrišča - Priporočila za sidrišča, ki jih uporablja več oseb hkrati

Personal fall protection equipment - Anchor devices - Recommendations for anchor devices for use by more than one person simultaneously

Persönliche Absturzschutzausrüstung - Anschlageinrichtungen - Empfehlungen für die Benutzung von Anschlageinrichtungen gleichzeitig durch mehrere Personen

Equipements de protection individuelle contre les chutes de hauteur - Dispositifs d'ancrage - Recommandations pour les dispositifs d'ancrage utilisés simultanément par plus d'une personne

<https://standards.iteh.ai/catalog/standards/sist/bcf0de34-2336-48eb-9dfe-22965726d0e9/sist-ts-cen-ts-16415-2013>

Ta slovenski standard je istoveten z: CEN/TS 16415:2013

ICS:

13.340.60 Zaščita pred padci in zdrsi Protection against falling and slipping

SIST-TS CEN/TS 16415:2013

en,fr,de

iTeh STANDARD PREVIEW
(standards.iteh.ai)

[SIST-TS CEN/TS 16415:2013](#)

<https://standards.iteh.ai/catalog/standards/sist/bcf0de34-2336-48eb-9dfe-22965726d0e9/sist-ts-cen-ts-16415-2013>

TECHNICAL SPECIFICATION
SPÉCIFICATION TECHNIQUE
TECHNISCHE SPEZIFIKATION

CEN/TS 16415

January 2013

ICS 13.340.60

English Version

**Personal fall protection equipment - Anchor devices -
Recommendations for anchor devices for use by more than one
person simultaneously**

Equipements de protection individuelle contre les chutes -
Dispositifs d'ancrage - Recommandations relatives aux
dispositifs d'ancrage destinés à être utilisés par plusieurs
personnes simultanément

Persönliche Absturzschutzausrüstung -
Anschlageinrichtungen - Empfehlungen für die Benutzung
von Anschlagleinrichtungen gleichzeitig durch mehrere
Personen

This Technical Specification (CEN/TS) was approved by CEN on 30 July 2012 for provisional application.

The period of validity of this CEN/TS is limited initially to three years. After two years the members of CEN will be requested to submit their comments, particularly on the question whether the CEN/TS can be converted into a European Standard.

CEN members are required to announce the existence of this CEN/TS in the same way as for an EN and to make the CEN/TS available promptly at national level in an appropriate form. It is permissible to keep conflicting national standards in force (in parallel to the CEN/TS) until the final decision about the possible conversion of the CEN/TS into an EN is reached.

CEN members are the national standards bodies of Austria, Belgium, Bulgaria, Croatia, Cyprus, Czech Republic, Denmark, Estonia, Finland, Former Yugoslav Republic of Macedonia, France, Germany, Greece, Hungary, Iceland, Ireland, Italy, Latvia, Lithuania, Luxembourg, Malta, Netherlands, Norway, Poland, Portugal, Romania, Slovakia, Slovenia, Spain, Sweden, Switzerland, Turkey and United Kingdom.



EUROPEAN COMMITTEE FOR STANDARDIZATION
COMITÉ EUROPÉEN DE NORMALISATION
EUROPÄISCHES KOMITEE FÜR NORMUNG

Management Centre: Avenue Marnix 17, B-1000 Brussels

Contents

	Page
Foreword.....	4
Introduction	5
1 Scope.....	6
2 Normative references.....	6
3 Terms and definitions	6
4 Requirements	13
4.1 General	13
4.2 Specific.....	13
4.2.1 Type A anchor device	13
4.2.2 Type B anchor device	14
4.2.3 Type C anchor device – single span	14
4.2.4 Type C anchor device – multi-span.....	14
4.2.5 Type D anchor device	14
4.2.6 Type E anchor device.....	15
4.3 Marking and information.....	15
5 Test methods.....	15
5.1 Test apparatus.....	15
5.2 Type A anchor device	16
5.2.1 General	16
5.2.2 Dynamic strength and integrity	16
5.2.3 Static strength.....	17
5.3 Type B anchor device	17
5.3.1 General	17
5.3.2 Dynamic strength and integrity.....	17
5.3.3 Static strength test.....	20
5.4 Type C anchor device	22
5.4.1 General	22
5.4.2 Single span.....	23
5.4.3 Static strength test.....	24
5.4.4 Multi span	25
5.4.5 Static strength test.....	27
5.5 Type D anchor device	27
5.5.1 General test requirements	27
5.5.2 Dynamic strength and integrity	27
5.5.3 Static strength test.....	29
5.6 Type E anchor device.....	29
5.6.1 General test requirements	29
5.6.2 Dynamic performance.....	29
5.6.3 Post-arrest suspension.....	30
5.6.4 Static strength.....	31
6 Marking	31
7 Information to be supplied by the manufacturer	31
Bibliography.....	32

Figures

Figure 1 — Examples of anchor systems that include an anchor device (1 of 2).....	7
---	---

Figure 1 — Examples of anchor systems that include an anchor device (2 of 2)	8
Figure 2 — Examples of anchor systems that are not covered by this European Technical Specification	9
Figure 3 — Example of a type A anchor devices with a fixing element	11
Figure 4 — Example of a type A anchor device with a structural anchor	11
Figure 5 — Examples of type B anchor devices	12
Figure 6 — Example of a type C anchor device	12
Figure 7 — Example of a type D anchor device	13
Figure 8 — Example of a type E anchor device	13
Figure 9 — Test lanyard for 200 kg mass dynamic strength test	16
Figure 10 – Dynamic test for type B anchor devices with legs (e.g. a tripod) and an anchor point(s) not on a leg	19
Figure 11 – Dynamic test for type B anchor devices with legs (e.g. a tripod) and an anchor point on a leg	20
Figure 12 – Static strength test for type B anchor devices with legs (e.g. a tripod) and an anchor point(s) not on a leg	21
Figure 13 – Static strength test for type B anchor device with legs (e.g. a tripod) and an anchor point on a leg	22
Figure 14 — Example of a single-span type C anchor device test arrangement	24
Figure 15 — Example of a multi-span type C anchor device test arrangement without a corner anchor	25
Figure 16 — Example of a multi-span type C anchor device test arrangement with a corner anchor	26
Figure 17 — Example of a type D anchor device test arrangement including a cantilever	28
Figure 18 — Example of a type D anchor device test arrangement including a rigid anchor line joint or junction and a corner anchor	29
Figure 19 — Example of a dynamic performance test apparatus for type E anchor devices	30

iTeh STANDARD PREVIEW
(standards.iteh.ai)

SIST-TS CEN/TS 16415:2013
<https://standards.iteh.ai/catalog/standards/sist/bcf0de34-2336-48eb-9dfe-22965726d0c9/sist-ts-cen-ts-16415-2013>

CEN/TS 16415:2013 (E)**Foreword**

This document (CEN/TS 16415:2013) has been prepared by Technical Committee CEN/TC 160 “Protection against falls from height including working belts”, the secretariat of which is held by DIN.

Attention is drawn to the possibility that some of the elements of this document may be the subject of patent rights. CEN [and/or CENELEC] shall not be held responsible for identifying any or all such patent rights.

This document has been prepared under a mandate given to CEN by the European Commission and the European Free Trade Association.

According to the CEN/CENELEC Internal Regulations, the national standards organisations of the following countries are bound to announce this European Standard: Austria, Belgium, Bulgaria, Croatia, Cyprus, Czech Republic, Denmark, Estonia, Finland, Former Yugoslav Republic of Macedonia, France, Germany, Greece, Hungary, Iceland, Ireland, Italy, Latvia, Lithuania, Luxembourg, Malta, Netherlands, Norway, Poland, Portugal, Romania, Slovakia, Slovenia, Spain, Sweden, Switzerland, Turkey and the United Kingdom.

**iTeh STANDARD PREVIEW
(standards.iteh.ai)**

[SIST-TS CEN/TS 16415:2013](https://standards.iteh.ai/catalog/standards/sist/bcf0de34-2336-48eb-9dfe-22965726d0e9/sist-ts-cen-ts-16415-2013)

<https://standards.iteh.ai/catalog/standards/sist/bcf0de34-2336-48eb-9dfe-22965726d0e9/sist-ts-cen-ts-16415-2013>

Introduction

A reliable anchor device is one of the essential components in a personal fall protection system.

This Technical Specification, which gives minimum performance requirements, is intended to act as a complementary specification for existing European Standards covering components used in personal fall protection systems.

The scope and the requirements are based on the philosophy that anchor devices are rated to sustain the maximum dynamic force generated in a fall from a height by the mass of more than one person, including any equipment carried. The static strength tests are based on a minimum factor of safety of two. To allow for foreseeable misuse of equipment, this Technical Specification provides requirements and test methods for anchor devices, used in personal fall protection equipment in accordance with EN 363, even if their intended use is for restraint.

It is essential that anchor devices are designed and manufactured so that, in the foreseeable conditions of use for which they are intended, the user is able to perform the risk-related activity while being appropriately protected. Manufacturers may wish to bear these points in mind when deciding on the actual performance of their products.

iTeh STANDARD PREVIEW (standards.iteh.ai)

[SIST-TS CEN/TS 16415:2013](https://standards.iteh.ai/catalog/standards/sist/bcf0de34-2336-48eb-9dfe-22965726d0e9/sist-ts-cen-ts-16415-2013)

<https://standards.iteh.ai/catalog/standards/sist/bcf0de34-2336-48eb-9dfe-22965726d0e9/sist-ts-cen-ts-16415-2013>

CEN/TS 16415:2013 (E)

1 Scope

This Technical Specification sets out recommendations for requirements, test apparatus, test methods, marking and information supplied by the manufacturer for anchor devices intended for use by more than one user simultaneously.

This Technical Specification is not applicable to:

- anchor devices intended to allow only one user to be attached at any one time, which are covered by EN 795:2012;
- anchor devices used in any sports or recreational activity;
- equipment designed to conform to EN 516 or EN 517;
- elements or parts of structures which were installed for use other than as anchor points or anchor devices, e.g. beams, girders;
- structural anchors.

NOTE Requirements, test methods, marking and information supplied by the manufacturer for anchor devices intended for use by a single user are covered by European Standard EN 795:2012.

2 Normative references

The following documents, in whole or in part, are normatively referenced in this document and are indispensable for its application. For dated references, only the edition cited applies. For undated references, the latest edition of the referenced document (including any amendments) applies.

- EN 364:1992, *Personal protective equipment against falls from a height — Test methods*
<https://standards.iteh.ai/catalog/standards/sist/bc10de34-2336-48eb-9dfe-22965726d0e9/sist-ts-cen-ts-16415-2013>
- EN 795:2012, *Personal fall protection equipment — Anchor devices*

3 Terms and definitions

For the purposes of this document, the following terms and definitions apply.

3.1 anchor system

system intended for use as part of a personal fall protection system that incorporates an anchor point or points and/or an anchor device and/or an element and/or a fixing element and/or a structural anchor (see Figure 1)

Note 1 to entry: Anchor systems that are not intended to be removed from the structure are not covered by this European Technical Specification. See Figure 2.

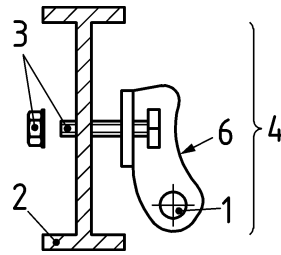


Figure 1a

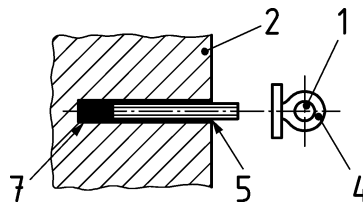


Figure 1b

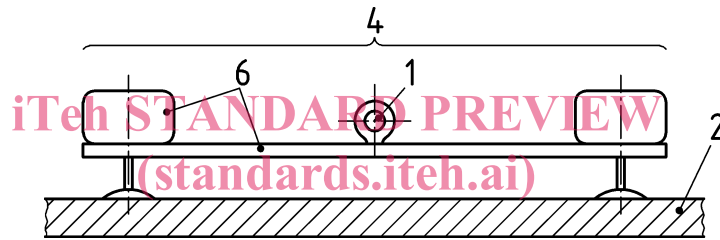


Figure 1c
<https://standards.iteh.ai/catalog/standards/sist-ts-cen-ts-16415-2013>
<https://standards.iteh.ai/catalog/standards/sist-ts-cen-ts-16415-2013>

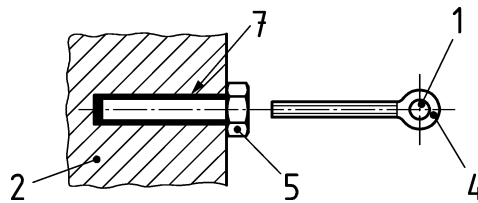


Figure 1d

Figure 1 — Examples of anchor systems that include an anchor device (1 of 2)

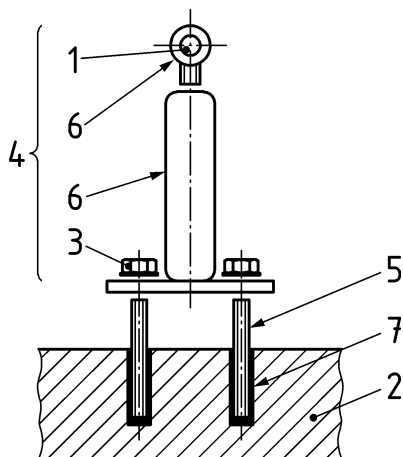


Figure 1e

Key

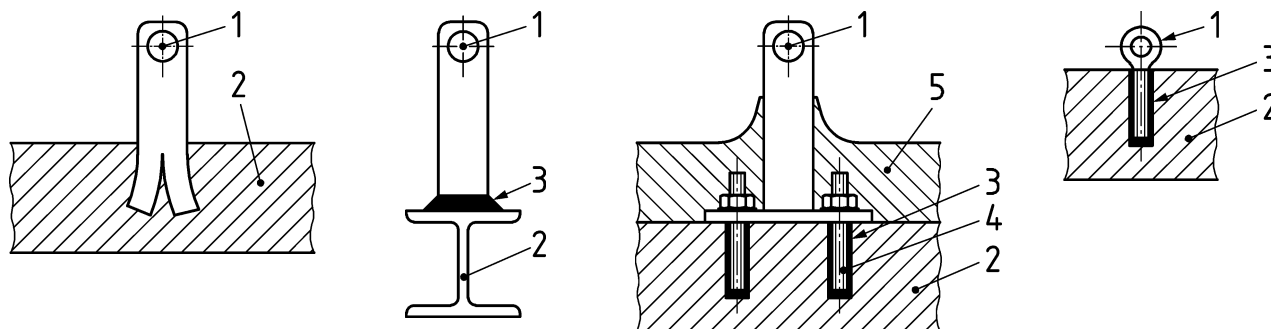
1	anchor point	4	anchor device
2	structure (not part of the anchor device)	5	structural anchor (not part of the anchor device)
3	fixing element	6	element
		7	permanent fixation (e.g. resin bonding)

iTeh STANDARD PREVIEW
(standards.iteh.ai)

[SIST-TS CEN/TS 16415:2013](https://standards.iteh.ai/catalog/standards/sist/bcf0de34-2336-48eb-9dfe-757575757575)

<https://standards.iteh.ai/catalog/standards/sist/bcf0de34-2336-48eb-9dfe-757575757575>

Figure 1 — Examples of anchor systems that include an anchor device (2 of 2)



Key

- 1 anchor point
- 2 structure
- 3 permanent fixation (e.g. studded, screwed, riveted, welded or resin bonded)
- 4 structural anchor
- 5 concrete, insulation or other covering

iTeh STANDARD PREVIEW

Figure 2 — Examples of anchor systems that are not covered by this European Technical Specification

SIST-TS CEN/TS 16415:2013

<https://standards.iteh.ai/catalog/standards/sist/bcf0de34-2336-48eb-9dfe-22965726d0e9/sist-ts-cen-ts-16415-2013>

3.2

anchor device

assembly of elements which incorporates one or more anchor points or mobile anchor points that can include a fixing element, is intended for use as part of a personal fall protection system, is removable from the structure and is intended to be part of the anchor system

3.2.1

type A anchor device

anchor device with one or more stationary anchor points, while in use, and with the need for a structural anchor(s) or fixing element(s) to fix to the structure (see Figures 3 and 4)

Note 1 to entry: Anchor points may rotate or swivel when in use, where they are designed to do so.

3.2.2

type B anchor device

anchor device with one or more stationary anchor points without the need for a structural anchor(s) or fixing element(s) to fix it to the structure (see Figure 5)

3.2.3

type C anchor device

anchor device employing a flexible anchor line which deviates from the horizontal by not more than 15° (when measured between the extremity and intermediate anchors at any point along its length) (see Figure 6)

3.2.4

type D anchor device

anchor device employing a rigid anchor line which deviates from the horizontal by not more than 15° (when measured between the extremity and intermediate anchors at any point along its length) (see Figure 7)

CEN/TS 16415:2013 (E)**3.2.5****type E anchor device**

anchor device for use on surfaces up to 5° from the horizontal where the performance relies solely on mass and friction between itself and the surface (see Figure 8)

3.3**structural anchor**

element or elements which are designed for use in conjunction with a personal fall protection system and to be permanently incorporated into a structure

Note 1 to entry: The structural anchor is not part of the anchor device.

Note 2 to entry: An example of a structural anchor is where an element is welded or resin bonded to the structure.

3.4**fixing element**

element or elements used to connect/fix the anchor device to the structure and which is removable from the structure

3.5**element**

part of an anchor system or anchor device

3.6**anchor point**

point on an anchor system where personal fall protection equipment is intended to be attached

3.7**extremity anchor**

element which connects the extremity of a flexible anchor line or rigid anchor line onto the structure

3.8**intermediate anchor**

element located between the extremity anchors, which connects a flexible anchor line or rigid anchor line onto the structure

Note 1 to entry: Intermediate supports e.g. a flexible anchor line guide, which are not intended to withstand the load are not intermediate anchors.

3.9**mobile anchor point**

element with an anchor point which is intended to travel along an anchor line

3.10**flexible anchor line**

flexible line between extremity anchors to which personal fall protection equipment can be attached either directly by a connector or through a mobile anchor point

Note 1 to entry: A flexible anchor line can be cable (wire rope), fibre rope, or webbing.

3.11**rigid anchor line**

rigid line between extremity anchors to which personal fall protection equipment can be attached either directly by a connector or through a mobile anchor point

Note 1 to entry: A rigid anchor line can be a rigid profile e.g. a rigid tube or rigid rail.