



SLOVENSKI STANDARD
SIST EN 1113:2009+A1:2011
01-maj-2011

Sanitarne armature - Gibke cevi za sanitarne armature sistemov za oskrbo z vodo tipa 1 in tipa 2 - Splošne tehnične zahteve

Sanitary tapware - Shower hoses for sanitary tapware for water supply systems of type 1 and type 2 - General technical specification

Sanitärarmaturen - Brauseschläuche für Sanitärarmaturen für Wasserversorgungssysteme vom Typ 1 und Typ 2 - Allgemeine technische Spezifikation

Robinetterie sanitaire - Flexibles de douches pour robinetterie sanitaire pour les systèmes d'alimentation type 1 et type 2 - Spécifications techniques générales

<https://standards.iteh.ai/catalog/standards/sist/99820a97-dbae-4000-8187-7a25b0f2d030/sist-en-1113-2009a1-2011>

Ta slovenski standard je istoveten z: EN 1113:2008+A1:2011

ICS:

23.040.70	Gumene cevi in armature	Hoses and hose assemblies
91.140.70	Sanitarne naprave	Sanitary installations

SIST EN 1113:2009+A1:2011

en,fr,de

iTeh STANDARD PREVIEW
(standards.iteh.ai)

SIST EN 1113:2009+A1:2011

<https://standards.iteh.ai/catalog/standards/sist/99820a97-dbae-4000-8187-7a25b0f2d030/sist-en-1113-2009a1-2011>

EUROPEAN STANDARD

EN 1113:2008+A1

NORME EUROPÉENNE

EUROPÄISCHE NORM

February 2011

ICS 23.040.70; 91.140.70

Supersedes EN 1113:2008

English Version

Sanitary tapware - Shower hoses for sanitary tapware for water supply systems of type 1 and type 2 - General technical specification

Robinetterie sanitaire - Flexibles de douches pour robinetterie sanitaire pour les systèmes d'alimentation type 1 et type 2 - Spécifications techniques générales

Sanitärarmaturen - Brauseschläuche für Sanitärarmaturen für Wasserversorgungssysteme vom Typ 1 und Typ 2 - Allgemeine technische Spezifikation

This European Standard was approved by CEN on 12 January 2008 and includes Amendment 1 approved by CEN on 9 January 2011.

CEN members are bound to comply with the CEN/CENELEC Internal Regulations which stipulate the conditions for giving this European Standard the status of a national standard without any alteration. Up-to-date lists and bibliographical references concerning such national standards may be obtained on application to the CEN-CENELEC Management Centre or to any CEN member.

This European Standard exists in three official versions (English, French, German). A version in any other language made by translation under the responsibility of a CEN member into its own language and notified to the CEN-CENELEC Management Centre has the same status as the official versions.

CEN members are the national standards bodies of Austria, Belgium, Bulgaria, Croatia, Cyprus, Czech Republic, Denmark, Estonia, Finland, France, Germany, Greece, Hungary, Iceland, Ireland, Italy, Latvia, Lithuania, Luxembourg, Malta, Netherlands, Norway, Poland, Portugal, Romania, Slovakia, Slovenia, Spain, Sweden, Switzerland and United Kingdom.

<https://standards.iteh.ai/catalog/standards/sist/99820a97-60ac-4000-8187-7a25b0f2d030/sist-en-1113-2009a1-2011>



EUROPEAN COMMITTEE FOR STANDARDIZATION
COMITÉ EUROPÉEN DE NORMALISATION
EUROPÄISCHES KOMITEE FÜR NORMUNG

Management Centre: Avenue Marnix 17, B-1000 Brussels

Contents

Foreword.....	4
Introduction	5
1 Scope	6
2 Normative references	9
3 Terms and definitions	9
4 Designation	9
5 Marking	9
6 Materials	9
6.1 Chemical and hygienic requirements	9
6.2 Exposed surface condition and quality of coating	10
7 Dimensional characteristics	10
7.1 General.....	10
7.2 Connecting dimensions.....	10
7.3 Special cases	11
8 Hydraulic characteristics	11
8.1 General.....	11
8.2 Flow rate	12
9 Mechanical and leaktightness characteristics	14
9.1 General.....	14
9.2 Tensile strength	14
9.2.1 Test method.....	14
9.2.2 Principle	14
9.2.3 Apparatus	14
9.2.4 Procedure	15
9.2.5 Requirements	15
9.3 Resistance to flexing	15
9.3.1 Test Method.....	15
9.3.2 Principle	15
9.3.3 Apparatus	15
9.3.4 Procedure	16
9.3.5 Requirement.....	17
9.4 Pressure resistance at elevated temperature	17
9.4.1 Test method.....	17
9.4.2 Principle	17

9.4.3	Apparatus	17
9.4.4	Procedure	18
9.4.5	Requirements.....	19
9.5	Leaktightness after tensile strength and resistance to flexing tests.....	19
9.5.1	Test method	19
9.5.2	Principle.....	19
9.5.3	Apparatus	19
9.5.4	Procedure	19
9.5.5	Requirements.....	19
9.6	Thermal shock test.....	19
9.6.1	Test method	19
9.6.2	Principle.....	19
9.6.3	Apparatus	19
9.6.4	Procedure	20
9.6.5	Requirements.....	20
10	Rotary connection	20
10.1	General	20
10.2	Test Method	21
10.2.1	Principle.....	21
10.2.2	Apparatus	21
10.2.3	Procedure	21
10.2.4	Requirement.....	22
	Bibliography.....	23

iTeh STANDARD PREVIEW
(standards.iteh.ai)

[SIST EN 1113:2009+A1:2011](https://standards.iteh.ai/catalog/standards/sist/99820a97-dbae-4000-8187-7a25b0f2d030/sist-en-1113-2009a1-2011)

[https://standards.iteh.ai/catalog/standards/sist/99820a97-dbae-4000-8187-](https://standards.iteh.ai/catalog/standards/sist/99820a97-dbae-4000-8187-7a25b0f2d030/sist-en-1113-2009a1-2011)

[7a25b0f2d030/sist-en-1113-2009a1-2011](https://standards.iteh.ai/catalog/standards/sist/99820a97-dbae-4000-8187-7a25b0f2d030/sist-en-1113-2009a1-2011)

EN 1113:2008+A1:2011 (E)**Foreword**

This document (EN 1113:2008+A1:2011) has been prepared by Technical Committee CEN/TC 164 "Water supply", the secretariat of which is held by AFNOR.

This European Standard shall be given the status of a national standard, either by publication of an identical text or by endorsement, at the latest by August 2011, and conflicting national standards shall be withdrawn at the latest by August 2011.

Attention is drawn to the possibility that some of the elements of this document may be the subject of patent rights. CEN [and/or CENELEC] shall not be held responsible for identifying any or all such patent rights.

This document includes Amendment 1, approved by CEN on 2011-01-09.

This document supersedes A1 EN 1113:2008 A1.

The start and finish of text introduced or altered by amendment is indicated in the text by tags A1 A1.

The scope is enlarged to include requirements for shower hoses used with water systems of type 1 and type 2. See Tables 1, 2, 3 and 4.

According to the CEN/CENELEC Internal Regulations, the national standards organizations of the following countries are bound to implement this European Standard: Austria, Belgium, Bulgaria, Croatia, Cyprus, Czech Republic, Denmark, Estonia, Finland, France, Germany, Greece, Hungary, Iceland, Ireland, Italy, Latvia, Lithuania, Luxembourg, Malta, Netherlands, Norway, Poland, Portugal, Romania, Slovakia, Slovenia, Spain, Sweden, Switzerland and United Kingdom.

Introduction

In respect of potential adverse effects on the quality of water intended for human consumption caused by the product covered by this standard.

- This standard provides no information as to whether the product may be used without restriction in any of the Member States of the EU or EFTA.
- While awaiting the adoption of verifiable European criteria, existing national regulations concerning the use and/or the characteristics of this product remain in force.

iTeh STANDARD PREVIEW (standards.iteh.ai)

[SIST EN 1113:2009+A1:2011](https://standards.iteh.ai/catalog/standards/sist/99820a97-dbae-4000-8187-7a25b0f2d030/sist-en-1113-2009a1-2011)

<https://standards.iteh.ai/catalog/standards/sist/99820a97-dbae-4000-8187-7a25b0f2d030/sist-en-1113-2009a1-2011>

EN 1113:2008+A1:2011 (E)

1 Scope

This European Standard specifies:

- the dimensional, leaktightness, mechanical and hydraulic characteristics with which shower hoses shall comply;
- the procedures for testing these characteristics.

This European Standard applies to shower hoses of any material used for ablutionary purposes and intended for equipping and supplementing sanitary tapware for baths and showers.

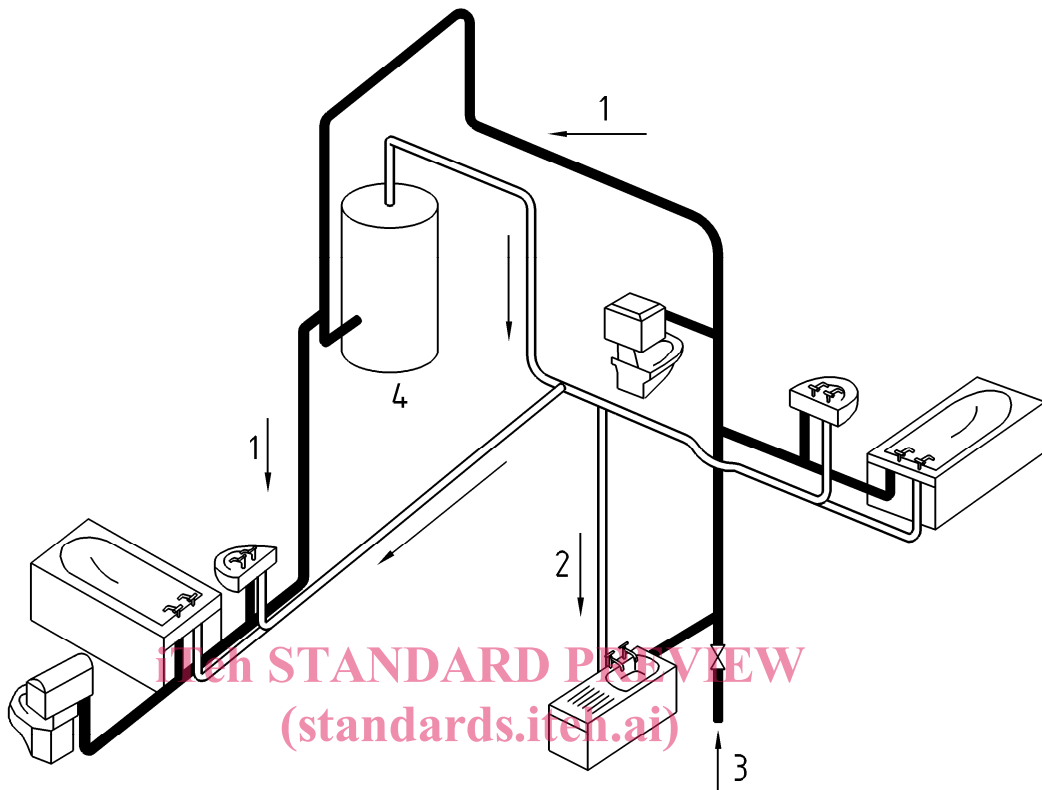
This European Standard applies to shower hoses connected downstream of the obturator of the tapware.

Hoses which are an integral part of sanitary tapware (sink and wash basin mixing valves) or hoses intended to connect sanitary tapware to the water supplies are not covered by this European Standard.

Details of pressures and temperatures are given in Table 1.

Table 1 — Conditions of use/Classifications

Water Supply system	Operating range of shower hoses		Flow rates
	Limits	Recommended	See Table 3
Type 1 see Figure 1	Dynamic Pressure 0,05 MPa to 0,5 MPa 0,5 bar to 5 bar	Dynamic Pressure (0,1 to 0,3) MPa (1,0 to 3,0) bar	Min: 0,42 l/s (25,2 l/min) at 0,3 + 0,02 MPa (3 + 0,2 bar)
Type 2 see Figure 2	Dynamic Pressure (0,01 to 0,2) MPa (0,1 to 2) bar	Dynamic Pressure (0,02 to 0,10) MPa (0,2 to 1,0) bar	Class E 0,06 l/s < Q < 0,18 l/s (3,6 l/min < Q < 10,8 l/min.) at 0,01 MPa (0,1 bar)
			Class H 0,18 l/s ≤ Q (10,8 l/min ≤ Q) at 0,01 MPa (0,1 bar)
Temperature	T ≤ 70°C	T ≤ 42°C	



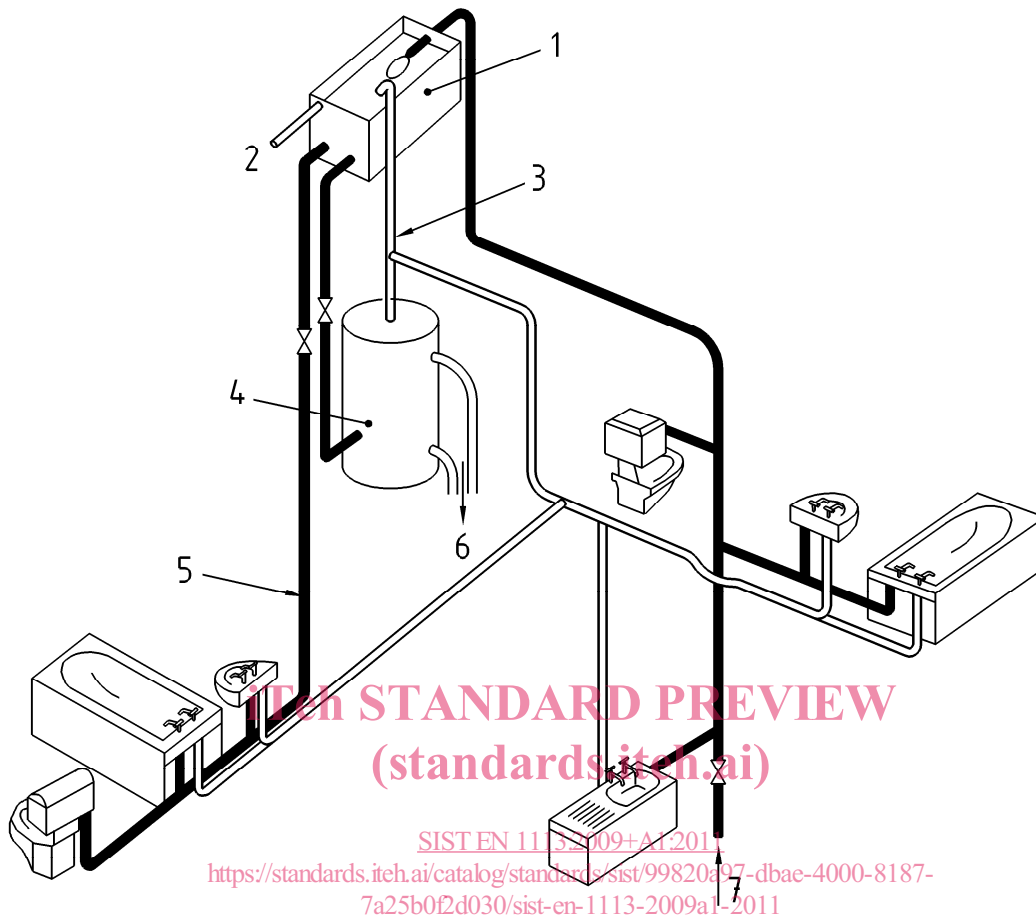
SIST EN 1113:2009+A1:2011

<https://standards.itech.ai/catalog/standards/sist/99820a97-dbae-4000-8187-7a25b0f2d030/sist-en-1113-2009a1-2011>

Key

- 1 Cold water
- 2 Hot Water
- 3 Mains supply pipe (Supply pressures up to 10 bar)
- 4 Water heater

Figure 1 — Type 1 Water supply system with a pressure range of (0,05 – 1,0) MPa (0,5 - 10) bar



Key

- 1 cold water storage cistern (cover omitted for clarity)
- 2 warning pipe
- 3 vent pipe
- 4 hot water cylinder
- 5 alternative cistern fed cold supply to sanitary appliances
- 6 to boiler
- 7 mains supply pipe (Supply pressures up to 10 bar)

**Figure 2 — Type 2 Water supply system - with a pressure range of (0,01 - 1.0) MPa, (0,1 - 10) bar.
A vented domestic hot water and cold water supply system incorporating gravity hot water, mains cold water and alternative gravity cold water supply to sanitary appliances**

2 Normative references

The following referenced documents are indispensable for the application of this document. For dated references, only the edition cited applies. For undated references, the latest edition of the referenced document (including any amendments) applies.

EN 248, *Sanitary tapware – General specification for electrodeposited coatings of Ni-Cr*

EN ISO 228-1, *Pipe threads where pressure-tight joints are not made on the threads – Part 1: Dimensions, tolerances and designation (ISO 228-1:2000)*

3 Terms and definitions

For the purposes of this document, the following terms and definitions apply.

3.1

shower hose

flexible supply pipe which connects sanitary tapware to a shower handset

4 Designation

Hoses complying with this European Standard are designated by:

- the connecting thread dimensions G 1/2 × G 1/2 or G 1/2 × G 3/4;
- reference to this European Standard: EN 1113;
- the length;
- the material of the external sheath (plastic, metal);
- the type of nuts and if conical the dimension C;
- flow rate class (see Table 1).

EXAMPLE Shower hose G 1/2, cone 26 × G 3/4, length 1,5 m, metal sheath, EN 1113, class H.

5 Marking

Hoses complying with this European Standard shall be marked permanently and legibly with the manufacturer's mark or the supplier's mark.

6 Materials

6.1 Chemical and hygienic requirements

All materials coming into contact with water intended for human consumption shall not present any risk to health at temperatures up to the maximum working temperature. They shall not cause any deterioration to water intended for human consumption in terms of quality, appearance, smell or taste.

Within the recommended limit for correct operation (see Table 1) the materials shall not undergo any change which would impair the performance of shower hoses.