



**SLOVENSKI STANDARD**  
**SIST-TP IEC/TR 60083:2009**  
**01-december-2009**

**BUXca Yý U**  
**SIST IEC/TR 60083:1999**

Jh j]b'j h b]W'nUXca U c ]b'dcXcVbc'gd'cýbc'i dcfUvcžghUbXUfX]njfUb]j`XfÿUj U  
`Ub]WU`97

Plugs and socket-outlets for domestic and similar general use standardized in member countries of IEC

**iteh STANDARD PREVIEW**  
**(standards.iteh.ai)**

[SIST-TP IEC/TR 60083:2009](https://standards.iteh.ai/catalog/standards/sist/026d4975-3d3e-4d49-9e837441c111/sist-tp-iec-tr-60083-2009)

[https://standards.iteh.ai/catalog/standards/sist/026d4975-3d3e-4d49-](https://standards.iteh.ai/catalog/standards/sist/026d4975-3d3e-4d49-9e837441c111/sist-tp-iec-tr-60083-2009)

**Ta slovenski standard je istoveten z: IEC/TR 60083:2009**

**ICS:**

29.120.30 Xcã ãcã } ã^ã [ b^ Plugs, socket-outlets, couplers

**SIST-TP IEC/TR 60083:2009 en**

**iTeh STANDARD PREVIEW**  
**(standards.iteh.ai)**

SIST-TP IEC/TR 60083:2009

<https://standards.iteh.ai/catalog/standards/sist/026d4975-3d3e-4d49-9b13-13c2e1ace837/sist-tp-iec-tr-60083-2009>

# TECHNICAL REPORT

# IEC TR 60083

Fifth edition  
2006-04

---

---

## Plugs and socket-outlets for domestic and similar general use standardized in member countries of IEC

### iTeh STANDARD PREVIEW (standards.iteh.ai)

[SIST-TP IEC/TR 60083:2009](#)

<https://standards.iteh.ai/catalog/standards/sist/026d4975-3d3e-4d49-9b13-13c2e1ace837/sist-tp-iec-tr-60083-2009>

© IEC 2006 Copyright - all rights reserved

No part of this publication may be reproduced or utilized in any form or by any means, electronic or mechanical, including photocopying and microfilm, without permission in writing from the publisher.

International Electrotechnical Commission, 3, rue de Varembe, PO Box 131, CH-1211 Geneva 20, Switzerland  
Telephone: +41 22 919 02 11 Telefax: +41 22 919 03 00 E-mail: [inmail@iec.ch](mailto:inmail@iec.ch) Web: [www.iec.ch](http://www.iec.ch)



Commission Electrotechnique Internationale  
International Electrotechnical Commission  
Международная Электротехническая Комиссия

PRICE CODE

**XJ**

*For price, see current catalogue*

## CONTENTS

Foreword.....	7
Introduction.....	9
National systems used in	section
Argentina (information not available)	
Australia.....	AU
Austria.....	AT
Belarus (information not available)	
Belgium.....	BE
Bulgaria (information not available)	
Brazil .....	BR
Canada.....	CA
China.....	CN
Croatia (information not available)	
Czech Republic.....	CZ
Denmark.....	DK
Egypt (information not available)	
Finland.....	FI
France.....	FR
Germany.....	DE
Greece (information not available)	
Hungary (information not available)	
India (information not available)	
Indonesia (information not available)	
Iran (information not available)	
Ireland (information not available)	
Israel (information not available)	
Italy.....	IT
Japan.....	JP
Korea (Republic of) .....	KR
Luxembourg (information not available)	
Malaysia.....	MY
Mexico.....	MX
Netherlands.....	NL
New Zealand.....	NZ
Norway.....	NO
Pakistan (information not available)	
Poland.....	PO
Portugal.....	PT
Romania (information not available)	
Russian Federation (information not available)	
Saudi Arabia .....	SA
Serbia and Montenegro .....	CS
Singapore.....	SG
Slovakia.....	SK
Slovenia (information not available)	
South Africa (information not available)	

Spain.....	ES
Sweden.....	SE
Switzerland.....	CH
Thailand (information not available)	
Turkey (information not available)	
Ukraine (information not available)	
United Kingdom.....	GB
United States of America.....	US

## **iTeh STANDARD PREVIEW** **(standards.iteh.ai)**

[SIST-TP IEC/TR 60083:2009](https://standards.iteh.ai/catalog/standards/sist/026d4975-3d3e-4d49-9b13-13c2e1ace837/sist-tp-iec-tr-60083-2009)

<https://standards.iteh.ai/catalog/standards/sist/026d4975-3d3e-4d49-9b13-13c2e1ace837/sist-tp-iec-tr-60083-2009>

## INTERNATIONAL ELECTROTECHNICAL COMMISSION

**PLUGS AND SOCKET-OUTLETS FOR DOMESTIC AND SIMILAR GENERAL  
USE STANDARDIZED IN MEMBER COUNTRIES OF IEC**

## FOREWORD

- 1) The International Electrotechnical Commission (IEC) is a worldwide organization for standardization comprising all national electrotechnical committees (IEC National Committees). The object of IEC is to promote international co-operation on all questions concerning standardization in the electrical and electronic fields. To this end and in addition to other activities, IEC publishes International Standards, Technical Specifications, Technical Reports, Publicly Available Specifications (PAS) and Guides (hereafter referred to as "IEC Publication(s)"). Their preparation is entrusted to technical committees; any IEC National Committee interested in the subject dealt with may participate in this preparatory work. International, governmental and non-governmental organizations liaising with the IEC also participate in this preparation. IEC collaborates closely with the International Organization for Standardization (ISO) in accordance with conditions determined by agreement between the two organizations.
- 2) The formal decisions or agreements of IEC on technical matters express, as nearly as possible, an international consensus of opinion on the relevant subjects since each technical committee has representation from all interested IEC National Committees.
- 3) IEC Publications have the form of recommendations for international use and are accepted by IEC National Committees in that sense. While all reasonable efforts are made to ensure that the technical content of IEC Publications is accurate, IEC cannot be held responsible for the way in which they are used or for any misinterpretation by any end user.
- 4) In order to promote international uniformity, IEC National Committees undertake to apply IEC Publications transparently to the maximum extent possible in their national and regional publications. Any divergence between any IEC Publication and the corresponding national or regional publication shall be clearly indicated in the latter.
- 5) IEC provides no marking procedure to indicate its approval and cannot be rendered responsible for any equipment declared to be in conformity with an IEC Publication.
- 6) All users should ensure that they have the latest edition of this publication.
- 7) No liability shall attach to IEC or its directors, employees, servants or agents including individual experts and members of its technical committees and IEC National Committees for any personal injury, property damage or other damage of any nature whatsoever, whether direct or indirect, or for costs (including legal fees) and expenses arising out of the publication, use of, or reliance upon, this IEC Publication or any other IEC Publications.
- 8) Attention is drawn to the Normative references cited in this publication. Use of the referenced publications is indispensable for the correct application of this publication.
- 9) Attention is drawn to the possibility that some of the elements of this IEC Publication may be the subject of patent rights. IEC shall not be held responsible for identifying any or all such patent rights.

The main task of IEC technical committees is to prepare International Standards. However, a technical committee may propose the publication of a technical report when it has collected data of a different kind from that which is normally published as an International Standard, for example "state of the art".

IEC 60083, which is a technical report, has been prepared by subcommittee 23B: Plugs, socket -outlets and switches, of IEC technical committee 23: Electrical accessories.

The fifth edition cancels and replaces the fourth edition published in 2004 and constitutes a technical revision. It includes some replacements of the sheets concerning the following countries: DK, FI, FR, DE, IT, JP, NO, SK, ES and SE. New sheets for MX and CS have been added to those of the previous edition.

The text of this technical report is based on the following documents:

Enquiry draft	Report on voting
23B/807/DTR	23B/817/RVC

Full information on the voting for the approval of this technical report can be found in the report on voting indicated in the above table.

This publication has been drafted in accordance with the ISO/IEC Directives, Part 2.

The committee has decided that the contents of this publication will remain unchanged until the maintenance result date indicated on the IEC web site under "<http://webstore.iec.ch>" in the data related to the specific publication. At this date, the publication will be

- reconfirmed,
- withdrawn,
- replaced by a revised edition, or
- amended.

## iTeh STANDARD PREVIEW (standards.iteh.ai)

[SIST-TP IEC/TR 60083:2009](https://standards.iteh.ai/catalog/standards/sist/026d4975-3d3e-4d49-9b13-13c2e1ace837/sist-tp-iec-tr-60083-2009)

<https://standards.iteh.ai/catalog/standards/sist/026d4975-3d3e-4d49-9b13-13c2e1ace837/sist-tp-iec-tr-60083-2009>

## INTRODUCTION

This technical report shows the great variety of systems in use today. In order to reduce this variety in future, even though such a change may take many years, it is advised that the recommendations in IEC 60906-1 and IEC 60906-2 be followed:

"that any country in need of a new or a replacement system adopt this standard as its future National Standard".

The content of this report is based on the information submitted by the National Committees of IEC which are responsible for the accuracy of the information given. Any revision caused by amendments and additions as a consequence of further development of their National System(s) or introduction of a different system should be notified to the IEC Central Office.

For additional contributions or revisions of already submitted information, reference is made to Annex A which contains the instructions for submitting material to this technical report. National Committees are asked to follow the instructions precisely in order to obtain a uniform presentation in this report.

The IEC Central Office will maintain a register of the revised information received from National Committees.

This fifth edition includes the following modifications to the previous edition:

Denmark	replacement of all sheets
Finland	replacement of sheet No. 4
France	replacement of all sheets
Germany	addition of new sheet No. 3
Italy	replacement of sheet No. 7
Japan	replacement of all sheets
Mexico	new sheets (1 to 11)
Norway	replacement of all sheets
Serbia and Montenegro	new sheets (1 to 3)
Slovakia	replacement of sheet No. 3
Spain	replacement of all sheets
Sweden	replacement of sheet No. 4 and 5 by a new sheet No. 4



## **PLUGS AND SOCKET-OUTLETS FOR DOMESTIC AND SIMILAR GENERAL USE STANDARDIZED IN MEMBER COUNTRIES OF IEC**

### **1 Scope and object**

The object of this technical report is to give general information about the systems of plugs and socket-outlets for household and similar purposes which are used in the IEC countries. The report only contains National Systems which are commonly used in homes and offices. It is therefore limited to systems for a.c. with a rated voltage above 50 V but not exceeding 440 V, intended for household and similar purposes, either indoors or outdoors.

The report only contains systems for which standard sheets have been published in a National Standard, which may be a National Standard of the country itself or any other IEC member country.

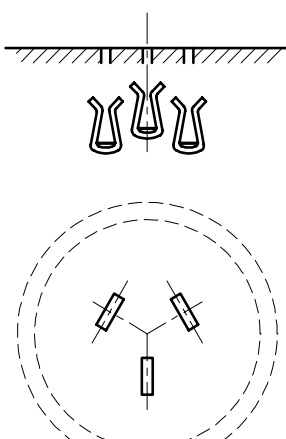
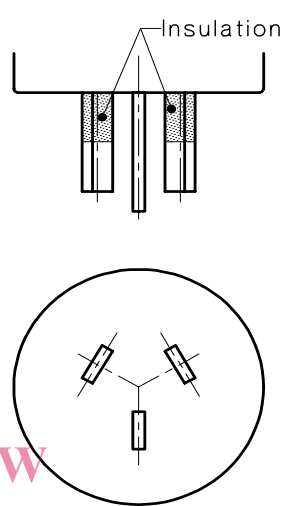
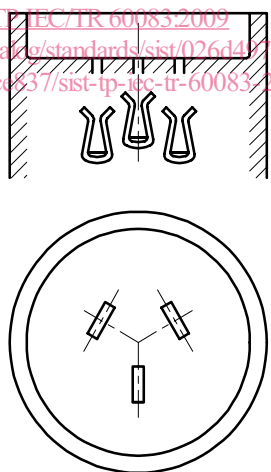
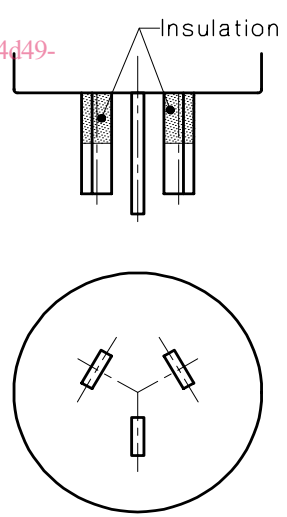
### **2 List of plugs and socket-outlets which are used in IEC member countries**

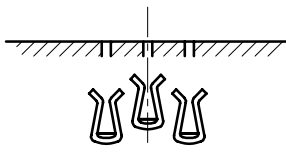

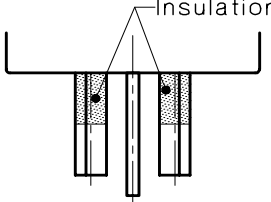
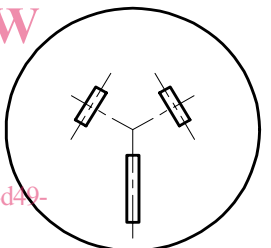
The following sheets give the national systems used in IEC member countries.

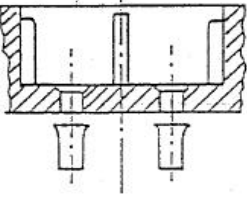
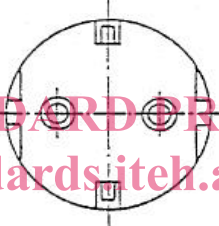
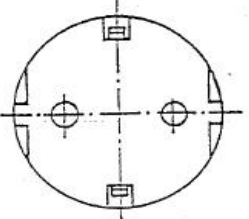
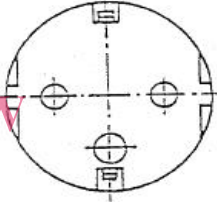
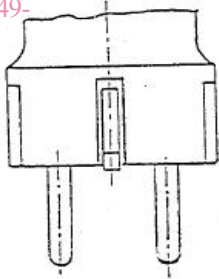
**iTeh STANDARD PREVIEW**  
**(standards.iteh.ai)**

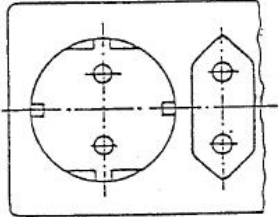

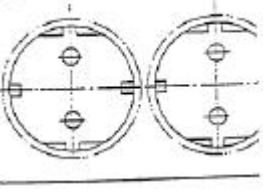
[SIST-TP IEC/TR 60083:2009](https://standards.iteh.ai/catalog/standards/sist/026d4975-3d3e-4d49-9b13-13c2e1ace837/sist-tp-iec-tr-60083-2009)

<https://standards.iteh.ai/catalog/standards/sist/026d4975-3d3e-4d49-9b13-13c2e1ace837/sist-tp-iec-tr-60083-2009>

IEC 60083	National system used in AUSTRALIA		AU 1 of AU 2	
			Date: 2006-01-25	
Number of poles	Rated values of accessories		Sketch designations	
	Voltage V	Current A	Socket-outlets	Plugs
2P+⊕	250	10	 <p>Fixed</p>	
2P+⊕	250	10	 <p>Portable</p>	
<p>Portable socket-outlets for cords are specified in AS/NZS 3120. AS/NZS 3112 provides for a two pin 10A plug which has the same shape as the three pin 10A plug but no earth pin. A 10A plug is compatible with a 15A socket-outlet. A 15A plug is prevented from entering a 10A socket-outlet by the size of the earth pin.</p>				
<p>For reference and further information, see AU2</p>				

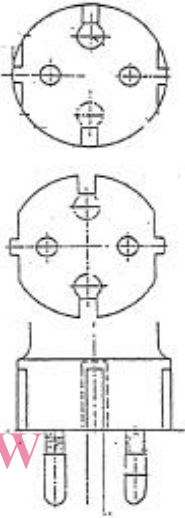
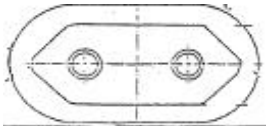
IEC 60083	National system used in AUSTRALIA		AU 2 of AU 2	
			Date: 2006-01-25	
Number of poles	Rated values of accessories		Sketch designations	
	Voltage V	Current A	Socket-outlets	Plugs
2P+⊕	250	15	  Portable and fixed	 
Reference of National Standard or Regulation:			AS/NZS 3112	
Further information obtainable from:	Standards Australia Limited GPO Box 476 Sydney NSW 2001 Australia		Telephone: +61 2 8206 6000 Fax: +61 2 8206 6001 E-mail: mail@standards.org.au Website: www.standards.org.au	
Distribution and subscription from:	SAI Global Limited GPO Box 5420 Sydney NSW 2001 Australia		Telephone: +61 2 8206 6010 Fax: +61 2 8206 6020 E-mail: sales@sai-global.com Website: www.sai-global.com	

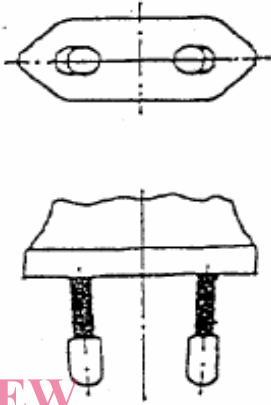
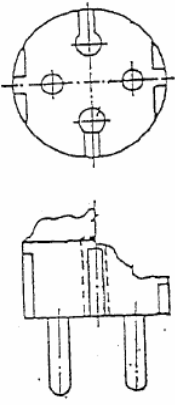
IEC 60083	National system used in AUSTRIA		AT1 of AT 5 Date: 2005-12-13	
Number of poles	Rated values of accessories		Sketch designation	
	Voltage V	Current A	Socket-outlets	Plugs
2P + T	250	10/16 or 16 ~	  <p>ÖNORM E 6622 part 1 Type A ÖNORM E 6622 part 2 Type B ÖNORM E 6622 part 4</p> <p>ÖNORM E 6622 part 9 (shutter) ÖNORM E 6622 part 10 (for incorporating)</p>	   <p>ÖNORM E 6623</p>
2P + T	250	10/16 or 16 ~	ÖNORM E 6622 part 8 Splashproof portable	ÖNORM E 6622 part 7 (splashproof, portable)
<p style="text-align: center;">iTeH STANDARD REVIEW (standardsiteh.ai)</p> <p style="text-align: center;">SIST-TP IEC/TR 60083:2009 <a href="https://standards.iteh.ai/corrigendum/standards/60083-2009-3d3e-4d49-9b13-13c2e1ace837/sist-tp-iec-tr-60083-2009">https://standards.iteh.ai/corrigendum/standards/60083-2009-3d3e-4d49-9b13-13c2e1ace837/sist-tp-iec-tr-60083-2009</a></p>				
For reference and further information, see AT 5.				

IEC 60083	National system used in AUSTRIA		AT2 of AT 5 Date: 2005-12-13	
Number of poles	Rated values of accessories		Sketch designation	
	Voltage V	Current A	Socket-outlets	Plugs
2P + T	250	2,5 + 10/16 or 16 ~	 <p data-bbox="683 842 963 878">ÖNORM E 6623 part 3</p>	
		2,5 + 10/16 or 16 ~	 <p data-bbox="683 1350 963 1386">ÖNORM E 6623 part 3</p>	
	250	10/16 or 16 ~	 <p data-bbox="683 1653 963 1688">ÖNORM E 6623 part 3</p>	
Portable socket-outlet				
For reference and further information, see AT 5.				

iTeh STANDARD PREVIEW  
(standards.iteh.ai)

SIST-TP IEC/TR 60083:2009  
<https://standards.iteh.ai/catalog/standards/sist/026d4975-3d3e-4d49-9b13-132ell5e837/sist-tp-iec-tr-60083-2009>

IEC 60083	National system used in AUSTRIA		AT3 of AT 5 Date: 2005-12-13	
Number of poles	Rated values of accessories		Sketch designation	
	Voltage V	Current A	Socket-outlets	Plugs
2P	250	10/16 or 16 ~		 <p data-bbox="1066 1093 1278 1126">ÖNORM E 6624</p>
2P	250	10/16 or 16 ~		<p data-bbox="1018 1234 1310 1317">ÖNORM E 6622 part 6 (splashproof, portable)</p>
2P	250	2,5	 <p data-bbox="683 1653 932 1794">ÖNORM E 6622-11 (portable) ÖNORM E 6622-5 (adaptor)</p>	
For reference and further information, see AT 5.				

IEC 60083	National system used in AUSTRIA		AT4 of AT 5 Date: 2005-12-13	
Number of poles	Rated values of accessories		Sketch designation	
	Voltage V	Current A	Socket-outlets	Plugs
2P	250	2,5		 <p data-bbox="1117 1097 1244 1131">EN 50075</p>
				 <p data-bbox="1077 1747 1292 1780">ÖNORM E 6620</p>
Plug of page 4 is compatible with socket-outlet of page 1				
For reference and further information, see AT 5.				

iTeh STANDARD PREVIEW  
(standards.iteh.ai)

SIST-TP IEC/TR 60083:2009

<https://standards.iteh.ai/catalog/standards/sist/026d4975-3d3e-4d49-9b13-13e2e1ace837/sist-tp-iec-tr-60083-2009>