



SLOVENSKI STANDARD

SIST EN 2240-092:2011

01-oktober-2011

Aeronavtika - Žarnice - 092. del: Žarnica, kod 7715 - Standard za izdelek

Aerospace series - Lamps, incandescent - Part 092: Lamp, code 7715 - Product standard

Luft- und Raumfahrt - Glühlampen - Teil 092: Lampe, Kode 7715 - Produktnorm

Série aérospatiale - Lampes à incandescence - Partie 092: Lampe, code 7715 - Norme de produit

STANDARD PREVIEW
(standards.iteh.ai)

Ta slovenski standard je istoveten z: EN 2240-092:2011

SIST EN 2240-092:2011
<https://standards.iteh.ai/catalog/standards/sist/510e0027-b767-461a-968a-d846e504b184/sist-en-2240-092-2011>

ICS:

49.060

Letalska in vesoljska
električna oprema in sistemi

Aerospace electric
equipment and systems

SIST EN 2240-092:2011

en,fr,de

iTeh STANDARD PREVIEW
(standards.iteh.ai)

SIST EN 2240-092:2011

<https://standards.iteh.ai/catalog/standards/sist/510e0027-b767-461a-968a-d846e504b184/sist-en-2240-092-2011>

EUROPEAN STANDARD

EN 2240-092

NORME EUROPÉENNE

EUROPÄISCHE NORM

August 2011

ICS 49.060

English Version

**Aerospace series - Lamps, incandescent - Part 092: Lamp, code
7715 - Product standard**Série aérospatiale - Lampes à incandescence - Partie 092:
Lampe, code 7715 - Norme de produitLuft- und Raumfahrt - Glühlampen - Teil 092: Lampe, Kode
7715 - Produktnorm

This European Standard was approved by CEN on 4 May 2011.

CEN members are bound to comply with the CEN/CENELEC Internal Regulations which stipulate the conditions for giving this European Standard the status of a national standard without any alteration. Up-to-date lists and bibliographical references concerning such national standards may be obtained on application to the CEN-CENELEC Management Centre or to any CEN member.

This European Standard exists in three official versions (English, French, German). A version in any other language made by translation under the responsibility of a CEN member into its own language and notified to the CEN-CENELEC Management Centre has the same status as the official versions.

CEN members are the national standards bodies of Austria, Belgium, Bulgaria, Croatia, Cyprus, Czech Republic, Denmark, Estonia, Finland, France, Germany, Greece, Hungary, Iceland, Ireland, Italy, Latvia, Lithuania, Luxembourg, Malta, Netherlands, Norway, Poland, Portugal, Romania, Slovakia, Slovenia, Spain, Sweden, Switzerland and United Kingdom.

[SIST EN 2240-092:2011](https://standards.iteh.ai/catalog/standards/sist/510e0027-b767-461a-968a-d846e504b184/sist-en-2240-092-2011)<https://standards.iteh.ai/catalog/standards/sist/510e0027-b767-461a-968a-d846e504b184/sist-en-2240-092-2011>EUROPEAN COMMITTEE FOR STANDARDIZATION
COMITÉ EUROPÉEN DE NORMALISATION
EUROPÄISCHES KOMITEE FÜR NORMUNG**Management Centre: Avenue Marnix 17, B-1000 Brussels**

Contents

Page

Foreword.....	3
1 Scope	4
2 Normative references	4
3 Required characteristics	5
4 Designation	6
5 Marking	6
6 Technical specification	6

iTeh STANDARD PREVIEW
(standards.iteh.ai)

[SIST EN 2240-092:2011](https://standards.iteh.ai/catalog/standards/sist/510e0027-b767-461a-968a-d846e504b184/sist-en-2240-092-2011)

<https://standards.iteh.ai/catalog/standards/sist/510e0027-b767-461a-968a-d846e504b184/sist-en-2240-092-2011>

Foreword

This document (EN 2240-092:2011) has been prepared by the Aerospace and Defence Industries Association of Europe - Standardization (ASD-STAN).

After enquiries and votes carried out in accordance with the rules of this Association, this Standard has received the approval of the National Associations and the Official Services of the member countries of ASD, prior to its presentation to CEN.

This European Standard shall be given the status of a national standard, either by publication of an identical text or by endorsement, at the latest by February 2012, and conflicting national standards shall be withdrawn at the latest by February 2012.

Attention is drawn to the possibility that some of the elements of this document may be the subject of patent rights. CEN [and/or CENELEC] shall not be held responsible for identifying any or all such patent rights.

According to the CEN/CENELEC Internal Regulations, the national standards organizations of the following countries are bound to implement this European Standard: Austria, Belgium, Bulgaria, Croatia, Cyprus, Czech Republic, Denmark, Estonia, Finland, France, Germany, Greece, Hungary, Iceland, Ireland, Italy, Latvia, Lithuania, Luxembourg, Malta, Netherlands, Norway, Poland, Portugal, Romania, Slovakia, Slovenia, Spain, Sweden, Switzerland and the United Kingdom.

ITEH STANDARD PREVIEW
(standards.iteh.ai)

[SIST EN 2240-092:2011](https://standards.iteh.ai/catalog/standards/sist/510e0027-b767-461a-968a-d846e504b184/sist-en-2240-092-2011)

<https://standards.iteh.ai/catalog/standards/sist/510e0027-b767-461a-968a-d846e504b184/sist-en-2240-092-2011>

EN 2240-092:2011 (E)**1 Scope**

This European Standard specifies the required characteristics for lamp, code 7715, for aerospace applications.

It should be used together with EN 2756.

2 Normative references

The following referenced documents are indispensable for the application of this document. For dated references, only the edition cited applies. For undated references, the latest edition of the referenced document (including any amendments) applies.

EN 2240-001, *Aerospace series — Lamps, incandescent — Part 001: Technical specification*

EN 2240-002, *Aerospace series — Lamps, incandescent — Part 002: Main characteristics*

EN 2241, *Aerospace series — Lamp caps — Dimensions*

EN 2756, *Aerospace series — Lamps, incandescent — Test methods*

iTeh STANDARD PREVIEW
(standards.iteh.ai)

[SIST EN 2240-092:2011](https://standards.iteh.ai/catalog/standards/sist/510e0027-b767-461a-968a-d846e504b184/sist-en-2240-092-2011)

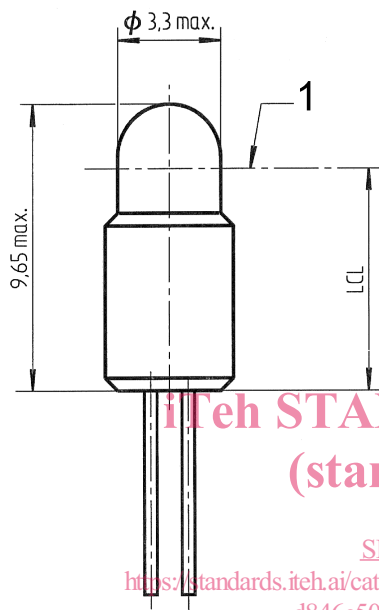
<https://standards.iteh.ai/catalog/standards/sist/510e0027-b767-461a-968a-d846e504b184/sist-en-2240-092-2011>

3 Required characteristics

3.1 Dimensions and mass

See Figure 1 and Table 1.

Dimensions are given in millimetres.



Key

1 Light centre

Figure 1

Table 1

Bulb appearance			Clear
Nominal voltage		V	5
Nominal current		A	0,115
Nominal power		W	0,575
Nominal luminous flux		lm	1,9
Colour temperature		K	2 070
Life	Static with d.c.	h	4 000
	Dynamic with d.c.	h	2 000
	Static with a.c.	h	4 000
Reduced voltage		V	–
Luminous flux at reduced voltage		lm	–
Form of filament			C – 2R CC – 6
Light Centre Length (LCL)			$7 \pm 0,75$
Mass (for 1 000)		kg	0,15

3.2 Other characteristics

See Table 1.

3.3 Form of filament

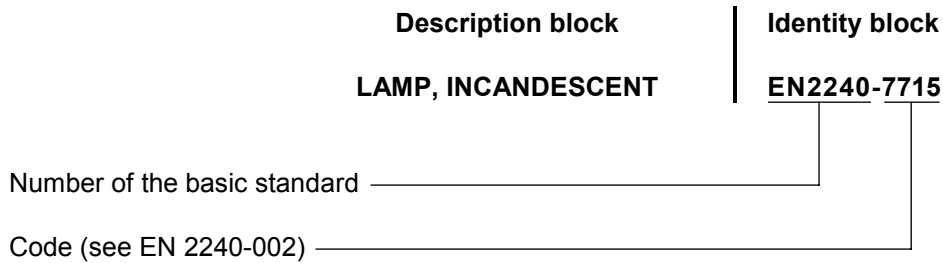
See EN 2240-002.

3.4 Cap

G 1,27: see EN 2241.

EN 2240-092:2011 (E)**4 Designation**

EXAMPLE



NOTE If necessary, the code I9005 shall be placed between the description block and the identity block.

5 Marking

Unless there is not enough space, the lamp and its packaging shall be marked with the international code number such as indicated in EN 2240-002.

6 Technical specification

See EN 2240-001.

ITeH STANDARD PREVIEW
(standards.iteh.ai)

SIST EN 2240-092:2011
<https://standards.iteh.ai/catalog/standards/sist/510e0027-b767-461a-968a-d846e504b184/sist-en-2240-092-2011>