
**Aerospace — Drives, internal, offset
cruciform — Metric series**

*Aéronautique et espace — Empreintes cruciformes déportées — Série
métrique*

iTeh STANDARD PREVIEW
(standards.iteh.ai)

[ISO 14276:2002](https://standards.iteh.ai/catalog/standards/sist/f4e3b7e0-0eea-40f1-b5bc-f9b21ddc0110/iso-14276-2002)

[https://standards.iteh.ai/catalog/standards/sist/f4e3b7e0-0eea-40f1-b5bc-
f9b21ddc0110/iso-14276-2002](https://standards.iteh.ai/catalog/standards/sist/f4e3b7e0-0eea-40f1-b5bc-f9b21ddc0110/iso-14276-2002)



PDF disclaimer

This PDF file may contain embedded typefaces. In accordance with Adobe's licensing policy, this file may be printed or viewed but shall not be edited unless the typefaces which are embedded are licensed to and installed on the computer performing the editing. In downloading this file, parties accept therein the responsibility of not infringing Adobe's licensing policy. The ISO Central Secretariat accepts no liability in this area.

Adobe is a trademark of Adobe Systems Incorporated.

Details of the software products used to create this PDF file can be found in the General Info relative to the file; the PDF-creation parameters were optimized for printing. Every care has been taken to ensure that the file is suitable for use by ISO member bodies. In the unlikely event that a problem relating to it is found, please inform the Central Secretariat at the address given below.

iTeh STANDARD PREVIEW
(standards.iteh.ai)

ISO 14276:2002

<https://standards.iteh.ai/catalog/standards/sist/f4e3b7e0-0eea-40f1-b5bc-f9b21ddc0110/iso-14276-2002>

© ISO 2002

All rights reserved. Unless otherwise specified, no part of this publication may be reproduced or utilized in any form or by any means, electronic or mechanical, including photocopying and microfilm, without permission in writing from either ISO at the address below or ISO's member body in the country of the requester.

ISO copyright office
Case postale 56 • CH-1211 Geneva 20
Tel. + 41 22 749 01 11
Fax + 41 22 749 09 47
E-mail copyright@iso.ch
Web www.iso.ch

Printed in Switzerland

Foreword

ISO (the International Organization for Standardization) is a worldwide federation of national standards bodies (ISO member bodies). The work of preparing International Standards is normally carried out through ISO technical committees. Each member body interested in a subject for which a technical committee has been established has the right to be represented on that committee. International organizations, governmental and non-governmental, in liaison with ISO, also take part in the work. ISO collaborates closely with the International Electrotechnical Commission (IEC) on all matters of electrotechnical standardization.

International Standards are drafted in accordance with the rules given in the ISO/IEC Directives, Part 3.

The main task of technical committees is to prepare International Standards. Draft International Standards adopted by the technical committees are circulated to the member bodies for voting. Publication as an International Standard requires approval by at least 75 % of the member bodies casting a vote.

Attention is drawn to the possibility that some of the elements of this International Standard may be the subject of patent rights. ISO shall not be held responsible for identifying any or all such patent rights.

ISO 14276 was prepared by Technical Committee ISO/TC 20, *Aircraft and space vehicles*, Subcommittee SC 4, *Aerospace fastener systems*.

iTeh STANDARD PREVIEW (standards.iteh.ai)

[ISO 14276:2002](https://standards.iteh.ai/catalog/standards/sist/f4e3b7e0-0eea-40f1-b5bc-f9b21ddc0110/iso-14276-2002)

<https://standards.iteh.ai/catalog/standards/sist/f4e3b7e0-0eea-40f1-b5bc-f9b21ddc0110/iso-14276-2002>

iTeh STANDARD PREVIEW
(standards.iteh.ai)

ISO 14276:2002

<https://standards.iteh.ai/catalog/standards/sist/f4e3b7e0-0eea-40f1-b5bc-f9b21ddc0110/iso-14276-2002>

Aerospace — Drives, internal, offset cruciform — Metric series

1 Scope

This International Standard specifies the dimensions of metric internal, offset cruciform drives used in metric screws in the nominal thread diameter range of 1,6 mm to 20 mm.

Drivers and gauges used in conjunction with these drives are defined in ISO 14277 and ISO 14278.

2 Normative references

The following normative documents contain provisions which, through reference in this text, constitute provisions of this International Standard. For dated references, subsequent amendments to, or revisions of, any of these publications do not apply. However, parties to agreements based on this International Standard are encouraged to investigate the possibility of applying the most recent editions of the normative documents indicated below. For undated references, the latest edition of the normative document referred to applies. Members of ISO and IEC maintain registers of currently valid International Standards.

ISO 3202:1997, *Aerospace — Screws, pan head, internal offset cruciform ribbed or unribbed drive, threaded to head, MJ threads, metallic material, coated or uncoated, strength classes less than or equal to 1 100 MPa — Dimensions*

<https://standards.iteh.ai/catalog/standards/sist/f4e3b7e0-0eea-40f1-b5bc-142762002>

ISO 5856:1991, *Aerospace — Screws, 100° normal countersunk head, internal offset cruciform ribbed drive, normal shank, short or medium length MJ threads, metallic material, coated or uncoated, strength classes less than or equal to 1 100 MPa — Dimensions*

ISO 7913:1994, *Aerospace — Bolts and screws, metric — Tolerances of form and position*

ISO 13921:1996, *Aerospace — Screws, 100° reduced countersunk head, internal offset cruciform ribbed or unribbed drive, normal shank, short or medium length MJ threads, metallic material, coated or uncoated, strength classes less than or equal to 1 100 MPa — Dimensions*

3 Configuration and dimensions

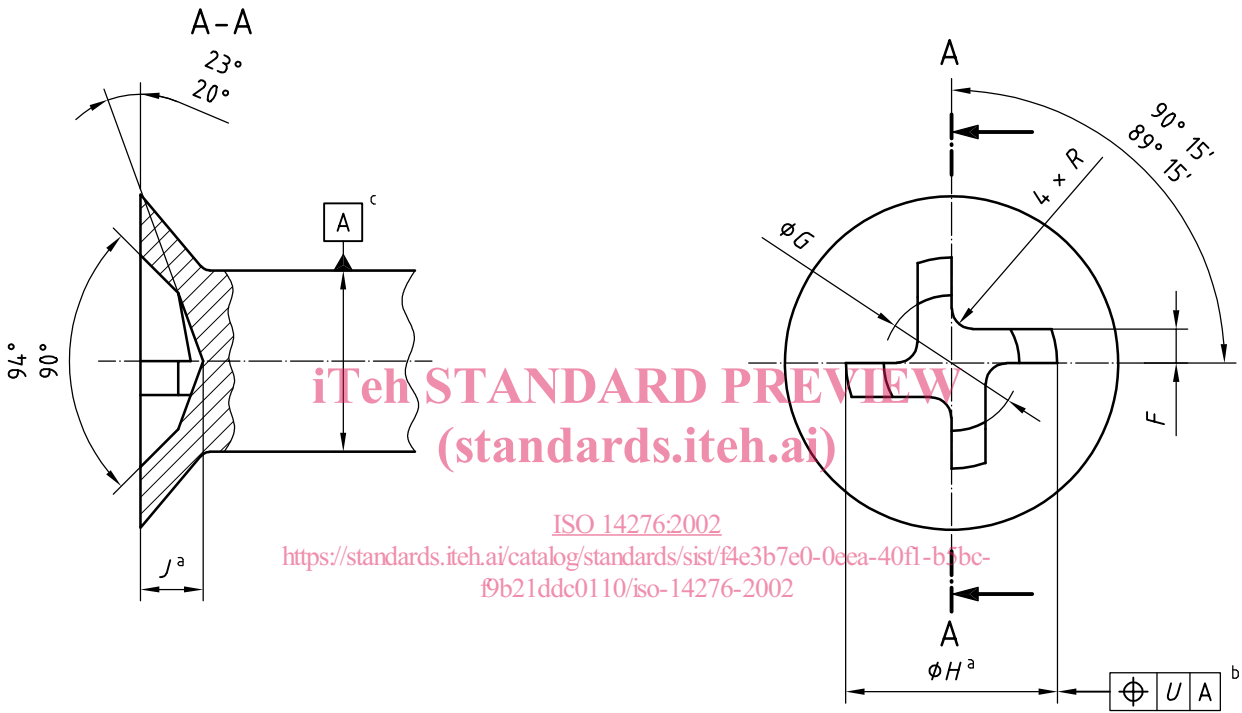
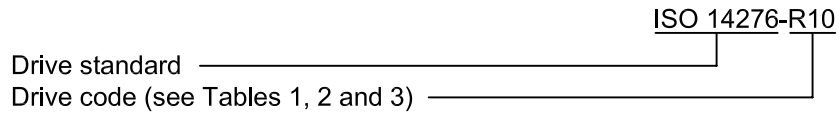
See Figures 1, 2 and 3 and Tables 1, 2 and 3.

Dimensions and tolerances are expressed in millimetres.

The presentation of the location tolerances conforms to ISO 1101.

4 Designation

The drive designation shall be as follows:



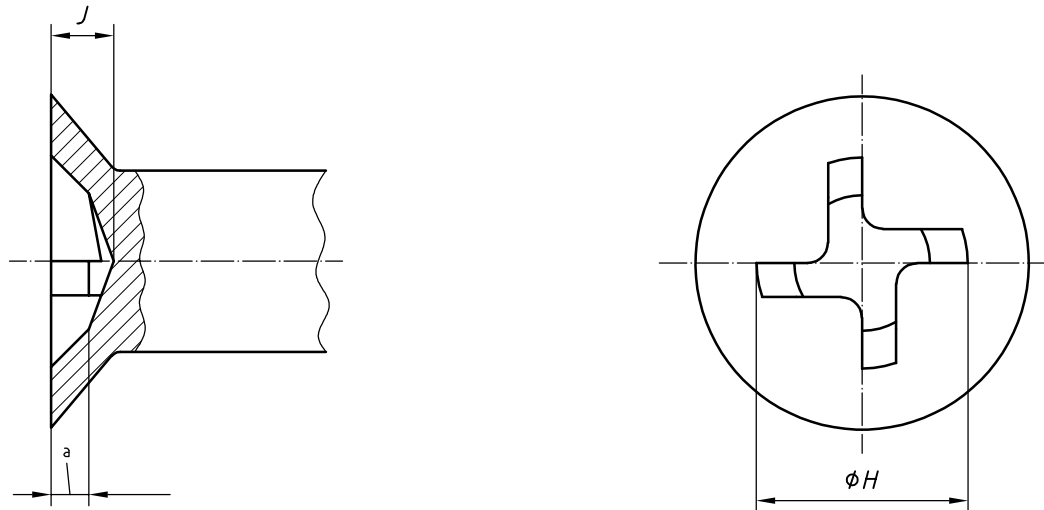
- a Values of parameters for specified heads are listed in Tables 2 and 3.
- b This location tolerance applies to all head configurations.
- c As defined in ISO 7913.

Figure 1 — Configuration — Drive

Table 1 — Dimensions — Drive

Drive code	<i>F</i>		<i>G</i>		<i>R</i>		<i>U</i>	Drive code inches ^a
	max.	min.	max.	min.	max.	min.		
R1,6	0,46	0,41	0,94	0,84	0,25	0	0,3	0
R2			1,12	1,02				1
R2,5	0,53	0,46	1,5	1,4				3
R3	0,58	0,51	1,7	1,6	0,46	0,20		4
R3,5	0,74	0,66	2,08	1,98	0,76	0,41		6
R4	0,86	0,79	2,44	2,34				8
R5	0,99	0,91	2,82	2,72	1,02	0,58	10	
R6	1,30	1,22	3,73	3,63			1/4	
R8	1,62	1,55	4,67	4,57	1,32	0,79	5/16	
R10	1,93	1,85	5,59	5,49			3/8	
R12	2,59	2,49	7,42	7,32	2,26	1,57	1/2	
R14	2,92	2,82	8,33	8,23	2,74	1,98	0,6	9/16
R16	3,22	3,12	9,27	9,17				5/8
R18	3,86	3,76	11,1	11,0				3/4

^a For information and comparison purposes only.



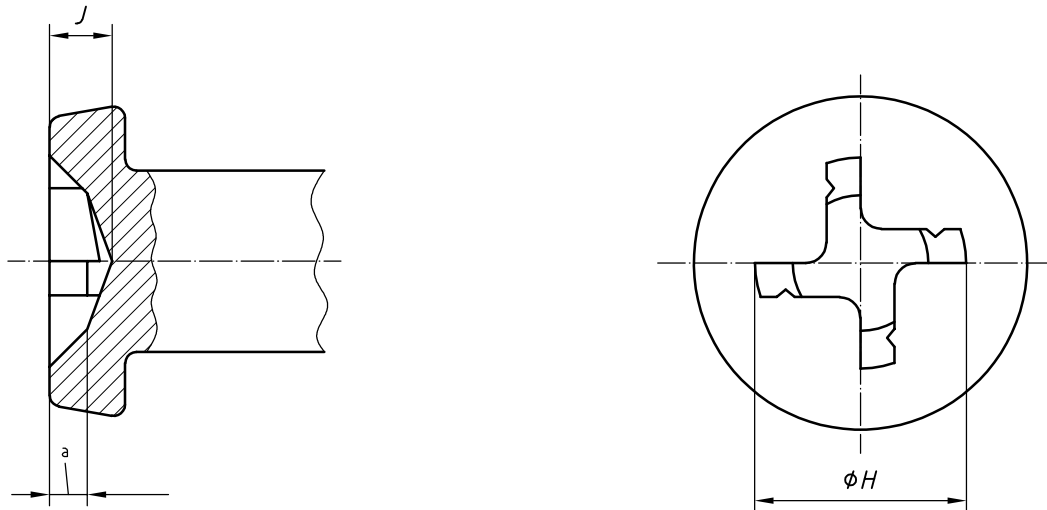
a Gauge penetration

Figure 2 — Configuration — Drive in normal and reduced 100° countersunk head

Table 2 — Dimensions — Drive in normal and reduced 100° countersunk head

Screw normal shank or thread diameter	Drive code		Drive code	J		Gauge penetration			
	100° countersunk head			max.	min.	max.	min.		
	normal ^a	reduced ^b							
1,6	R1,6	—	R1,6	2,08	1,83	0,79	0,53	0,572	0,368
2	R2	—	R2	2,49	2,24	0,94	0,69	0,686	0,470
2,5	R2,5	—	R2,5	3,35	3,10	1,24	0,99	0,927	0,686
3	R3	—	R3	3,76	3,51	1,40	1,14	1,029	0,775
3,5	R3,5	—	R3,5	4,62	4,37	1,68	1,42	1,270	1,003
4	R4	R3	R4	5,46	5,21	1,98	1,73	1,511	1,219
5	R5	R4	R5	6,30	6,05	2,29	2,03	1,740	1,422
6	R6	R5	R6	8,26	8,00	3,00	2,74	2,261	1,905
7									
8	R8	R6	R8	9,07	8,81	3,10	2,84	2,184	1,778
10	R10	R8	R10	10,85	10,59	3,68	3,43	2,616	2,159
12	R12	R10	R12	14,43	14,17	4,90	4,65	3,493	2,934
14	R14	R12	R14	16,21	15,95	5,51	5,26	3,924	3,315
16	R16	R14	R16	17,98	17,73	6,12	5,87	4,343	3,683
18	R18	R16	R18	21,56	21,31	7,32	7,06	5,232	4,470
20									

^a Head as defined in ISO 5856.
^b Head as defined in ISO 13921.



a Gauge penetration

Figure 3 — Configuration — Drive in pan head

Table 3 — Dimensions — Drive in pan head

Screw normal shank or thread diameter ^a	Drive code	H		J		Gauge penetration	
		max.	min.	max.	min.	max.	min.
1,6	R1,6	2,21	1,96	0,84	0,58	0,635	0,432
2	R2	2,64	2,39	0,99	0,74	0,762	0,546
2,5	R2,5	3,56	3,30	1,35	1,09	1,029	0,787
3	R3	3,99	3,73	1,50	1,24	1,143	0,889
3,5	R3,5	4,90	4,65	1,83	1,57	1,410	1,143
4	R4	5,79	5,54	2,16	1,90	1,676	1,384
5	R5	6,68	6,43	2,49	2,24	1,930	1,613
6	R6	8,76	8,51	3,25	3,00	2,515	2,159
7							
8	R8	9,70	9,45	3,40	3,15	2,502	2,096
10	R10	11,61	11,35	4,09	3,84	2,997	2,540
12	R12	14,43	14,17	4,90	4,65	3,492	2,934

^a Pan head as defined in ISO 3202.