



# SLOVENSKI STANDARD

## SIST EN 16293:2013

01-julij-2011

---

### Embalaza - Steklena embalaza - Globoka grla BVS za nepeneča vina

Packaging - Glass Packaging - Deep BVS finishes for still wines

Verpackung - Verpackungen aus Glas - Tiefe BVS-Mundstücke für stille Weine

Emballage - Emballages en verre - Bagues BVS hautes pour vins tranquilles

Ta slovenski standard je istoveten z: **EN 16293:2013**

[SIST EN 16293:2013](https://standards.iteh.ai/catalog/standards/sist/40696861-c30d-4057-9dce-a93a91a1c8f3/sist-en-16293-2013)

<https://standards.iteh.ai/catalog/standards/sist/40696861-c30d-4057-9dce-a93a91a1c8f3/sist-en-16293-2013>

#### **ICS:**

55.100	Steklenice. Lonci. Kozarci	Bottles. Pots. Jars
67.160.10	Alkoholne pijače	Alcoholic beverages

**SIST EN 16293:2013**

**en,fr,de**

**iTeh STANDARD PREVIEW**  
**(standards.iteh.ai)**

SIST EN 16293:2013

<https://standards.iteh.ai/catalog/standards/sist/40696861-c30d-4057-9dce-a93a91a1c8f3/sist-en-16293-2013>

EUROPEAN STANDARD

**EN 16293**

NORME EUROPÉENNE

EUROPÄISCHE NORM

March 2013

ICS 55.100

English Version

**Packaging - Glass Packaging - Deep BVS finishes for still wines**Emballage - Emballages en verre - Bagues BVS hautes  
pour vins tranquillesVerpackung - Verpackungen aus Glas - Tiefe BVS-  
Mundstücke für stille Weine

This European Standard was approved by CEN on 12 January 2013.

CEN members are bound to comply with the CEN/CENELEC Internal Regulations which stipulate the conditions for giving this European Standard the status of a national standard without any alteration. Up-to-date lists and bibliographical references concerning such national standards may be obtained on application to the CEN-CENELEC Management Centre or to any CEN member.

This European Standard exists in three official versions (English, French, German). A version in any other language made by translation under the responsibility of a CEN member into its own language and notified to the CEN-CENELEC Management Centre has the same status as the official versions.

CEN members are the national standards bodies of Austria, Belgium, Bulgaria, Croatia, Cyprus, Czech Republic, Denmark, Estonia, Finland, Former Yugoslav Republic of Macedonia, France, Germany, Greece, Hungary, Iceland, Ireland, Italy, Latvia, Lithuania, Luxembourg, Malta, Netherlands, Norway, Poland, Portugal, Romania, Slovakia, Slovenia, Spain, Sweden, Switzerland, Turkey and United Kingdom.

[SIST EN 16293:2013](https://standards.iteh.ai/catalog/standards/sist/40696861-c30d-4057-9dce-a93a91a1c8f3/sist-en-16293-2013)

<https://standards.iteh.ai/catalog/standards/sist/40696861-c30d-4057-9dce-a93a91a1c8f3/sist-en-16293-2013>



EUROPEAN COMMITTEE FOR STANDARDIZATION  
COMITÉ EUROPÉEN DE NORMALISATION  
EUROPÄISCHES KOMITEE FÜR NORMUNG

**Management Centre: Avenue Marnix 17, B-1000 Brussels**

**Contents**

Page

Foreword.....	3
Introduction .....	4
1 Scope.....	5
2 Terms and definitions .....	5
3 Requirements .....	5
4 Constructions and dimensions of deep BVS finishes.....	5
5 Thread profile construction .....	10
6 Construction for the bore entrance profile .....	11
7 Construction of transfer bead .....	12
8 Construction of the neck .....	12
9 BVS finishes — Dimensions Y and X .....	13
10 Control of bottle and neck verticality .....	16
Bibliography.....	17

iTeh STANDARD PREVIEW

(standards.iteh.ai)

SIST EN 16293:2013

<https://standards.iteh.ai/catalog/standards/sist/40696861-c30d-4057-9dce-a93a91a1c8f3/sist-en-16293-2013>

## Foreword

This document (EN 16293:2013) has been prepared by Technical Committee CEN/TC 261 “Packaging”, the secretariat of which is held by AFNOR.

This European Standard shall be given the status of a national standard, either by publication of an identical text or by endorsement, at the latest by September 2013, and conflicting national standards shall be withdrawn at the latest by September 2013.

Attention is drawn to the possibility that some of the elements of this document may be the subject of patent rights. CEN [and/or CENELEC] shall not be held responsible for identifying any or all such patent rights.

According to the CEN/CENELEC Internal Regulations, the national standards organisations of the following countries are bound to implement this European Standard: Austria, Belgium, Bulgaria, Croatia, Cyprus, Czech Republic, Denmark, Estonia, Finland, Former Yugoslav Republic of Macedonia, France, Germany, Greece, Hungary, Iceland, Ireland, Italy, Latvia, Lithuania, Luxembourg, Malta, Netherlands, Norway, Poland, Portugal, Romania, Slovakia, Slovenia, Spain, Sweden, Switzerland, Turkey and the United Kingdom.

## iTeh STANDARD PREVIEW (standards.iteh.ai)

[SIST EN 16293:2013](https://standards.iteh.ai/catalog/standards/sist/40696861-c30d-4057-9dce-a93a91a1c8f3/sist-en-16293-2013)

<https://standards.iteh.ai/catalog/standards/sist/40696861-c30d-4057-9dce-a93a91a1c8f3/sist-en-16293-2013>

## Introduction

This document is based on CE.T.I.E. (International Technical Centre for Bottling and related Packaging) data sheet GME 30.13 [3].

Efficient packaging is of great importance for the distribution and the protection of goods as insufficient or inappropriate packaging can lead to damage or wastage of the contents of the pack.

## iTeh STANDARD PREVIEW (standards.iteh.ai)

[SIST EN 16293:2013](https://standards.iteh.ai/catalog/standards/sist/40696861-c30d-4057-9dce-a93a91a1c8f3/sist-en-16293-2013)

<https://standards.iteh.ai/catalog/standards/sist/40696861-c30d-4057-9dce-a93a91a1c8f3/sist-en-16293-2013>

## 1 Scope

This European Standard specifies dimensions of a series of deep screw finishes for the closure of wines with a CO<sub>2</sub> content below 1,2 grams per litre.

NOTE Carbonation  $\geq 1,2$  g/l CO<sub>2</sub> requires a suitable container and closure agreed between the glass maker, closure maker and packer/filler.

## 2 Terms and definitions

For the purposes of this document, the following term and definition applies.

### 2.1

#### deep BVS finishes

finishes designed to take an aluminium tamper-evident closure with extended skirt which is re-formed during application

## 3 Requirements

Deep BVS finishes require a good control of container verticality as specified in Clause 10 "Control of bottle and neck verticality".

iTeh STANDARD PREVIEW

## 4 Constructions and dimensions of deep BVS finishes

The constructions of deep BVS finishes shall be as given in the following figures:

— Figure 1: Constructions and dimensions <https://standards.iteh.ai/catalog/standards/sist/40696861-c30d-4057-9dce-c8f3/sist-en-16293-2013>

— Figure 2: Optional finish with support bead

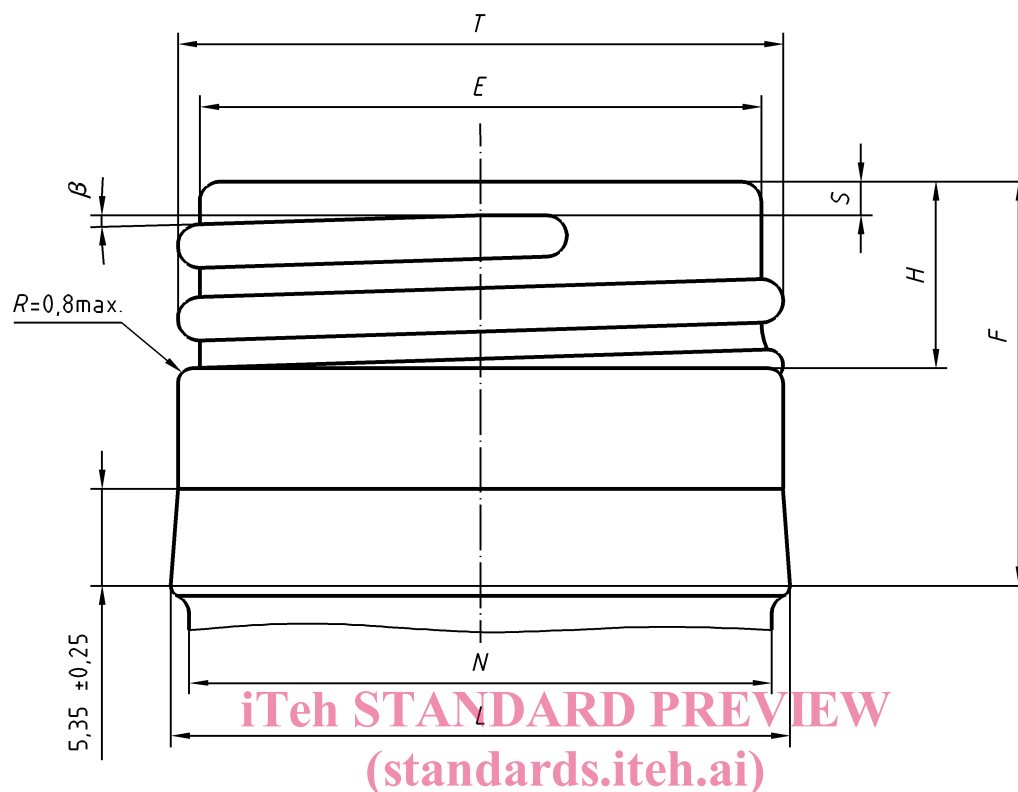
— Figure 3: Optional take-out groove

The dimensions of deep BVS finishes shall be as given in the following tables:

— Table 1 – Dimensions for finishes type BVS

— Table 4 – Dimensions Y and X for finishes type BVS

Dimensions in millimetres



iTeh STANDARD PREVIEW  
(standards.iteh.ai)

SIST EN 16293:2013

<https://standards.iteh.ai/catalog/standards/sist/40696861-c30d-4057-9dce-a93a91a1c8f3/sist-en-16293-2013>

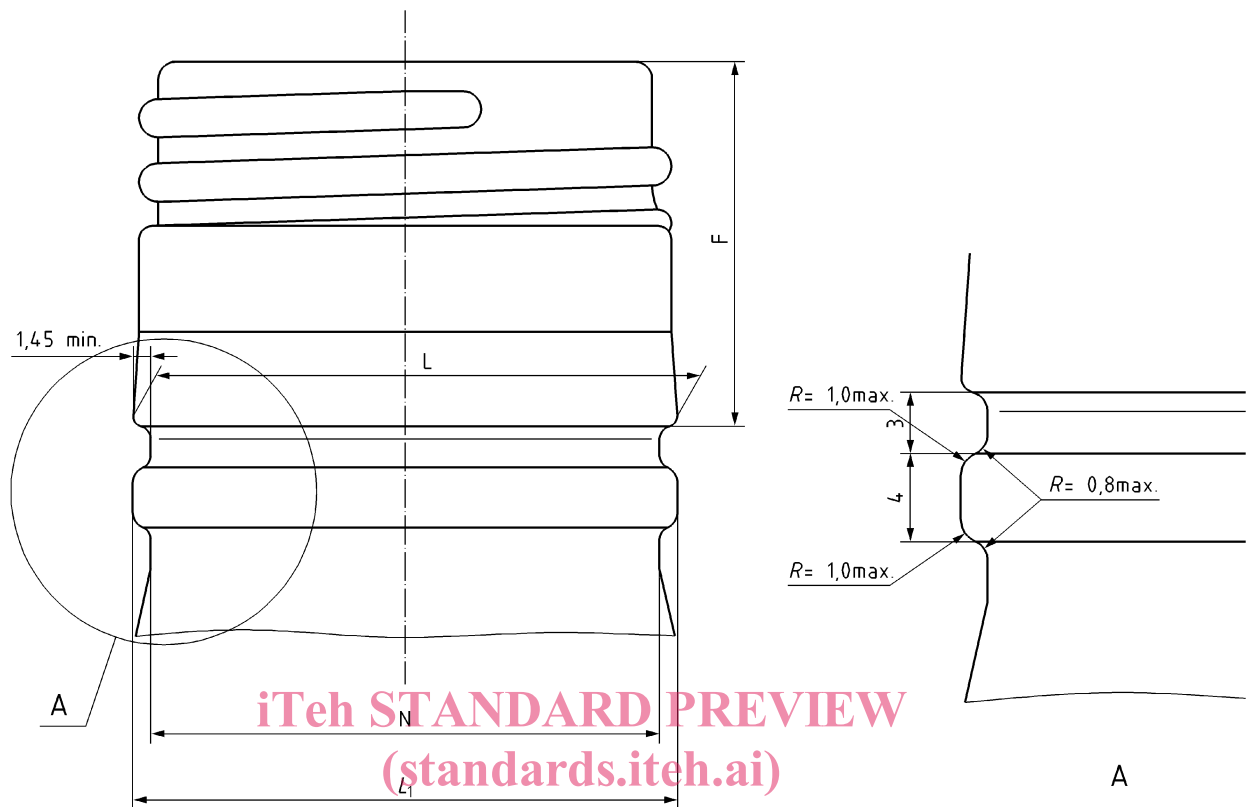
**Key**

- $\beta$  helix angle, or angle of cutter index
- E wall diameter of threaded finish
- F crimping edge, vertical height, threaded finishes
- H vertical height from top of finish to bead
- L locking bead diameter
- N neck (under bead) diameter
- S start of thread position from sealing surface to intersection of thread flank
- T thread diameter

**Figure 1 — Constructions and dimensions**



Dimensions in millimetres



SIST EN 16293:2013

<https://standards.iteh.ai/catalog/standards/sist/40696861-c30d-4057-9dce-a93a91a1c8f3/sist-en-16293-2013>

**Key**

- F crimping edge, vertical height, threaded finishes
- N neck (under bead) diameter
- L locking bead diameter
- $L_1$  additional skirt support bead

Diameter  $L_1$  does not exceed diameter  $L$ .

**Figure 2 — Optional finish with additional support bead**