
**Ophthalmic optics — Semi-finished
spectacle lens blanks —**

Part 2:

**Specifications for progressive power lens
blanks**

iTeh STANDARD PREVIEW
*Optique ophtalmique — Verres de lunettes semi-finis —
Partie 2: Spécifications pour les verres progressifs*
(standards.iteh.ai)

[ISO 10322-2:2006](https://standards.iteh.ai/catalog/standards/sist/753cf586-5fd4-48b2-88df-5bd6b2ac7842/iso-10322-2-2006)

<https://standards.iteh.ai/catalog/standards/sist/753cf586-5fd4-48b2-88df-5bd6b2ac7842/iso-10322-2-2006>



Reference number
ISO 10322-2:2006(E)

PDF disclaimer

This PDF file may contain embedded typefaces. In accordance with Adobe's licensing policy, this file may be printed or viewed but shall not be edited unless the typefaces which are embedded are licensed to and installed on the computer performing the editing. In downloading this file, parties accept therein the responsibility of not infringing Adobe's licensing policy. The ISO Central Secretariat accepts no liability in this area.

Adobe is a trademark of Adobe Systems Incorporated.

Details of the software products used to create this PDF file can be found in the General Info relative to the file; the PDF-creation parameters were optimized for printing. Every care has been taken to ensure that the file is suitable for use by ISO member bodies. In the unlikely event that a problem relating to it is found, please inform the Central Secretariat at the address given below.

iTeh STANDARD PREVIEW
(standards.iteh.ai)

[ISO 10322-2:2006](https://standards.iteh.ai/catalog/standards/sist/753cf586-5fd4-48b2-88df-5bd6b2ac7842/iso-10322-2-2006)

<https://standards.iteh.ai/catalog/standards/sist/753cf586-5fd4-48b2-88df-5bd6b2ac7842/iso-10322-2-2006>

© ISO 2006

All rights reserved. Unless otherwise specified, no part of this publication may be reproduced or utilized in any form or by any means, electronic or mechanical, including photocopying and microfilm, without permission in writing from either ISO at the address below or ISO's member body in the country of the requester.

ISO copyright office
Case postale 56 • CH-1211 Geneva 20
Tel. + 41 22 749 01 11
Fax + 41 22 749 09 47
E-mail copyright@iso.org
Web www.iso.org

Published in Switzerland

Foreword

ISO (the International Organization for Standardization) is a worldwide federation of national standards bodies (ISO member bodies). The work of preparing International Standards is normally carried out through ISO technical committees. Each member body interested in a subject for which a technical committee has been established has the right to be represented on that committee. International organizations, governmental and non-governmental, in liaison with ISO, also take part in the work. ISO collaborates closely with the International Electrotechnical Commission (IEC) on all matters of electrotechnical standardization.

International Standards are drafted in accordance with the rules given in the ISO/IEC Directives, Part 2.

The main task of technical committees is to prepare International Standards. Draft International Standards adopted by the technical committees are circulated to the member bodies for voting. Publication as an International Standard requires approval by at least 75 % of the member bodies casting a vote.

Attention is drawn to the possibility that some of the elements of this document may be the subject of patent rights. ISO shall not be held responsible for identifying any or all such patent rights.

ISO 10322-2 was prepared by Technical Committee ISO/TC 172, *Optics and photonics*, Subcommittee SC 7, *Ophthalmic optics and instruments*.

This third edition cancels and replaces the second edition (ISO 10322-2:1996), which has been technically revised.

ISO 10322 consists of the following parts, under the general title *Ophthalmic optics — Semi-finished spectacle lens blanks*:

- *Part 1: Specifications for single-vision and multifocal lens blanks*
- *Part 2: Specifications for progressive power lens blanks*

iTeh STANDARD PREVIEW
(standards.iteh.ai)

ISO 10322-2:2006

<https://standards.iteh.ai/catalog/standards/sist/753cf586-5fd4-48b2-88df-5bd6b2ac7842/iso-10322-2-2006>

Ophthalmic optics — Semi-finished spectacle lens blanks —

Part 2: Specifications for progressive power lens blanks

1 Scope

This part of ISO 10322 specifies requirements for the optical and geometrical properties of semi-finished progressive power spectacle lens blanks.

NOTE The requirements for semi-finished single-vision and multifocal lens blanks are given in ISO 10322-1.

2 Normative references

The following referenced documents are indispensable for the application of this document. For dated references, only the edition cited applies. For undated references, the latest edition of the referenced document (including any amendments) applies.

ISO 7944, *Optics and optical instruments — Reference wavelengths*
ISO 10322-2:2006

ISO 8598, *Optics and optical instruments — Focimeters*
<https://standards.iteh.ai/catalog/standards/sist/753cf586-5fd4-48b2-88df-5bd6b2ac7842/iso-10322-2-2006>

ISO 13666, *Ophthalmic optics — Spectacle lenses — Vocabulary*

3 Terms and definitions

For the purposes of this document, the terms and definitions given in ISO 13666 and the following apply.

3.1

focal-point-on-axis focimeter

FOA focimeter

focimeter in which the focal point of the beam remains on the axis of the focimeter when the lens under test is measured at a point on the lens where prism is not zero

See Figure 1.

NOTE Examples of this design include all manual focusing focimeters and some automatic focimeters.

3.2

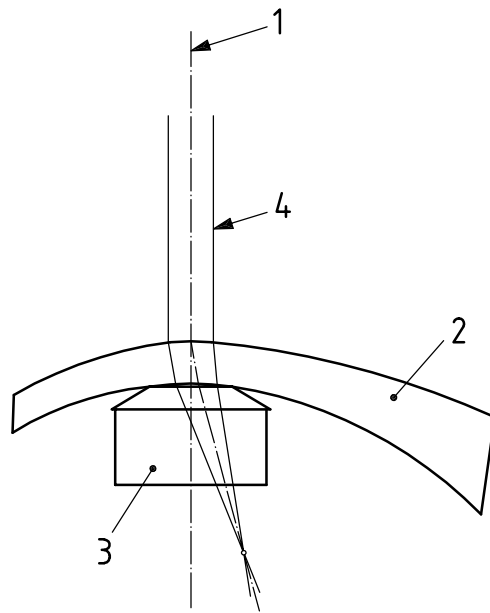
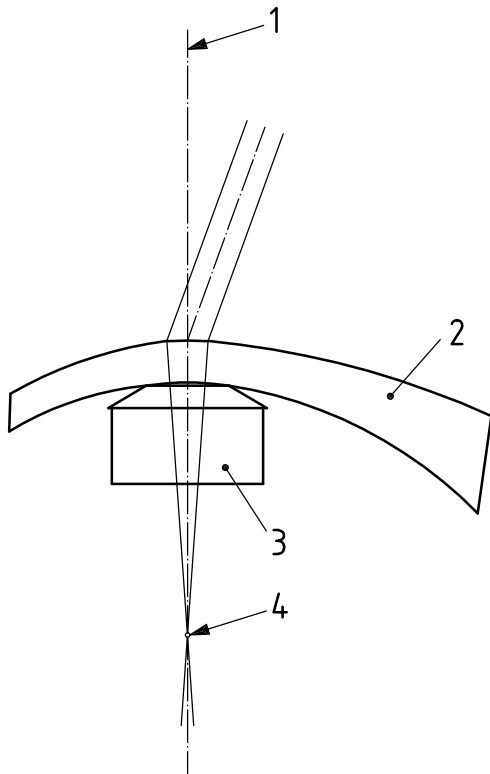
infinite-on-axis focimeter

IOA focimeter

focimeter in which the collimated beam coincides with the focimeter axis and the focal point of the beam goes off the axis of the focimeter when the lens under test is measured at a point of the lens where prism is not zero

See Figure 2.

NOTE Some automatic focimeters use this design.



iTeh STANDARD PREVIEW
(standards.iteh.ai)

- Key**
- 1 focimeter's optical axis
 - 2 lens
 - 3 focimeter lens support
 - 4 focal point on the optical axis

- Key**
- 1 focimeter's optical axis
 - 2 lens
 - 3 focimeter lens support
 - 4 parallel incident beam coincides with optical axis

Figure 1 — FOA Focimeter

Figure 2 — IOA Focimeter

4 Classification

Semi-finished lens blanks are classified as follows:

- a) single-vision semi-finished lens blanks;
- b) multifocal semi-finished lens blanks;
- c) progressive power semi-finished lens blanks.

5 Requirements

The tolerances shall apply at a temperature of $23\text{ °C} \pm 5\text{ °C}$.

5.1 Optical requirements for the finished surface

5.1.1 General

The optical tolerances shall apply to the manufacturer's stated values at the reference points of the semi-finished lens blank at one of the reference wavelengths specified in ISO 7944.

5.1.2 Tolerances on the surface power of semi-finished progressive power lens blanks

The tolerances on the surface power as specified in Table 1 shall apply at the distance design reference point and shall be measured using the method described in 6.1.

Table 1 — Tolerances on the surface power

Values in dioptres (D)

Distance surface power of the principal meridian with the higher absolute surface power	Tolerance on the distance surface power $\frac{F_1 + F_2}{2}$	Tolerance on astigmatic surface power specified by the manufacturer ^a $ F_1 - F_2 $
$\geq 0,00$ and $\leq 10,00$	$\pm 0,09$	0,09
$> 10,00$ and $\leq 15,00$	$\pm 0,12$	0,12

F_1 and F_2 are the surface powers of the principal meridians.

^a Relative to the intended surface astigmatism of the lens design.

5.1.3 Tolerances on the addition power for progressive power lens blanks

The tolerances on the addition power as specified in Table 2 shall apply at the design reference points and shall be measured using the method described in 6.2.

Table 2 — Tolerances on the addition power

Values in dioptres (D)

Addition power	Tolerance
$\leq 4,00$	$\pm 0,12$
$> 4,00$	$\pm 0,18$

5.2 Geometrical tolerances

5.2.1 Tolerances on the size of lens blanks

The sizes of lens blanks are classified as follows:

- nominal size (d_n): dimension(s), in millimetres, indicated by the manufacturer;
- effective size (d_e): actual dimension(s), in millimetres, of the lens blank;
- usable size (d_u): dimension(s), in millimetres, of the area that is optically usable;

- effective size, d_e :

$$d_n - 1 \text{ mm} \leq d_e \leq d_n + 2 \text{ mm}$$

- usable size, d_u :

$$d_u \geq d_n - 1 \text{ mm for } d_n \leq 65 \text{ mm}$$

$$d_u \geq d_n - 2 \text{ mm for } d_n > 65 \text{ mm}$$

5.2.2 Tolerances on thickness

5.2.2.1 Centre thickness

The centre thickness of the lens blank, when measured at its geometric centre (unless otherwise stated by the manufacturer), shall be neither less than the minimum thickness stated by the manufacturer nor exceed this minimum thickness by more than 3 mm.

5.2.2.2 Edge thickness

When measured at the point stated by the manufacturer, the edge thickness of the lens blank shall be neither less than the minimum thickness stated by the manufacturer nor exceed this minimum thickness by more than 3 mm.

6 Test methods

Alternative measurement methods are acceptable if shown to perform equivalently to the reference test methods in this clause.

NOTE A lens blank measured with a focimeter calibrated for the mercury e-line reference wavelength can show a difference in power when compared to the same lens blank measured at the same point using a focimeter calibrated for the helium d-line.

6.1 Determination of the convex surface power at the distance design reference point

Determine the surface power at the distance design reference point by measurement of the concave spherical curve, thickness and back vertex power and then deriving, by calculation, the convex surface power.

6.2 Addition power measurement

6.2.1 General

Addition power shall be measured using a focimeter meeting the requirements of ISO 8598.

The surface chosen for measurement shall be the progressive side unless otherwise stated by the manufacturer. There are two addition power measurement methods: front surface and back surface measurement.

NOTE Differences can occur between measurements made with different focimeters at points on a lens blank where prism is not zero. This is because of effects in the measurement, such as the different focimeter design (IOA, FOA), the non-linearity error of focimeters, the positioning of the lens blank or the extent of tilt when the lens blank is placed on the support and the subjective focusing error.

6.2.2 Front surface method for addition power measurement

Place the lens blank so that the front surface is against the focimeter lens support, position the lens blank at the near design reference point and measure the near power.

Keeping the front surface against the focimeter support, position the lens blank at the distance design reference point and measure the distance power.

Calculate the addition power as the difference between the near power and the distance power. Near power and distance power may be either the power measured using the nearer to vertical lines of the target or the spherical equivalent power.

6.2.3 Back surface method for addition power measurement

Place the lens blank so that the back surface is against the focimeter lens support, position the lens blank at the near design reference point and measure the near power.

Keeping the back surface against the focimeter support, position the lens blank at the distance design reference point and measure the distance power.

Calculate the addition power as the difference between the near power and the distance power. Near and distance power may be either the power measured using the nearer to vertical lines of the target or the spherical equivalent power.

6.3 Material and surface quality

See Annex A.

7 Marking

7.1 Permanent marking

The lens blank shall be permanently marked on the finished surface with at least the following:

- a) the alignment reference markings comprising two marks located 34 mm apart, equidistant to a vertical plane through the fitting point or prism reference point;
- b) indication of addition power, in dioptres;
- c) indication of the manufacturer or supplier, or the trade name or trademark.

7.2 Optional non-permanent marking

The following optional non-permanent marking is recommended:

- a) the alignment reference marking;
- b) the indicator of the distance design reference point;
- c) the indicator of the near design reference point;
- d) the indicator of the fitting point;
- e) the indicator of the prism reference point.

8 Identification

8.1 Identification required on the package

The lens blank shall be supplied in a package. The package shall be labelled with at least the following information (see also Clause 9).

- a) nominal surface power, in dioptres;
- b) surface astigmatic power, in dioptres (if applicable);
- c) nominal size of the lens blank, in millimetres;