

# INTERNATIONAL STANDARD

# ISO 23205

First edition  
2006-08-15

---

---

## Agricultural tractors — Instructional seat

*Tracteurs agricoles — Siège de convoyeur*

**iTeh STANDARD PREVIEW**  
**(standards.iteh.ai)**

[ISO 23205:2006](https://standards.iteh.ai/catalog/standards/sist/cc1d3996-139b-4365-9f27-db09fd35cca7/iso-23205-2006)

[https://standards.iteh.ai/catalog/standards/sist/cc1d3996-139b-4365-9f27-  
db09fd35cca7/iso-23205-2006](https://standards.iteh.ai/catalog/standards/sist/cc1d3996-139b-4365-9f27-db09fd35cca7/iso-23205-2006)



Reference number  
ISO 23205:2006(E)

© ISO 2006

**PDF disclaimer**

This PDF file may contain embedded typefaces. In accordance with Adobe's licensing policy, this file may be printed or viewed but shall not be edited unless the typefaces which are embedded are licensed to and installed on the computer performing the editing. In downloading this file, parties accept therein the responsibility of not infringing Adobe's licensing policy. The ISO Central Secretariat accepts no liability in this area.

Adobe is a trademark of Adobe Systems Incorporated.

Details of the software products used to create this PDF file can be found in the General Info relative to the file; the PDF-creation parameters were optimized for printing. Every care has been taken to ensure that the file is suitable for use by ISO member bodies. In the unlikely event that a problem relating to it is found, please inform the Central Secretariat at the address given below.

**iTeh STANDARD PREVIEW**  
**(standards.iteh.ai)**

ISO 23205:2006

<https://standards.iteh.ai/catalog/standards/sist/cc1d3996-139b-4365-9f27-db09fd35cca7/iso-23205-2006>

© ISO 2006

All rights reserved. Unless otherwise specified, no part of this publication may be reproduced or utilized in any form or by any means, electronic or mechanical, including photocopying and microfilm, without permission in writing from either ISO at the address below or ISO's member body in the country of the requester.

ISO copyright office  
Case postale 56 • CH-1211 Geneva 20  
Tel. + 41 22 749 01 11  
Fax + 41 22 749 09 47  
E-mail [copyright@iso.org](mailto:copyright@iso.org)  
Web [www.iso.org](http://www.iso.org)

Published in Switzerland

## Foreword

ISO (the International Organization for Standardization) is a worldwide federation of national standards bodies (ISO member bodies). The work of preparing International Standards is normally carried out through ISO technical committees. Each member body interested in a subject for which a technical committee has been established has the right to be represented on that committee. International organizations, governmental and non-governmental, in liaison with ISO, also take part in the work. ISO collaborates closely with the International Electrotechnical Commission (IEC) on all matters of electrotechnical standardization.

International Standards are drafted in accordance with the rules given in the ISO/IEC Directives, Part 2.

The main task of technical committees is to prepare International Standards. Draft International Standards adopted by the technical committees are circulated to the member bodies for voting. Publication as an International Standard requires approval by at least 75 % of the member bodies casting a vote.

Attention is drawn to the possibility that some of the elements of this document may be the subject of patent rights. ISO shall not be held responsible for identifying any or all such patent rights.

ISO 23205 was prepared by Technical Committee ISO/TC 23, *Tractors and machinery for agriculture and forestry*, Subcommittee SC 4, *Tractors*.

## iTeh STANDARD PREVIEW (standards.iteh.ai)

ISO 23205:2006

<https://standards.iteh.ai/catalog/standards/sist/cc1d3996-139b-4365-9f27-db09fd35cca7/iso-23205-2006>

## Introduction

This International Standard is intended to guide the manufacturer who wishes to supply an instructional seat and restraint inside the enclosed cab of an agricultural tractor. Nevertheless, many types of agricultural tractors will not be able to accommodate this feature.

This International Standard is recognition that an instructional seat for a trainer or trainee or service person on an agricultural tractor can be useful when providing training or instruction, or to enable a second person to aid in problem diagnosis.

Agricultural tractors equipped with ROPS (rollover protective structure) cabs large enough to accommodate two persons — one seated in the operator's seat with restraint and the other, a trainer, trainee or service person, seated in the instructional seat with restraint — provide greater safety for both persons in a rollover than would be available without an instructional seat.

## iTeh STANDARD PREVIEW (standards.iteh.ai)

[ISO 23205:2006](https://standards.iteh.ai/catalog/standards/sist/cc1d3996-139b-4365-9f27-db09fd35cca7/iso-23205-2006)

[https://standards.iteh.ai/catalog/standards/sist/cc1d3996-139b-4365-9f27-  
db09fd35cca7/iso-23205-2006](https://standards.iteh.ai/catalog/standards/sist/cc1d3996-139b-4365-9f27-db09fd35cca7/iso-23205-2006)

# Agricultural tractors — Instructional seat

## 1 Scope

This International Standard specifies the minimum design and performance requirements for an instructional seat and restraint designed for limited use by a trainer, trainee or service person inside the enclosed cab of an agricultural tractor.

The instructional seat is neither intended for, nor is it designed for use by, children.

## 2 Normative references

The following referenced documents are indispensable for the application of this document. For dated references, only the edition cited applies. For undated references, the latest edition of the referenced document (including any amendments) applies.

ISO 5353:1995, *Earth-moving machinery, and tractors and machinery for agriculture and forestry — Seat index point*

## 3 Terms and definitions

ISO 23205:2006

<https://standards.iteh.ai/catalog/standards/sist/cc1d3996-139b-4365-9f27->

[db09fd135cca7/iso-23205-2006](https://standards.iteh.ai/catalog/standards/sist/cc1d3996-139b-4365-9f27-db09fd135cca7/iso-23205-2006)

For the purposes of this document, the following terms and definitions apply.

### 3.1

#### **instructional seat**

area of sufficient size and shape, and having an integral or separate backrest, to allow a trainer, trainee or service person to be seated

### 3.2

#### **enclosed cab**

operator enclosure, including glazing materials in the windows, door(s) and of the windshield, mounted on the frame of an agricultural tractor

## 4 Requirements

**4.1** The instructional seat shall only be fitted on agricultural tractors equipped with an enclosed cab.

**4.2** The instructional seat and surrounding clearance zone shall have envelope dimensions in accordance with Figure 1.

**4.3** The instructional seat shall be located as shown in Figure 1. The instructional seat shall be placed such that the trainer, trainee or service person seated in it has a minimal potential impact on operation and visibility, in keeping with intended use, and consistent with machine function and other design considerations.

**4.4** The instructional seat may or may not be padded or cushioned. Its backrest shall also have minimum dimensions according to Figure 1. A non-glazed component at the rear or side of the enclosed cab, or a cab

wall, may be used as the backrest, provided the dimensional requirements are met. The backrest may or may not be padded or cushioned.

**4.5** At least one handgrip of a minimum length of 150 mm, or a handrail, shall be provided in a conveniently located position for use by the trainer, trainee or service person while seated in the instructional seat.

**4.6** A suitable area shall be provided for the lower extremities of the trainer, trainee or service person seated in the instructional seat such that there is no interference with the operator.

**4.7** A restraint system shall be provided. The restraint system shall be in accordance with ISO 3776 or other applicable standards.

**4.8** The instructional seat, with the trainer, trainee or service person seated in it, shall be inside the enclosed cab structure.

**4.9** A safety sign indicating the hazard of falling from the tractor as well as the required use of the seat belt shall be provided, positioned so as to be in view of the person seated in the instructional seat.

**4.10** The following information, at a minimum, shall be provided in the operator's manual:

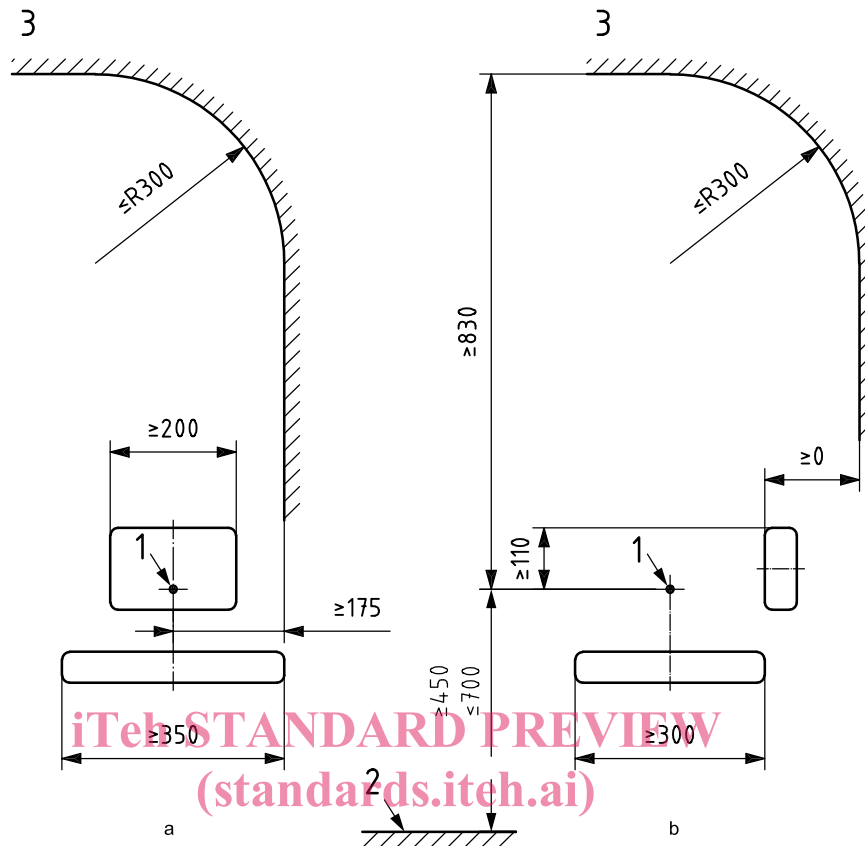
- appropriate use of the instructional seat, i.e. by a trainer, trainee or service person;
- inappropriate use of the instructional seat, i.e. by children or other passengers;
- requirements to wear the seat belt.

**ITEH STANDARD PREVIEW**  
**(standards.iteh.ai)**

ISO 23205:2006

<https://standards.iteh.ai/catalog/standards/sist/cc1d3996-139b-4365-9f27-db09fd35cca7/iso-23205-2006>

Dimensions in millimetres



**Key**

- 1 seat index point (SIP)
- 2 foot rest
- 3 clearance zone

The SIP shall be determined in accordance with ISO 5353.

- a Front view.
- b Side view.

**Figure 1 — Envelope and seat dimensions**

## Bibliography

- [1] ISO 3776 (all parts), *Tractors and machinery for agriculture — Seat belts*<sup>1)</sup>

**iTeh STANDARD PREVIEW**  
**(standards.iteh.ai)**

[ISO 23205:2006](https://standards.iteh.ai/catalog/standards/sist/cc1d3996-139b-4365-9f27-db09fd35cca7/iso-23205-2006)

[https://standards.iteh.ai/catalog/standards/sist/cc1d3996-139b-4365-9f27-  
db09fd35cca7/iso-23205-2006](https://standards.iteh.ai/catalog/standards/sist/cc1d3996-139b-4365-9f27-db09fd35cca7/iso-23205-2006)

---

1) To be published. (Revision of ISO 3776:1989)



**iTeh STANDARD PREVIEW**  
**(standards.iteh.ai)**

ISO 23205:2006

[https://standards.iteh.ai/catalog/standards/sist/cc1d3996-139b-4365-9f27-  
db09fd35cca7/iso-23205-2006](https://standards.iteh.ai/catalog/standards/sist/cc1d3996-139b-4365-9f27-db09fd35cca7/iso-23205-2006)