
**Agricultural wheeled tractors and
attachments — Front loaders —
Carriages for attachments**

*Tracteurs agricoles à roues et accessoires — Chargeuses frontales —
Accouplements sur structures pour les accessoires*

iTeh STANDARD PREVIEW
(standards.iteh.ai)

ISO 23206:2005

<https://standards.iteh.ai/catalog/standards/sist/ada748a7-e229-455f-8f20-0b98b379d849/iso-23206-2005>



PDF disclaimer

This PDF file may contain embedded typefaces. In accordance with Adobe's licensing policy, this file may be printed or viewed but shall not be edited unless the typefaces which are embedded are licensed to and installed on the computer performing the editing. In downloading this file, parties accept therein the responsibility of not infringing Adobe's licensing policy. The ISO Central Secretariat accepts no liability in this area.

Adobe is a trademark of Adobe Systems Incorporated.

Details of the software products used to create this PDF file can be found in the General Info relative to the file; the PDF-creation parameters were optimized for printing. Every care has been taken to ensure that the file is suitable for use by ISO member bodies. In the unlikely event that a problem relating to it is found, please inform the Central Secretariat at the address given below.

iTeh STANDARD PREVIEW
(standards.iteh.ai)

[ISO 23206:2005](https://standards.iteh.ai/catalog/standards/sist/ada748a7-e229-455f-8f20-0b98b379d849/iso-23206-2005)

<https://standards.iteh.ai/catalog/standards/sist/ada748a7-e229-455f-8f20-0b98b379d849/iso-23206-2005>

© ISO 2005

All rights reserved. Unless otherwise specified, no part of this publication may be reproduced or utilized in any form or by any means, electronic or mechanical, including photocopying and microfilm, without permission in writing from either ISO at the address below or ISO's member body in the country of the requester.

ISO copyright office
Case postale 56 • CH-1211 Geneva 20
Tel. + 41 22 749 01 11
Fax + 41 22 749 09 47
E-mail copyright@iso.org
Web www.iso.org

Published in Switzerland

Foreword

ISO (the International Organization for Standardization) is a worldwide federation of national standards bodies (ISO member bodies). The work of preparing International Standards is normally carried out through ISO technical committees. Each member body interested in a subject for which a technical committee has been established has the right to be represented on that committee. International organizations, governmental and non-governmental, in liaison with ISO, also take part in the work. ISO collaborates closely with the International Electrotechnical Commission (IEC) on all matters of electrotechnical standardization.

International Standards are drafted in accordance with the rules given in the ISO/IEC Directives, Part 2.

The main task of technical committees is to prepare International Standards. Draft International Standards adopted by the technical committees are circulated to the member bodies for voting. Publication as an International Standard requires approval by at least 75 % of the member bodies casting a vote.

Attention is drawn to the possibility that some of the elements of this document may be the subject of patent rights. ISO shall not be held responsible for identifying any or all such patent rights.

ISO 23206 was prepared by Technical Committee ISO/TC 23, *Tractors and machinery for agriculture and forestry*, Subcommittee SC 4, *Tractors*.

iTeh STANDARD PREVIEW (standards.iteh.ai)

[ISO 23206:2005](https://standards.iteh.ai/catalog/standards/sist/ada748a7-e229-455f-8f20-0b98b379d849/iso-23206-2005)

<https://standards.iteh.ai/catalog/standards/sist/ada748a7-e229-455f-8f20-0b98b379d849/iso-23206-2005>

iTeh STANDARD PREVIEW
(standards.iteh.ai)

ISO 23206:2005

<https://standards.iteh.ai/catalog/standards/sist/ada748a7-e229-455f-8f20-0b98b379d849/iso-23206-2005>

Agricultural wheeled tractors and attachments — Front loaders — Carriages for attachments

1 Scope

This International Standard specifies the dimensions and clearance requirements for the carriages for attachments on agricultural tractors and machines equipped with front loaders and having a maximum load capacity of 30 kN and a maximum unladen tractor weight of 7 500 kg.

2 Terms and definitions

For the purposes of this document, the following terms and definitions apply.

2.1

front loader

detachable unit consisting of lifting arms and fastening devices designed to be mounted on a frame on the front of a tractor and equipped with a carriage for mounting various attachments

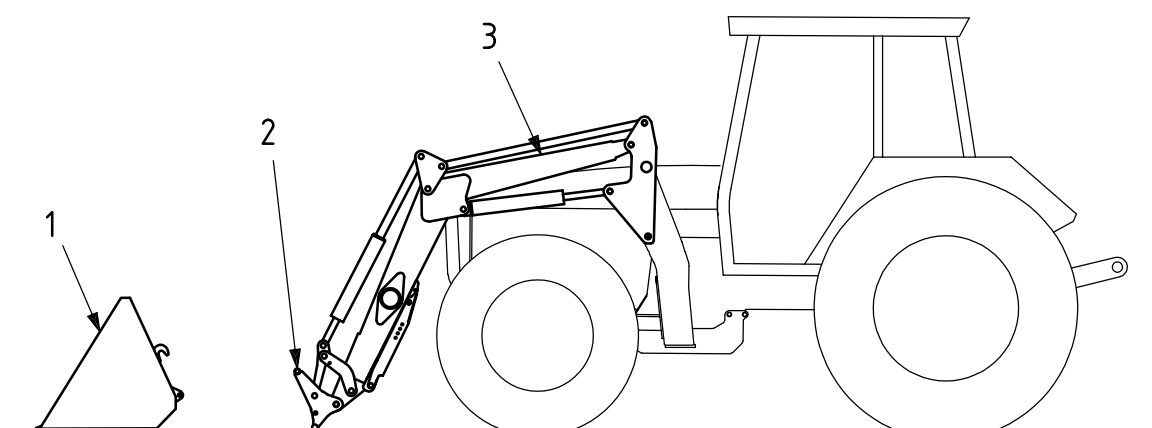
See Figure 1.

2.2

attachment

working device to be mounted on and operated with a front loader

See Figure 1.



Key

- 1 attachment
- 2 carriage
- 3 lifting arm

Figure 1 — Tractor with front loader and an attachment

2.3 carriage

coupler assembly at the front loader arm end for mounting various attachments to the front loader

See Figure 1.

2.4 maximum load capacity

maximum vertical lift capacity generated at a point 800 mm horizontal in front of the locking pin of the carriage, when operating the lift and/or tilt cylinders

See Figure 2.

Dimensions in millimetres

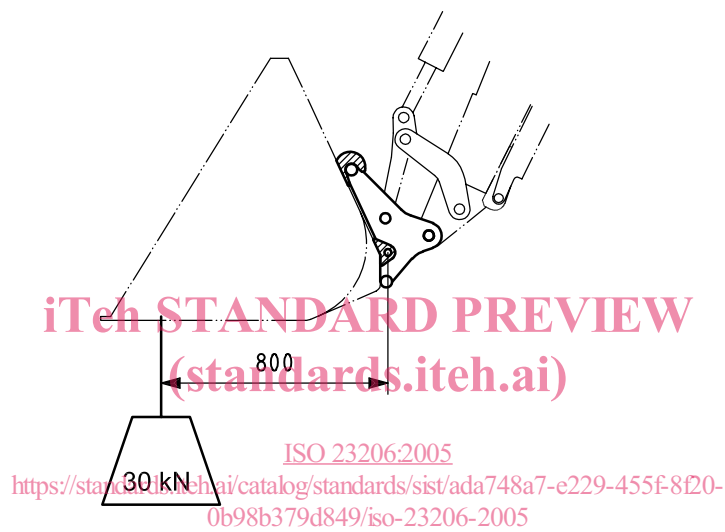


Figure 2 — Maximum load capacity

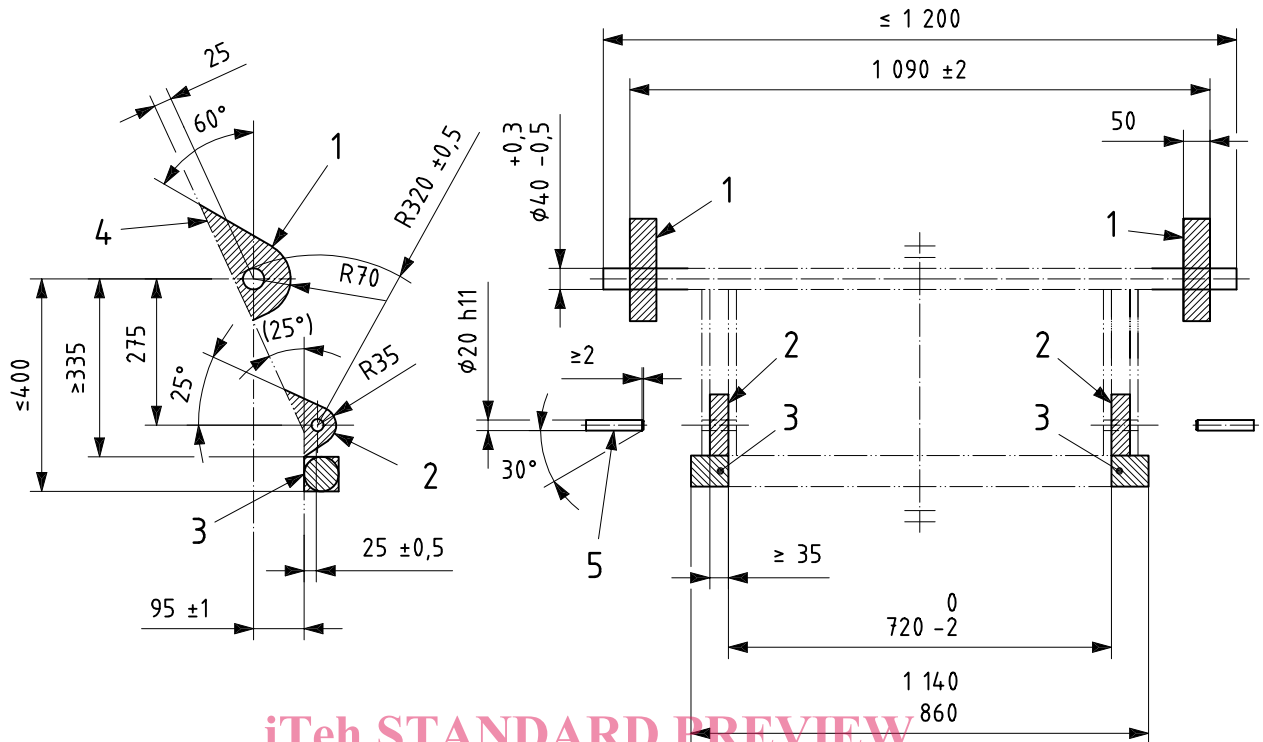
3 Dimensions and clearances

The carriage dimensions and the dimensions associated with the attachment shall be in accordance with Figures 3 and 4.

For the carriage clearance zones, see Figure 3.

For the clearance at the back of the attachment, see Figure 5.

Dimensions in millimetres



iTeh STANDARD PREVIEW
(standards.iteh.ai)

Key

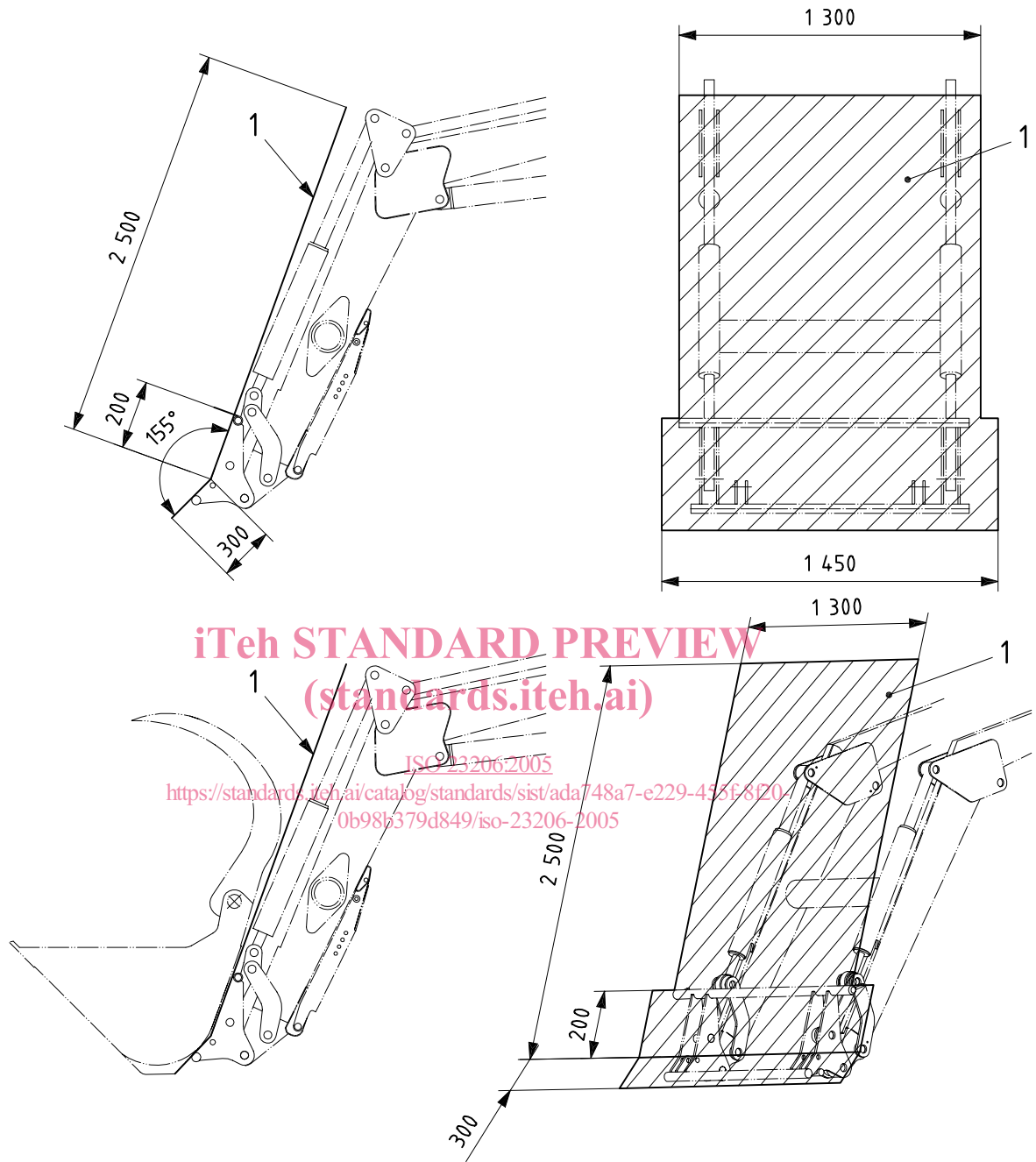
- 1 clearance zone for hook
- 2 clearance zone for eyelet
- 3 buffer for attachment
- 4 border of front of carriage
- 5 locking pin

ISO 23206:2005

<https://standards.iteh.ai/catalog/standards/sist/ada748a7-e229-455f-8f20-0b98b379d849/iso-23206-2005>

Figure 3 — Carriage dimensions and clearances

Dimensions in millimetres



Key

1 clearance

Figure 5 — Clearance at back of attachment