



**SLOVENSKI STANDARD**  
**SIST EN 15649-4:2010/kFprA1:2011**  
**01-oktober-2011**

---

**Plavajoči pripomočki za prosti čas, ki se uporabljajo na vodi in v njej - 4. del:  
Dodatne posebne varnostne zahteve in preskusne metode za pripomočke razreda  
B**

Floating leisure articles for use on and in the water - Part 4: Additional specific safety requirements and test methods for Class B devices

Schwimmende Freizeitartikel zum Gebrauch auf und im Wasser - Teil 4: Zusätzliche spezifische sicherheitstechnische Anforderungen und Prüfverfahren für Klasse B-Geräte

Articles de loisirs flottants à utiliser sur ou dans l'eau - Partie 4: Exigences de sécurité et méthodes d'essai complémentaires propres aux dispositifs de classe B

**Ta slovenski standard je istoveten z: EN 15649-4:2010/FprA1**

---

**ICS:**

97.220.40	Oprema za športe na prostem in vodne športe	Outdoor and water sports equipment
-----------	---	------------------------------------

**SIST EN 15649-4:2010/kFprA1:2011**      **en,fr,de**



EUROPEAN STANDARD  
NORME EUROPÉENNE  
EUROPÄISCHE NORM

**FINAL DRAFT**  
**EN 15649-4:2010**

**FprA1**

July 2011

---

ICS 97.220.40

English Version

**Floating leisure articles for use on and in the water - Part 4:  
Additional specific safety requirements and test methods for  
Class B devices**

Articles de loisirs flottants à utiliser sur ou dans l'eau -  
Partie 4: Exigences de sécurité et méthodes d'essai  
complémentaires propres aux dispositifs de classe B

Schwimmende Freizeitartikel zum Gebrauch auf und im  
Wasser - Teil 4: Zusätzliche spezifische  
sicherheitstechnische Anforderungen und Prüfverfahren für  
Klasse B-Geräte

This draft amendment is submitted to CEN members for unique acceptance procedure. It has been drawn up by the Technical Committee CEN/TC 136.

This draft amendment A1, if approved, will modify the European Standard EN 15649-4:2010. If this draft becomes an amendment, CEN members are bound to comply with the CEN/CENELEC Internal Regulations which stipulate the conditions for inclusion of this amendment into the relevant national standard without any alteration.

This draft amendment was established by CEN in three official versions (English, French, German). A version in any other language made by translation under the responsibility of a CEN member into its own language and notified to the CEN-CENELEC Management Centre has the same status as the official versions.

CEN members are the national standards bodies of Austria, Belgium, Bulgaria, Croatia, Cyprus, Czech Republic, Denmark, Estonia, Finland, France, Germany, Greece, Hungary, Iceland, Ireland, Italy, Latvia, Lithuania, Luxembourg, Malta, Netherlands, Norway, Poland, Portugal, Romania, Slovakia, Slovenia, Spain, Sweden, Switzerland and United Kingdom.

Recipients of this draft are invited to submit, with their comments, notification of any relevant patent rights of which they are aware and to provide supporting documentation.

**Warning** : This document is not a European Standard. It is distributed for review and comments. It is subject to change without notice and shall not be referred to as a European Standard.



EUROPEAN COMMITTEE FOR STANDARDIZATION  
COMITÉ EUROPÉEN DE NORMALISATION  
EUROPÄISCHES KOMITEE FÜR NORMUNG

**Management Centre: Avenue Marnix 17, B-1000 Brussels**

---

## Contents

Page

Foreword.....	3
1 <b>Modification to the Introduction.....</b>	<b>4</b>
2 <b>Modification to Clause 1 "Scope" .....</b>	<b>4</b>
3 <b>Modification to Clause 2 "Normative references" .....</b>	<b>4</b>
4 <b>Modification to Clause 5 "Exclusions" .....</b>	<b>4</b>
5 <b>Modifications to Annex B "Examples of typical products forming Class B" .....</b>	<b>4</b>

## Foreword

This document (EN 15649-4:2010/FprA1:2011) has been prepared by Technical Committee CEN/TC 136 “Sports, playground and other recreational facilities and equipment”, the secretariat of which is held by DIN.

This document is currently submitted to the Unique Acceptance Procedure.

This document has been prepared under a mandate given to CEN by the European Commission and the European Free Trade Association.

**EN 15649-4:2010/FprA1:2011 (E)****1 Modification to the Introduction**

Delete the 3<sup>rd</sup> indent "car shaped swim seats" and the 4<sup>th</sup> indent "animal shaped rafts" of the textbox "Typical products" for B1.

**2 Modification to Clause 1 "Scope"**

Delete the following text of the 2<sup>nd</sup> indent of NOTE 1: "(animal adaptations)"

Delete the following text of the 3<sup>rd</sup> indent of NOTE 1: "(animal, car imitation, etc.)"

**3 Modification to Clause 2 "Normative references"**

Replace "EN 15649-1:2009" with "EN 15649-1:2009+A1:2011" in Clause 2 and throughout the text.

**4 Modification to Clause 5 "Exclusions"**

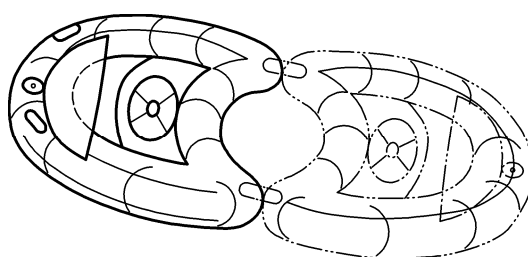
Add the following item:

"- Inflatable devices of type B may display the safety information at a location starting within 200 mm from an inflation valve."

**5 Modifications to Annex B "Examples of typical products forming Class B"**

Delete Figure B.1 and replace it with the following:

"



**Figure B.1 — Example of typical product forming Class B.1"**

Delete Figure B.2 and replace it with the following:

"

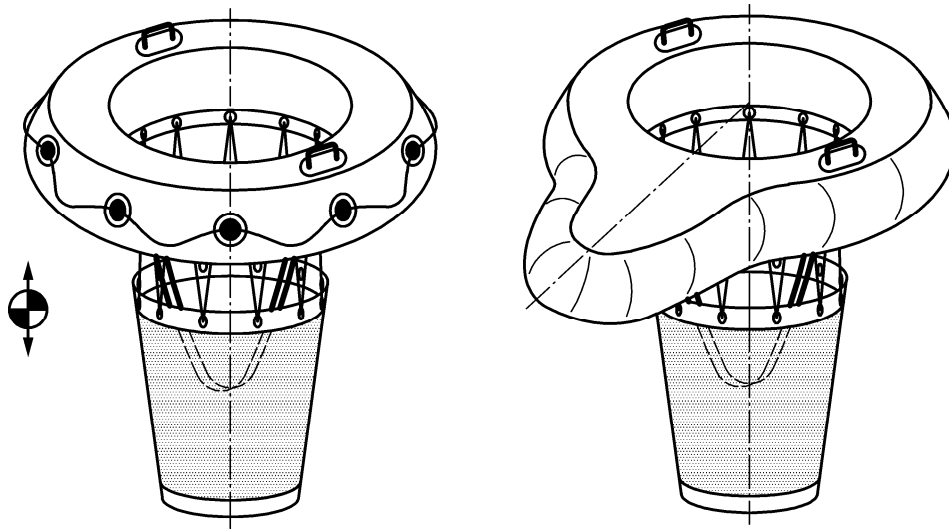


Figure B.2 — Example of typical product forming Class B.1"

Delete Figure B.3 and replace it with the following:

"

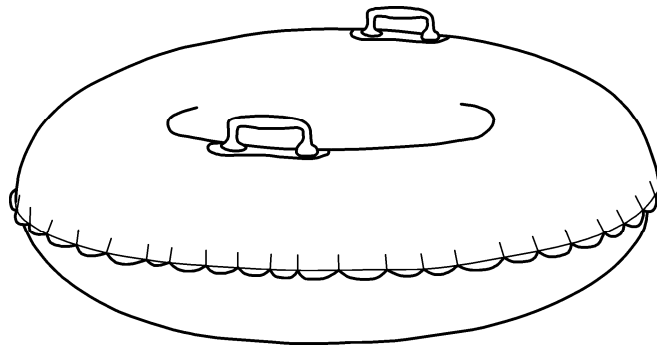


Figure B.3 — Example of typical product forming Class B.2.1"

Add the following Figure B.4:

"

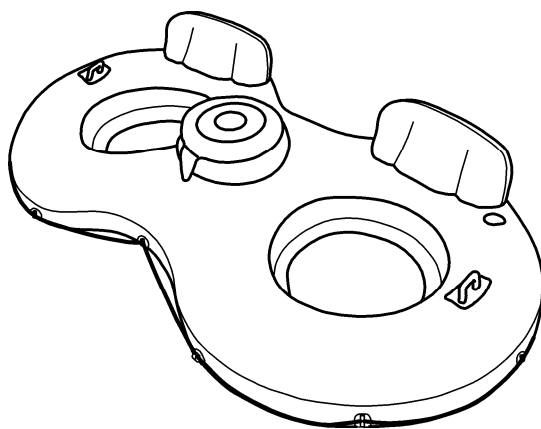


Figure B.4 — Example of typical product forming Class B.2.2"