



SLOVENSKI STANDARD

SIST EN 14468-1:2015

01-maj-2015

Nadomešča:
SIST EN 14468-1:2005

Namizni tenis - 1. del: Mize za namizni tenis, funkcionalne in varnostne zahteve ter preskusne metode

Table tennis - Part 1: Table tennis tables, functional and safety requirements, test methods

Tischtennis - Teil 1: Tischtennistische - Funktionelle und sicherheitstechnische Anforderungen, Prüfverfahren

Tennis de table - Partie 1 : Tables de tennis de table, exigences fonctionnelles et de sécurité, méthodes d'essai

STANDARD PREVIEW
(standards.iteh.ai)

Ta slovenski standard je istoveten z: EN 14468-1:2015

ICS:

97.220.30 Oprema za dvoranske športe Indoor sports equipment

SIST EN 14468-1:2015

en,fr,de

iTeh STANDARD PREVIEW
(standards.iteh.ai)

SIST EN 14468-1:2015

<https://standards.iteh.ai/catalog/standards/sist/79eb18d3-f911-4bcb-9712-77c97b2e2ba4/sist-en-14468-1-2015>

EUROPEAN STANDARD

EN 14468-1

NORME EUROPÉENNE

EUROPÄISCHE NORM

March 2015

ICS 97.220.30

Supersedes EN 14468-1:2004

English Version

Table tennis - Part 1: Table tennis tables, functional and safety requirements, test methods

Tennis de table - Partie 1 : Tables de tennis de table,
exigences fonctionnelles et de sécurité, méthodes d'essai

Tischtennis - Teil 1: Tischtennistische - Funktionelle und
sicherheitstechnische Anforderungen, Prüfverfahren

This European Standard was approved by CEN on 26 December 2014.

CEN members are bound to comply with the CEN/CENELEC Internal Regulations which stipulate the conditions for giving this European Standard the status of a national standard without any alteration. Up-to-date lists and bibliographical references concerning such national standards may be obtained on application to the CEN-CENELEC Management Centre or to any CEN member.

This European Standard exists in three official versions (English, French, German). A version in any other language made by translation under the responsibility of a CEN member into its own language and notified to the CEN-CENELEC Management Centre has the same status as the official versions.

CEN members are the national standards bodies of Austria, Belgium, Bulgaria, Croatia, Cyprus, Czech Republic, Denmark, Estonia, Finland, Former Yugoslav Republic of Macedonia, France, Germany, Greece, Hungary, Iceland, Ireland, Italy, Latvia, Lithuania, Luxembourg, Malta, Netherlands, Norway, Poland, Portugal, Romania, Slovakia, Slovenia, Spain, Sweden, Switzerland, Turkey and United Kingdom.

[SIST EN 14468-1:2015](https://standards.iteh.ai/catalog/standards/sist/79eb18d3-f911-4bcb-9712-77c97b2e2ba4/sist-en-14468-1-2015)

<https://standards.iteh.ai/catalog/standards/sist/79eb18d3-f911-4bcb-9712-77c97b2e2ba4/sist-en-14468-1-2015>



EUROPEAN COMMITTEE FOR STANDARDIZATION
COMITÉ EUROPÉEN DE NORMALISATION
EUROPÄISCHES KOMITEE FÜR NORMUNG

CEN-CENELEC Management Centre: Avenue Marnix 17, B-1000 Brussels

| Contents | Page |
|---|-------------|
| Foreword..... | 3 |
| 1 Scope | 5 |
| 2 Normative references | 5 |
| 3 Terms and definitions | 5 |
| 4 Classification and components | 6 |
| 5 Functional requirements | 9 |
| 5.1 Dimensions | 9 |
| 5.2 Weight | 17 |
| 5.3 Playing surface | 17 |
| 5.4 Undercarriage | 19 |
| 5.5 Horizontal deviation | 19 |
| 5.6 Residual height reduction | 20 |
| 5.7 Unfolding of a tabletop of a rollaway table | 20 |
| 5.8 Additional requirements and recommendations for tables for wheelchair play | 20 |
| 6 Safety requirements | 20 |
| 6.1 Table in playing and in playback position | 20 |
| 6.2 Table in storage position | 21 |
| 6.3 Locking systems | 21 |
| 6.4 Functioning of the rolling devices | 23 |
| 6.5 Construction of the permanent net post | 23 |
| 6.6 Mobile parts and fixations | 23 |
| 6.7 Table Type 4 in storage and playback position | 23 |
| 6.8 Table finish | 23 |
| 6.9 Additional parts | 23 |
| 7 Test methods | 24 |
| 7.1 General | 24 |
| 7.2 Flatness | 24 |
| 7.3 Degree of gloss | 24 |
| 7.4 Ball bounce | 24 |
| 7.5 Climatic stresses for outdoor tabletops | 25 |
| 7.6 Horizontal deviation | 26 |
| 7.7 Table in playing and in playback position | 26 |
| 7.8 Table of Types 3 to 5 in storage position | 27 |
| 7.9 Testing of rolling and locking devices | 27 |
| 8 Environmental aspects | 29 |
| 9 Information supplied by the manufacturer | 30 |
| 9.1 General | 30 |
| 9.2 Assembly instructions | 30 |
| 9.3 Operating instructions | 30 |
| 10 Marking | 31 |
| Annex A (informative) Use of materials | 32 |
| Annex B (informative) Optional pendulum test | 33 |
| Bibliography | 35 |

Foreword

This document (EN 14468-1:2015) has been prepared by Technical Committee CEN/TC 136 "Sports, playground and other recreational facilities and equipment", the secretariat of which is held by DIN.

This European Standard shall be given the status of a national standard, either by publication of an identical text or by endorsement, at the latest by September 2015, and conflicting national standards shall be withdrawn at the latest by September 2015.

Attention is drawn to the possibility that some of the elements of this document may be the subject of patent rights. CEN [and/or CENELEC] shall not be held responsible for identifying any or all such patent rights.

This document supersedes EN 14468-1:2004.

EN 14468 *Table tennis* consists of the following parts:

- *Part 1: Table tennis tables, functional and safety requirements, test methods*
- *Part 2: Posts for net assemblies, Requirements and test methods*

In relation to EN 14468-1:2004 the following main amendments have been made:

- a) new terms were added;
- b) in 5.1 "Dimensions", new figures with the title "Parts under the heights of cross braces" were added;
- c) in Table 3 "Dimensions related to the tabletop and the undercarriage of Classes A to D", new dimensions were added;
- d) in 5.3.1, requirements for material were added;
- e) in 5.3.6.2 "frame reinforcements", the requirement for wheelchair table tennis was deleted;
- f) in Clause 5 "Functional requirements", new subclauses "5.6 Residual height reduction" and "5.8 Additional requirements for tables for wheelchair play" were added;
- g) in Clause 6 "Safety requirements", new subclauses "6.1.1 General", "6.1.4 Safety area", "6.8 Table finish" and "6.9 Additional parts" were added;
- h) in 6.3.1.1 "Storage position of the tabletop", new requirements were added;
- i) in 6.3.1.1, Table 6 "Locking devices and unlocking actions" was added;
- j) in Clause 7 "Test methods", 7.1 "General" was updated;
- k) in Clause 7, 7.4 "Ball bounce", a new requirement was added;
- l) Clause 8 "Environmental aspects" was added;
- m) a new figure was added in Clause 10 "Marking";
- n) new Annex A "Optional pendulum test" was added.

According to the CEN/CENELEC Internal Regulations, the national standards organizations of the following countries are bound to implement this European Standard: Austria, Belgium, Bulgaria, Croatia, Cyprus, Czech

EN 14468-1:2015 (E)

Republic, Denmark, Estonia, Finland, Former Yugoslav Republic of Macedonia, France, Germany, Greece, Hungary, Iceland, Ireland, Italy, Latvia, Lithuania, Luxembourg, Malta, Netherlands, Norway, Poland, Portugal, Romania, Slovakia, Slovenia, Spain, Sweden, Switzerland, Turkey and the United Kingdom.

iTeh STANDARD PREVIEW
(standards.iteh.ai)

SIST EN 14468-1:2015

<https://standards.iteh.ai/catalog/standards/sist/79eb18d3-f911-4bcb-9712-77c97b2e2ba4/sist-en-14468-1-2015>

1 Scope

This European Standard specifies functional requirements (see Clause 5) and safety requirements (see Clause 6) for table tennis tables hereafter referred to as tables. They are applicable for tables used only for playing table tennis and take no account of the consequences of any misuse.

This European Standard is applicable to five types of tables (see Table 2) within the Classes A to D (see Table 1).

This European Standard excludes table tennis tables which are installed in locations covered by EN 1176 and EN 15312.

2 Normative references

The following documents, in whole or in part, are normatively referenced in this document and are indispensable for the application. For dated references, only the edition cited applies. For undated references, the latest edition of the referenced document (including any amendments) applies.

EN 14468-2, *Table tennis — Part 2: Posts for net assemblies — Requirements and test methods*

EN ISO 2813, *Paints and varnishes - Determination of gloss value at 20°, 60° and 85° (ISO 2813)*

ISO 7001, *Graphical symbols — Public information symbols*

3 Terms and definitions

For the purposes of this document, the following terms and definitions apply.

3.1

table tennis table <https://standards.iteh.ai/catalog/standards/sist/79eb18d3-f911-4bcb-9712-751512e2ba4/sist-en-14468-1-2015>
complete equipment without net assembly

3.2

tabletop

half of the table, divided at the net without any undercarriage

Note 1 to entry: It includes the playing board, the finish and lines of the playing surface, the frames and other reinforcements under the board especially around its end and side, the markings on the frames and any device holding or attaching together both halves.

3.3

full tabletop

two tabletops assembled in the playing position

3.4

undercarriage

all of the elements whose principal function is to support the tabletop

3.5

playing position

both tabletops are in a horizontal position with net assembly attached

3.6

playback position

one tabletop is in a horizontal and the other one in a vertical position with the net assembly attached

EN 14468-1:2015 (E)**3.7****storage position**

both tabletops are in a vertical position

3.8**net assembly**

net, its suspension and the supporting posts, including the system attaching it to the table

3.9**player's safety area**

area in which all parts of the undercarriage have to comply with the dimensions intended to prevent the player from getting hurt

3.10**table weight**

weight of the table including all the parts of it that are carried together (excluding packaging)

3.11**table skirt**

removable rigid or flexible element fixed to the table to cover and hide the undercarriage partly or completely

3.12**table also suitable for wheelchair play**

table meeting the additional requirements for wheelchair play

3.13**leg of the table**

part of the undercarriage which touches the ground, possible wheels are included

3.14**outdoor table**

table tennis table designed to stay in open air and under the weather conditions as they occur outside buildings and roofs

3.15**locking device**

system which prevents unintended unfolding or folding of legs, leg pairs or tabletops, and which is placed and built accordingly

4 Classification and components

Tables are grouped by the intended end-use (classes) and the design (types) as shown in Table 1 and Table 2. Figure 6 shows the component parts of the table.

Table 1 — Classes

| Class | Intended end-use |
|--------------|------------------------------------|
| A | High competition |
| B | School and club sports |
| C | Recreational sports (high quality) |
| D | Recreational sports |

Table 2 — Types

| Type | Description | Examples |
|------|---|----------|
| 1 | Stationary table with an undercarriage for the tabletop which cannot be folded | Figure 1 |
| 2 | Stationary table with two separate tabletops with folding undercarriages | Figure 2 |
| 3 | Rollaway table with two separate tabletops each having its affixed folding undercarriage | Figure 3 |
| 4 | Rollaway table with an undercarriage for both tabletops that can be folded independently from each other | Figure 4 |
| 5 | Rollaway table with an undercarriage for both tabletops which can only be folded together with each other | Figure 5 |

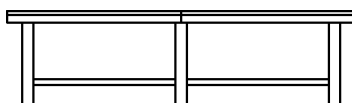
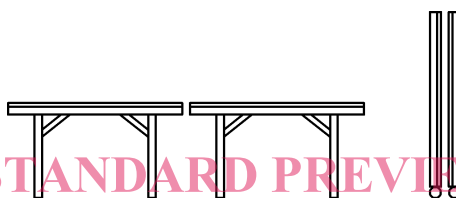


Figure 1 — Example of Type 1



iTeh STANDARD PREVIEW
(standards.iteh.ai)

Figure 2 — Example of Type 2

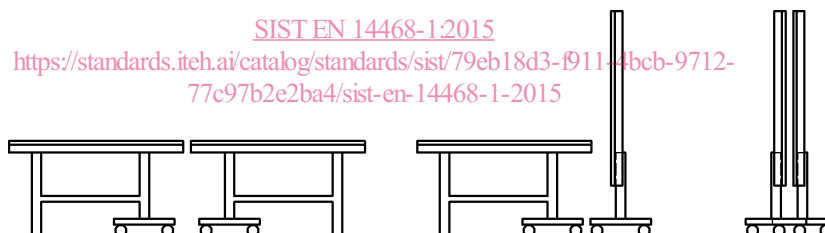


Figure 3 — Example of Type 3

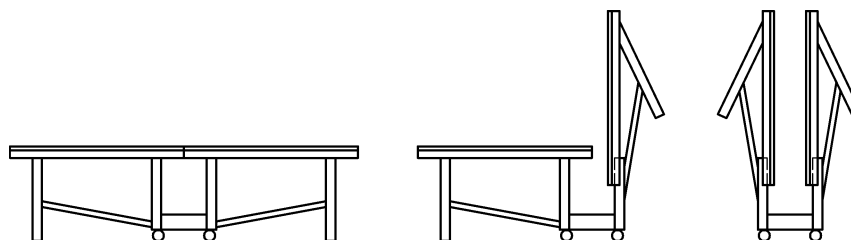


Figure 4 — Example of Type 4

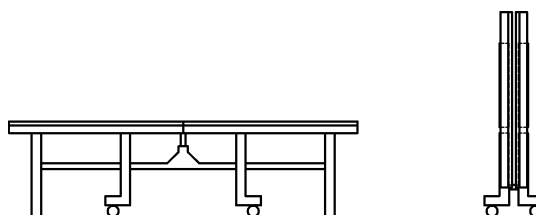
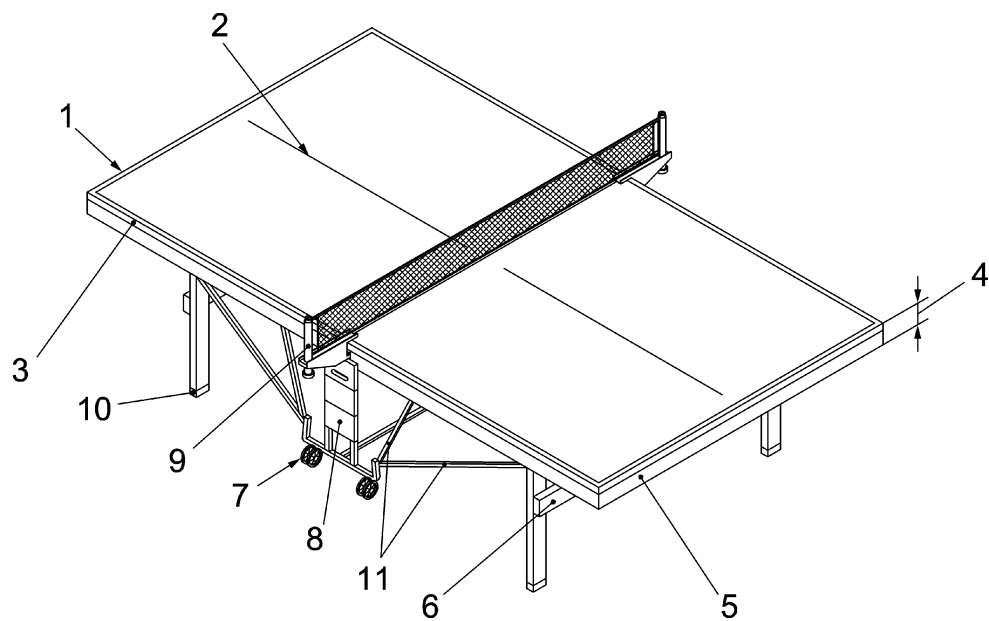
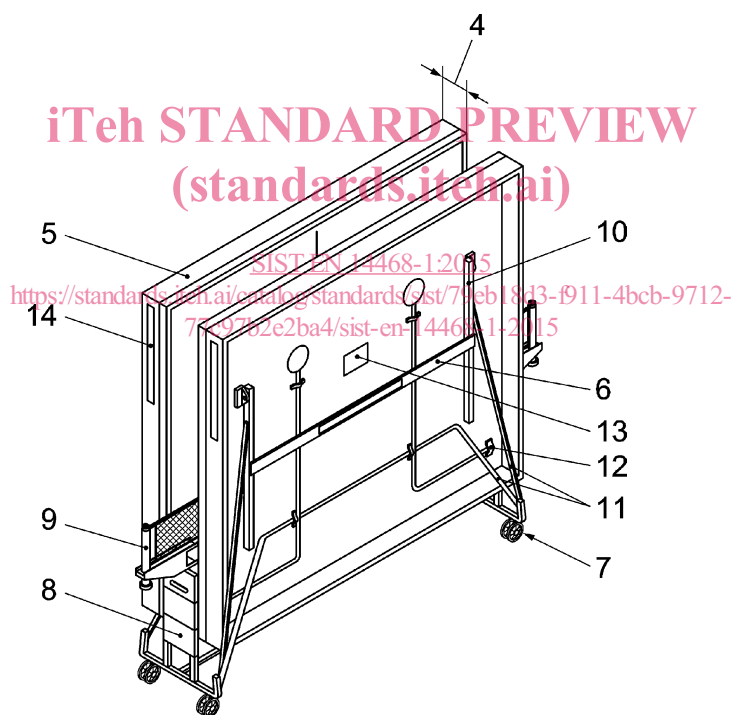


Figure 5 — Example of Type 5



a) Playing position



b) Storage position

Key

| | | | |
|---|--------------------------------|----|-----------------------------------|
| 1 | End line | 8 | Undercarriage |
| 2 | Centre line | 9 | Net assembly |
| 3 | Side-line | 10 | End leg |
| 4 | Tabletop | 11 | Strut or side cross bar |
| 5 | Frame | 12 | Safety device |
| 6 | End cross-bar or cross bracing | 13 | Operating and safety instructions |
| 7 | Wheel | 14 | Trademark and table name |

Figure 6 — Example of a 3-D view of a table

5 Functional requirements

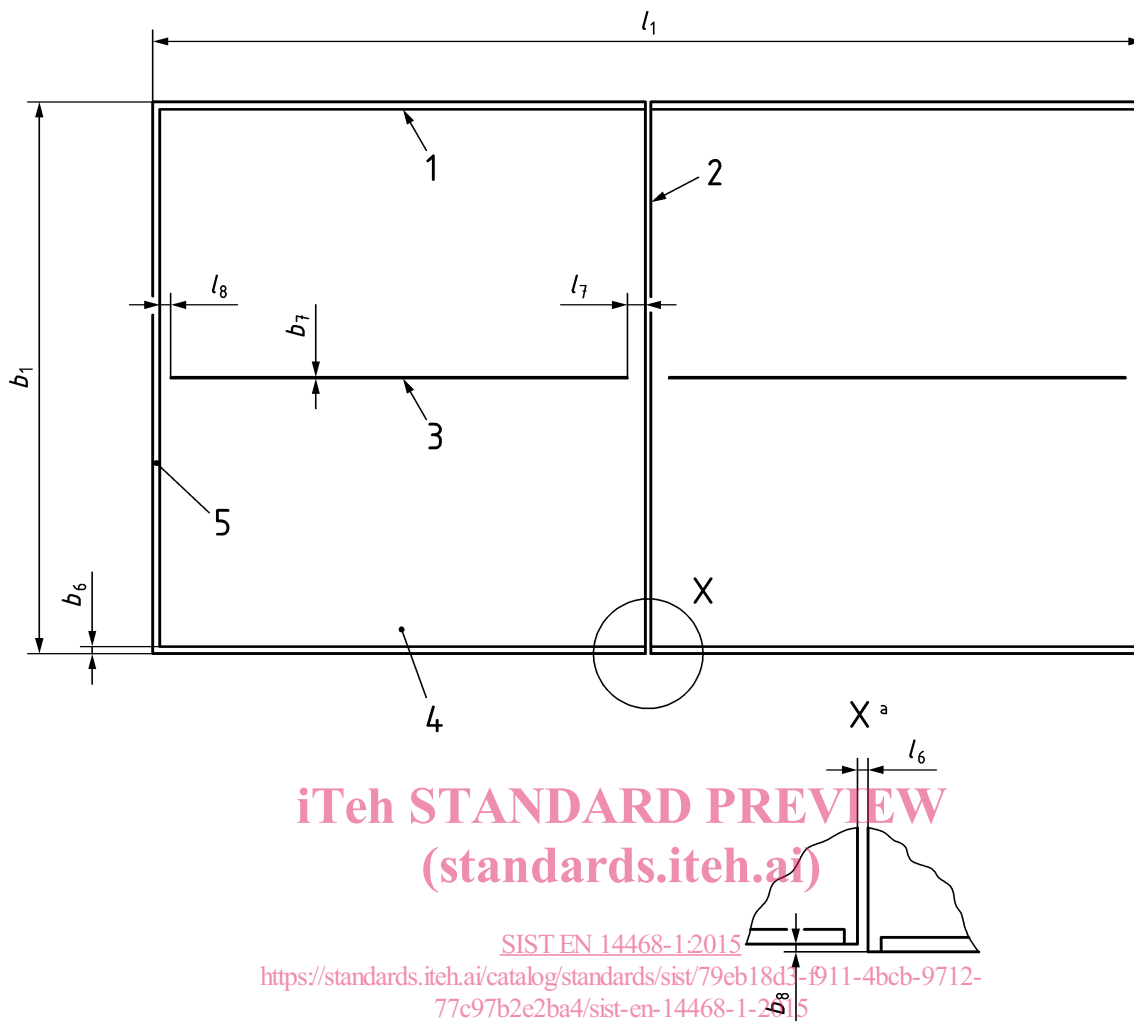
5.1 Dimensions

Tables shall comply with the dimensions shown in Table 3 and Figures 7 and 8.

iTeh STANDARD PREVIEW
(standards.iteh.ai)

SIST EN 14468-1:2015

<https://standards.iteh.ai/catalog/standards/sist/79eb18d3-f911-4bcb-9712-77c97b2e2ba4/sist-en-14468-1-2015>

**Key**

- 1 Side-line
- 2 Net area or net end
- 3 Centre line
- 4 Tabletop surface
- 5 End line or table end

Figure 7 — Dimensions related to tabletop surface