



SLOVENSKI STANDARD

SIST EN 14468-2:2015

01-maj-2015

Nadomešča:

SIST EN 14468-2:2005

Namizni tenis - 2. del: Stojala za pritrditev mrežice - Zahteve in preskusne metode

Table tennis - Part 2: Posts for net assemblies - Requirements and test methods

Tischtennis - Teil 2: Pfosten von Netzgarnituren - Anforderungen und Prüfverfahren

Tennis de table - Partie 2 : Filets et leurs accessoires - Exigences et méthodes d'essai

iTeh STANDARD PREVIEW
(standards.iteh.ai)

Ta slovenski standard je istoveten z: EN 14468-2:2015

<https://standards.iteh.ai/catalog/standards/sist/98382c0b-dd7f-49cf-ba12-68f73f804d/sist-en-14468-2-2015>

ICS:

97.220.30 Oprema za dvoranske športe Indoor sports equipment

SIST EN 14468-2:2015

en,fr,de

iTeh STANDARD PREVIEW
(standards.iteh.ai)

SIST EN 14468-2:2015

<https://standards.iteh.ai/catalog/standards/sist/98382c0b-dd7f-49cf-ba12-68f73ff804f9/sist-en-14468-2-2015>

EUROPEAN STANDARD

EN 14468-2

NORME EUROPÉENNE

EUROPÄISCHE NORM

March 2015

ICS 97.220.30

Supersedes EN 14468-2:2005

English Version

Table tennis - Part 2: Posts for net assemblies - Requirements and test methods

Tennis de table - Partie 2: Filets et leurs accessoires -
Exigences et méthodes d'essai

Tischtennis - Teil 2: Pfosten von Netzgarnituren -
Anforderungen und Prüfverfahren

This European Standard was approved by CEN on 26 December 2014.

CEN members are bound to comply with the CEN/CENELEC Internal Regulations which stipulate the conditions for giving this European Standard the status of a national standard without any alteration. Up-to-date lists and bibliographical references concerning such national standards may be obtained on application to the CEN-CENELEC Management Centre or to any CEN member.

This European Standard exists in three official versions (English, French, German). A version in any other language made by translation under the responsibility of a CEN member into its own language and notified to the CEN-CENELEC Management Centre has the same status as the official versions.

CEN members are the national standards bodies of Austria, Belgium, Bulgaria, Croatia, Cyprus, Czech Republic, Denmark, Estonia, Finland, Former Yugoslav Republic of Macedonia, France, Germany, Greece, Hungary, Iceland, Ireland, Italy, Latvia, Lithuania, Luxembourg, Malta, Netherlands, Norway, Poland, Portugal, Romania, Slovakia, Slovenia, Spain, Sweden, Switzerland, Turkey and United Kingdom.

[SIST EN 14468-2:2015](https://standards.iteh.ai/catalog/standards/sist/98382c0b-dd7f-49cf-ba12-68f73ff804f9/sist-en-14468-2-2015)

<https://standards.iteh.ai/catalog/standards/sist/98382c0b-dd7f-49cf-ba12-68f73ff804f9/sist-en-14468-2-2015>



EUROPEAN COMMITTEE FOR STANDARDIZATION
COMITÉ EUROPÉEN DE NORMALISATION
EUROPÄISCHES KOMITEE FÜR NORMUNG

CEN-CENELEC Management Centre: Avenue Marnix 17, B-1000 Brussels

Contents		Page
Foreword.....		3
1	Scope	4
2	Normative references	4
3	Terms and definitions	4
4	Classification.....	5
5	Functional requirements.....	5
5.1	Dimensions.....	5
5.2	Net supporting posts.....	8
5.3	Devices for attaching	9
6	Safety requirements	10
7	Test methods.....	10

iTeh STANDARD PREVIEW
(standards.iteh.ai)

[SIST EN 14468-2:2015](https://standards.iteh.ai/catalog/standards/sist/98382c0b-dd7f-49cf-ba12-68f73ff804f9/sist-en-14468-2-2015)

<https://standards.iteh.ai/catalog/standards/sist/98382c0b-dd7f-49cf-ba12-68f73ff804f9/sist-en-14468-2-2015>

Foreword

This document (EN 14468-2:2015) has been prepared by Technical Committee CEN/TC 136 "Sports, playground and other recreational facilities and equipment", the secretariat of which is held by DIN.

This European Standard shall be given the status of a national standard, either by publication of an identical text or by endorsement, at the latest by September 2015, and conflicting national standards shall be withdrawn at the latest by September 2015.

Attention is drawn to the possibility that some of the elements of this document may be the subject of patent rights. CEN [and/or CENELEC] shall not be held responsible for identifying any or all such patent rights.

This document supersedes EN 14468-2:2005.

EN 14468 *Table tennis* consists of the following parts:

- *Part 1: Table tennis tables, functional and safety requirements, test methods*
- *Part 2: Posts for net assemblies, Requirements and test methods*

In relation to EN 14468-2:2005, the following changes have been made:

- a) additional functional requirements were added for 5.2 "net supporting posts";
- b) Clause 6 "Safety requirements" was specified more precisely.

According to the CEN/CENELEC Internal Regulations, the national standards organizations of the following countries are bound to implement this European Standard: Austria, Belgium, Bulgaria, Croatia, Cyprus, Czech Republic, Denmark, Estonia, Finland, Former Yugoslav Republic of Macedonia, France, Germany, Greece, Hungary, Iceland, Ireland, Italy, Latvia, Lithuania, Luxembourg, Malta, Netherlands, Norway, Poland, Portugal, Romania, Slovakia, Slovenia, Spain, Sweden, Switzerland, Turkey and the United Kingdom.

EN 14468-2:2015 (E)**1 Scope**

This European Standard specifies requirements for net assemblies permanently or temporarily attached to a table tennis table in accordance with EN 14468-1.

2 Normative references

The following documents, in whole or in part, are normatively referenced in this document and are indispensable for its application. For dated references, only the edition cited applies. For undated references, the latest edition of the referenced document (including any amendments) applies.

EN 14468-1:2015, *Table tennis — Part 1: Table tennis tables, functional and safety requirements, test methods*

3 Terms and definitions

For the purposes of this document, the terms and definitions given in EN 14468-1:2015 and the following apply.

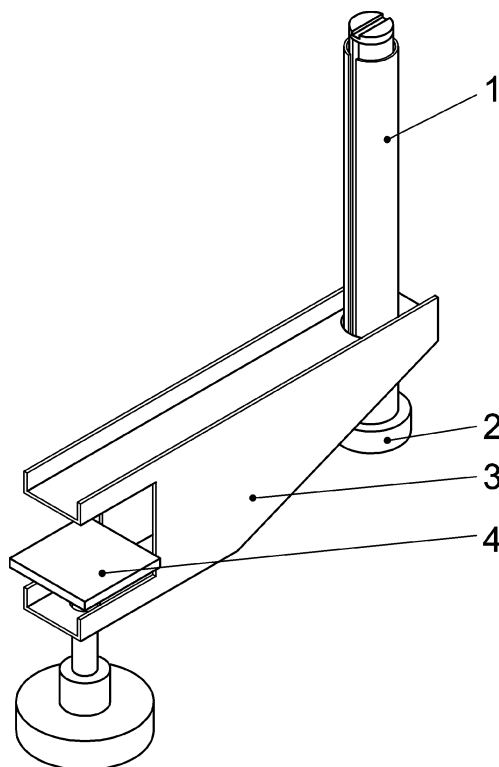
3.1**net supporting post**

device consisting of a vertical post, a horizontal part and an attaching system

Note 1 to entry: An example of a net post is shown in Figure 1.

Note 2 to entry: In this document the net supporting post may be called net post.

iTeH STANDARD PREVIEW
(standards.iteh.ai)
SIST EN 14468-2:2015
<https://standards.iteh.ai/catalog/standards/sist/98382c0b-dd7f-49cf-ba12-68f73ff804f9/sist-en-14468-2-2015>

**Key**

- 1 upright post
- 2 height adjustment
- 3 horizontal part
- 4 attaching system (clamp)

iTeh STANDARD PREVIEW
(standards.iteh.ai)

SIST EN 14468-2:2015

<https://standards.iteh.ai/catalog/standards/sist/98382c0b-dd7f-49cf-ba12-68f73ff804f9/sist-en-14468-2-2015>

Figure 1 — Example of a net post

4 Classification

Net assemblies are classified by the intended end-use (classes) as shown in Table 1.

Table 1 — Classes

Class	Intended end-use
A	High competition
B	School and club sports
C, D	Recreational sports

5 Functional requirements

5.1 Dimensions

Net posts shall comply with the dimensions shown in Figures 2 to 4 and Table 2.

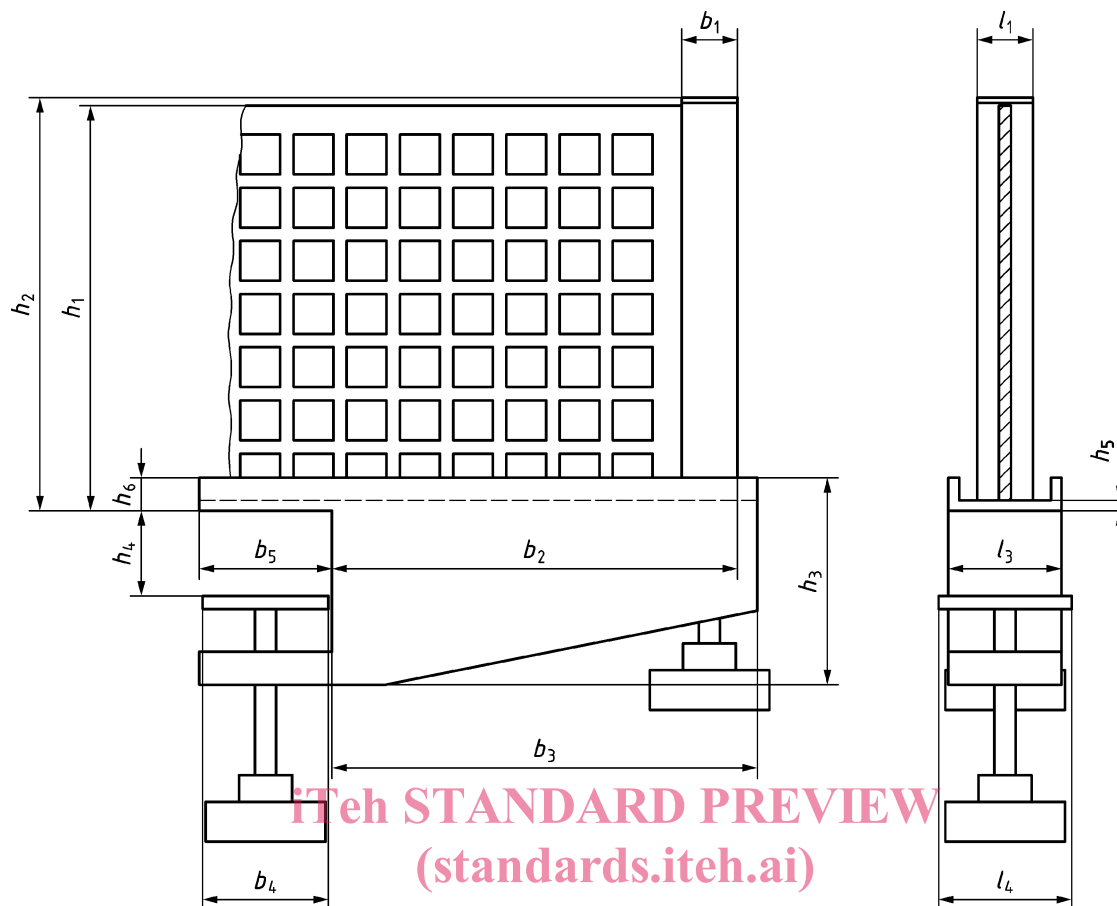


Figure 2 — Dimensions of net supporting and attaching systems

SIST EN 14468-2:2015
<https://standards.iteh.ai/catalog/standards/sist/98382c06-dd71-49cf-ba12-68f73ff804f9/sist-en-14468-2-2015>

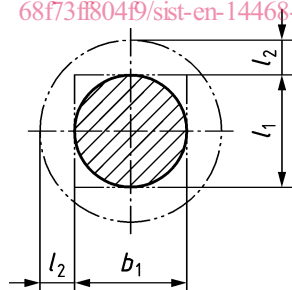


Figure 3 — Cross-section of upright post and limits for the protection of adjusting device

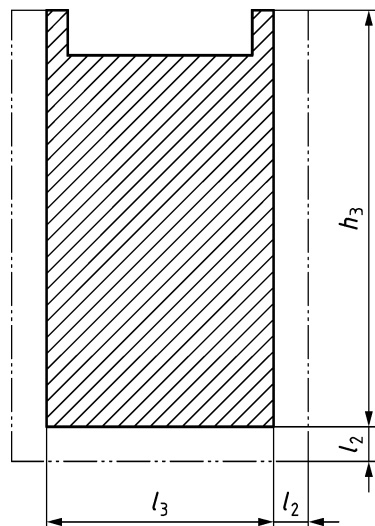


Figure 4 — Cross-section of horizontal part of the netpost and limits for the protection of adjusting devices

iTeh STANDARD PREVIEW
(standards.iteh.ai)

[SIST EN 14468-2:2015](https://standards.iteh.ai/catalog/standards/sist/98382c0b-dd7f-49cf-ba12-68f73ff804f9/sist-en-14468-2-2015)

<https://standards.iteh.ai/catalog/standards/sist/98382c0b-dd7f-49cf-ba12-68f73ff804f9/sist-en-14468-2-2015>