



SLOVENSKI STANDARD

SIST EN 13451-2:2016

01-marec-2016

Nadomešča:

SIST EN 13451-2:2002

SIST EN 13451-2:2002/AC:2003

Oprema za plavalne bazene - 2. del: Dodatne posebne varnostne zahteve in preskusne metode za lestve, stopnice in ročaje

Swimming pool equipment - Part 2: Additional specific safety requirements and test methods for ladders, stepladders and handle bends

iTeh STANDARD PREVIEW

Schwimmbadgeräte - Teil 2: Zusätzliche besondere sicherheitstechnische Anforderungen und Prüfverfahren für Leitern, Treppenleitern und Griffbögen

[SIST EN 13451-2:2016](https://standards.iteh.ai/catalog/standards/sis/111589aa-dbf4-4e28-8d5e-a30e479375b5/sist-en-13451-2-2016)

Équipement de piscine - Partie 2: Exigences de sécurité et méthodes d'essai complémentaires propres aux échelles verticales, aux échelles à inclinaison et aux mains courantes

Ta slovenski standard je istoveten z: EN 13451-2:2015

ICS:

97.220.10 Športni objekti Sports facilities

SIST EN 13451-2:2016 en,fr,de

iTeh STANDARD PREVIEW
(standards.iteh.ai)

SIST EN 13451-2:2016

<https://standards.iteh.ai/catalog/standards/sist/111589aa-dbf4-4e28-8d5e-a30e47c875b5/sist-en-13451-2-2016>

EUROPEAN STANDARD

EN 13451-2

NORME EUROPÉENNE

EUROPÄISCHE NORM

December 2015

ICS 97.220.10

Supersedes EN 13451-2:2001

English Version

Swimming pool equipment - Part 2: Additional specific safety requirements and test methods for ladders, stepladders and handle bends

Équipement de piscine - Partie 2: Exigences de sécurité et méthodes d'essai complémentaires propres aux échelles verticales, aux échelles à inclinaison et aux mains courantes

Schwimmbadgeräte - Teil 2: Zusätzliche besondere sicherheitstechnische Anforderungen und Prüfverfahren für Leitern, Treppenleitern und Griffbögen

This European Standard was approved by CEN on 7 November 2015.

CEN members are bound to comply with the CEN/CENELEC Internal Regulations which stipulate the conditions for giving this European Standard the status of a national standard without any alteration. Up-to-date lists and bibliographical references concerning such national standards may be obtained on application to the CEN-CENELEC Management Centre or to any CEN member.

This European Standard exists in three official versions (English, French, German). A version in any other language made by translation under the responsibility of a CEN member into its own language and notified to the CEN-CENELEC Management Centre has the same status as the official versions.

CEN members are the national standards bodies of Austria, Belgium, Bulgaria, Croatia, Cyprus, Czech Republic, Denmark, Estonia, Finland, Former Yugoslav Republic of Macedonia, France, Germany, Greece, Hungary, Iceland, Ireland, Italy, Latvia, Lithuania, Luxembourg, Malta, Netherlands, Norway, Poland, Portugal, Romania, Slovakia, Slovenia, Spain, Sweden, Switzerland, Turkey and United Kingdom.



EUROPEAN COMMITTEE FOR STANDARDIZATION
COMITÉ EUROPÉEN DE NORMALISATION
EUROPÄISCHES KOMITEE FÜR NORMUNG

CEN-CENELEC Management Centre: Avenue Marnix 17, B-1000 Brussels

Contents	Page
European foreword.....	3
1 Scope	5
2 Normative references	5
3 Terms and definitions	5
4 Safety requirements	5
4.1 Dimensions	5
4.1.1 General	5
4.1.2 Ladders	6
4.1.3 Stepladders	7
4.1.4 Handle bends	9
4.2 Structural integrity	10
4.3 Slip resistance	11
5 Test methods	11
6 Additional instructions for use	11
Annex A (informative) Examples of easier access to the pool to address the needs of older persons and persons with disabilities	12
Bibliography	13

SIST EN 13451-2:2016
<https://standards.iteh.ai/catalog/standards/sist/111589aa-dbf4-4e28-8d5e-a30e47c875b5/sist-en-13451-2-2016>

European foreword

This document (EN 13451-2:2015) has been prepared by Technical Committee CEN/TC 136 “Sports, playground and other recreational facilities and equipment”, the secretariat of which is held by DIN.

This European Standard shall be given the status of a national standard, either by publication of an identical text or by endorsement, at the latest by June 2016 and conflicting national standards shall be withdrawn at the latest by June 2016.

Attention is drawn to the possibility that some of the elements of this document may be the subject of patent rights. CEN [and/or CENELEC] shall not be held responsible for identifying any or all such patent rights.

This document supersedes EN 13451-2:2001.

In relation to EN 13451-2:2001, the following significant modifications have been made:

- a) the scope has been updated by referring to EN 15288-1 and EN 15288-2;
- b) the normative references have been updated;
- c) the terms and definitions have been modified;
- d) dimensions for the ladder have been modified;
- e) dimensions for the step ladder have been modified;
- f) examples of easier access to the pool to address the needs of older persons and persons with disabilities has been added as an informative annex;
- g) a bibliography has been added.

EN 13451, *Swimming pool equipment*, consists of the following parts:

- *Part 1: General safety requirements and test methods;*
- *Part 2: Additional specific safety requirements and test methods for ladders, stepladders and handle bends;*
- *Part 3: Additional specific safety requirements and test methods for inlets and outlets and water/air based water leisure features;*
- *Part 4: Additional specific safety requirements and test methods for starting platforms;*
- *Part 5: Additional specific safety requirements and test methods for lane lines and dividing line;*
- *Part 6: Additional specific safety requirements and test methods for turning boards;*
- *Part 7: Additional specific safety requirements and test methods for water polo goals;*
- *Part 10: Additional specific safety requirements and test methods for diving platforms, diving springboards and associated equipment;*

EN 13451-2:2015 (E)

— *Part 11: Additional specific safety requirements and test methods for moveable pool floors and moveable bulkheads.*

According to the CEN-CENELEC Internal Regulations, the national standards organizations of the following countries are bound to implement this European Standard: Austria, Belgium, Bulgaria, Croatia, Cyprus, Czech Republic, Denmark, Estonia, Finland, Former Yugoslav Republic of Macedonia, France, Germany, Greece, Hungary, Iceland, Ireland, Italy, Latvia, Lithuania, Luxembourg, Malta, Netherlands, Norway, Poland, Portugal, Romania, Slovakia, Slovenia, Spain, Sweden, Switzerland, Turkey and the United Kingdom.

iTeh STANDARD PREVIEW
(standards.iteh.ai)

SIST EN 13451-2:2016

<https://standards.iteh.ai/catalog/standards/sist/111589aa-dbf4-4e28-8d5e-a30e47c875b5/sist-en-13451-2-2016>

1 Scope

This part of EN 13451 specifies safety requirements for ladders, stepladders and handle bends in addition to the general safety requirements of EN 13451-1.

The requirements of this specific standard take priority over those in EN 13451-1.

This part of EN 13451 is applicable to manufactured ladders, stepladders and handle bends used for pool access and egress for use in classified swimming pools as specified in EN 15288-1 and EN 15288-2.

2 Normative references

The following documents, in whole or in part, are normatively referenced in this document and are indispensable for its application. For dated references, only the edition cited applies. For undated references, the latest edition of the referenced document (including any amendments) applies.

EN 13451-1:2011, *Swimming pool equipment - Part 1: General safety requirements and test methods*

3 Terms and definitions

For the purposes of this document, the terms and definitions given in EN 13451-1:2011 and the following apply.

3.1

ladder

vertical structure with horizontal treads and two handrails used for access and egress from the water to the surrounding area

3.2

stepladder

inclined structure with horizontal treads and handrail(s) used for access and egress from the water to the surrounding area

3.3

tread

area of the step which comes into contact with the foot of the user while ascending or descending

3.4

step

horizontal component intended to bear the load of the user

3.5

handle bends

structures designed to assist access and egress from the water to the surrounding area

4 Safety requirements

4.1 Dimensions

4.1.1 General

The dimensions indicated in the Figures 1 to 3 shall be complied with. The design of the equipment does not need to comply with the examples given.

The cross section of parts designed to be gripped can be round, oval, a rounded rectangular or elliptical and shall be between 25 mm and 50 mm.

EN 13451-2:2015 (E)

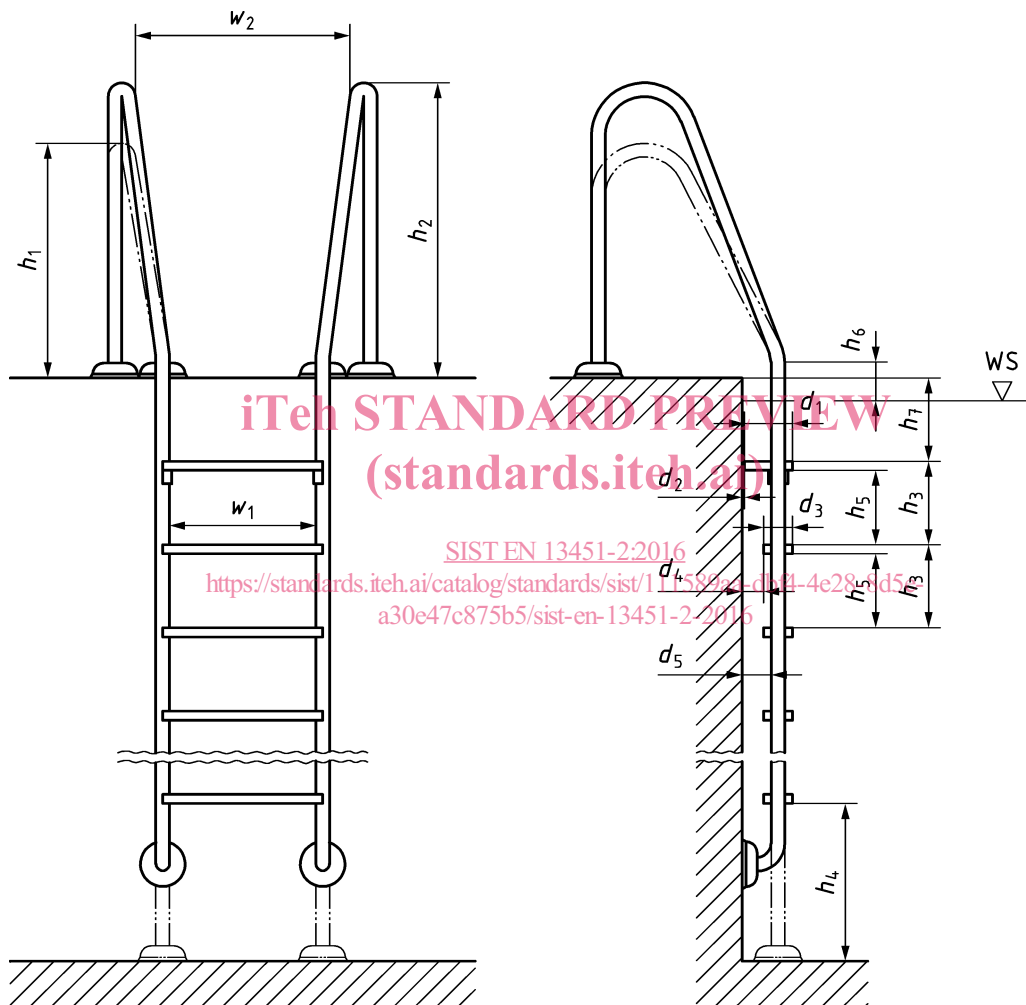
4.1.2 Ladders

NOTE Recessed ladders not protruding into the pool and asymmetric handle bends splaying to the pool surround and having a difference in height are preferred.

If there is a distance between w_1 and w_2 , then it shall widen in an even transition on each side.

The front edge of all other treads shall be in the same vertical plane as the first tread with the plane having a tolerance of ± 10 mm from the top to the bottom of the ladder.

The rise between each tread (h_3) shall be equal. The upper tread shall be flush with the pool edge or comply with the dimensions given in Figure 1 and Table 1.



Key

WS water surface

Figure 1 — Example of ladder

Table 1 — Dimensions of a ladder

Dimension in Figure 1	Minimum mm	Maximum mm
w_1	450	600
w_2	w_1	800
h_1	750	h_2
h_2	750	950
h_3	230	300
h_4	110	—
h_5	175	—
h_6	200	h_2
h_7	—	0
	or $h_{3/2}$	h_3
d_1	75	—
d_2	0	8
d_3	50	d_1
d_4	0	8
	or 25	75
d_5	25	110

iTeh STANDARD PREVIEW
(standards.iteh.ai)

SIST EN 13451-2:2016
<https://standards.iteh.ai/catalog/standards/sist/111589aa-dbf4-4e28-8d5e-a30e47c875b5/sist-en-13451-2-2016>

4.1.3 Stepladders

4.1.3.1 General

Stepladders shall have at least one handrail.

Treads designed as circular tubular rungs are not allowed.

If it is expected that the stepladder is used with a high frequency in both directions a greater width as given in 4.1.3.2 and 4.1.3.3 is recommended to make sure that two persons can pass (e.g. minimum 940 mm). If the width of the ladder exceeds 1 200 mm at least one additional handrail is required, which is at least 600 mm away from the other handrail(s).

NOTE See Annex A for examples of easier access to the pool to address the needs of older persons and persons with disabilities.

To prevent accidents caused by entrapment due to swimming underneath, the following applies:

- if the width of stepladder is $> 1\ 100$ mm the closing of the open sides with an adequate device is mandatory;
- if the width of stepladder is $\leq 1\ 100$ mm and access to the area underneath the stepladder is possible, both sides shall be open and the stepladder shall be placed with min. 600 mm free space to each side.

The distance between the top step and the wall shall be no more than 8 mm.