



SLOVENSKI STANDARD

SIST EN 13374:2013

01-julij-2013

Nadomešča:
SIST EN 13374:2004

Začasne ograje - Specifikacija proizvoda, metode preskušanja

Temporary edge protection systems - Product specification - Test methods

Seitenschutzbauteile - Produktfestlegungen - Prüfverfahren

Garde-corps périphériques temporaires - Spécification du produit - Méthodes d'essai
iTeh STANDARD PREVIEW
(standards.iteh.ai)

Ta slovenski standard je istoveten z: ~~SIST EN 13374:2013~~ EN 13374:2013

<https://standards.iteh.ai/catalog/standards/sist/d36c7b57-e8e9-4077-9617-1286e972e1/sist-en-13374-2013>

ICS:

13.340.99	Druga varovalna oprema	Other protective equipment
91.220	Gradbena oprema	Construction equipment

SIST EN 13374:2013

en,fr,de

iTeh STANDARD PREVIEW
(standards.iteh.ai)

SIST EN 13374:2013

<https://standards.iteh.ai/catalog/standards/sist/d36c7b57-e8e9-4077-9617-1f2f6cf972e1/sist-en-13374-2013>

EUROPEAN STANDARD

EN 13374

NORME EUROPÉENNE

EUROPÄISCHE NORM

May 2013

ICS 13.340.99; 91.220

Supersedes EN 13374:2004

English Version

Temporary edge protection systems - Product specification - Test methods

Garde-corps périphériques temporaires - Spécification du
produit - Méthodes d'essaiTemporäre Seitenschutzsysteme - Produktfestlegungen -
Prüfverfahren

This European Standard was approved by CEN on 21 March 2013.

CEN members are bound to comply with the CEN/CENELEC Internal Regulations which stipulate the conditions for giving this European Standard the status of a national standard without any alteration. Up-to-date lists and bibliographical references concerning such national standards may be obtained on application to the CEN-CENELEC Management Centre or to any CEN member.

This European Standard exists in three official versions (English, French, German). A version in any other language made by translation under the responsibility of a CEN member into its own language and notified to the CEN-CENELEC Management Centre has the same status as the official versions.

CEN members are the national standards bodies of Austria, Belgium, Bulgaria, Croatia, Cyprus, Czech Republic, Denmark, Estonia, Finland, Former Yugoslav Republic of Macedonia, France, Germany, Greece, Hungary, Iceland, Ireland, Italy, Latvia, Lithuania, Luxembourg, Malta, Netherlands, Norway, Poland, Portugal, Romania, Slovakia, Slovenia, Spain, Sweden, Switzerland, Turkey and United Kingdom.

[SIST EN 13374:2013](https://standards.iteh.ai/catalog/standards/sist/d36c7b57-e8e9-4077-9617-1f2f6cf972e1/sist-en-13374-2013)

<https://standards.iteh.ai/catalog/standards/sist/d36c7b57-e8e9-4077-9617-1f2f6cf972e1/sist-en-13374-2013>



EUROPEAN COMMITTEE FOR STANDARDIZATION
COMITÉ EUROPÉEN DE NORMALISATION
EUROPÄISCHES KOMITEE FÜR NORMUNG

Management Centre: Avenue Marnix 17, B-1000 Brussels

Contents

Page

Foreword.....	4
1 Scope	6
2 Normative references	6
3 Terms and definitions	8
4 Classification of edge protection systems	10
4.1 Class A.....	10
4.2 Class B.....	11
4.3 Class C.....	11
5 Requirements.....	11
5.1 General.....	11
5.1.1 Basic requirements	11
5.1.2 Nets	11
5.1.3 Principal guardrail	11
5.1.4 Toeboard.....	11
5.2 Additional dimensional requirements for individual classes	12
5.2.1 Edge protection system class A	12
5.2.2 Edge protection system class B	12
5.2.3 Edge protection system class C	12
5.3 Material requirements	13
5.3.1 General.....	13
5.3.2 Steel	13
5.3.3 Timber.....	14
5.3.4 Material for counterweights.....	14
5.4 Static and dynamic design requirements for individual classes.....	14
5.4.1 General.....	14
5.4.2 Edge protection system class A	14
5.4.3 Edge protection system class B	14
5.4.4 Edge protection system class C	14
6 Structural design	15
6.1 General.....	15
6.1.1 Introduction	15
6.1.2 Method of design	15
6.1.3 Ultimate limit state (fundamental and accidental loads)	16
6.1.4 Serviceability limit state	16
6.2 Partial safety factors	16
6.2.1 Ultimate limit state with fundamental loads.....	16
6.2.2 Serviceability limit state.....	17
6.2.3 Ultimate limit state with accidental loads	17
6.3 Static loads.....	17
6.3.1 General.....	17
6.3.2 Serviceability limit state.....	18
6.3.3 Ultimate limit state – Point loads	19
6.3.4 Ultimate limit state - Maximum wind load	20
6.3.5 Ultimate limit state –Load combination.....	21
6.3.6 Ultimate limit state - Load parallel to the edge protection system.....	22
6.3.7 Ultimate limit state with accidental loads	22
7 Test methods.....	23
7.1 General.....	23
7.2 Load application	23
7.3 Sample to be tested	24

7.4	Tests for conformity with static load requirements for classes A and B	24
7.4.1	General	24
7.4.2	Tests for serviceability.....	24
7.4.3	Test for strength	25
7.5	Tests for conformity with dynamic load requirements for classes B and C.....	25
7.5.1	Test procedure for Class B.....	25
7.5.2	Test procedure for Class C.....	27
7.6	Test reports	29
8	Designation	29
9	Marking	29
10	Information to be given to the site.....	30
10.1	General requirements	30
10.2	Principal contents	30
11	Assessment	31
Annex A (informative) Appropriate classes for the use at different inclinations and falling heights		32
Bibliography.....		33

iTeh STANDARD PREVIEW (standards.iteh.ai)

[SIST EN 13374:2013](https://standards.iteh.ai/catalog/standards/sist/d36c7b57-e8e9-4077-9617-1f2f6cf972e1/sist-en-13374-2013)

<https://standards.iteh.ai/catalog/standards/sist/d36c7b57-e8e9-4077-9617-1f2f6cf972e1/sist-en-13374-2013>

Foreword

This document (EN 13374:2013) has been prepared by Technical Committee CEN/TC 53 “Temporary works equipment”, the secretariat of which is held by DIN.

This European Standard shall be given the status of a national standard, either by publication of an identical text or by endorsement, at the latest by November 2013, and conflicting national standards shall be withdrawn at the latest by November 2013.

Attention is drawn to the possibility that some of the elements of this document may be the subject of patent rights. CEN [and/or CENELEC] shall not be held responsible for identifying any or all such patent rights.

This document supersedes EN 13374:2004.

Temporary edge protection systems are used in construction work, primarily to prevent persons and objects from falling to a lower level from roofs, edges, stairs and other areas where protection is required.

In most European countries temporary edge protection, or other types of fall protection devices, are required when a risk assessment identifies a fall risk regardless of height. In contrast to being secured by a lanyard, greater mobility in the working area is provided when edge protection is in place. The temporary edge protection can in some situations also act as a handrail for people to hold onto when working or walking close to an edge. COUNCIL DIRECTIVE 92/57/EEC was taken into consideration when reviewing this product standard.

While this standard also includes requirements to protect people from falling objects, e.g. by the provision of toeboards, there could be circumstances where this is insufficient and additional measures, which are beyond the scope of this document, will need to be taken.

[https://standards.iteh.ai/catalog/standards/sist/d36c7b57-e8e9-4077-9617-](https://standards.iteh.ai/catalog/standards/sist/d36c7b57-e8e9-4077-9617-1518e9731d/sist/en-13374:2013)

Classes specified in this standard are intended to cater for the varied requirements appropriate for different uses.

It is important that the structure to which temporary edge protection is attached can support the load that the system is designed for.

This standard is a revised version of the 2004 version. In general, the following changes have been made:

- the normative references have been updated,
- most of the figures have been updated,
- three tables have been added to clarify design and test requirements,
- all testing related information from Clause 5 and 6 have been moved to Clause 7,
- subclause 5.3 has been simplified,
- subclause 6.1.3 has been added,
- subclause 6.3 has been clarified with table and pictures,
- Clause 7 has been rewritten in most parts,
- Annex A has been deleted, the former Annex B is now Annex A;

— editorial changes and clarifications have been done.

According to the CEN-CENELEC Internal Regulations, the national standards organisations of the following countries are bound to implement this European Standard: Austria, Belgium, Bulgaria, Croatia, Cyprus, Czech Republic, Denmark, Estonia, Finland, Former Yugoslav Republic of Macedonia, France, Germany, Greece, Hungary, Iceland, Ireland, Italy, Latvia, Lithuania, Luxembourg, Malta, Netherlands, Norway, Poland, Portugal, Romania, Slovakia, Slovenia, Spain, Sweden, Switzerland, Turkey and the United Kingdom.

iTeh STANDARD PREVIEW (standards.iteh.ai)

[SIST EN 13374:2013](#)

<https://standards.iteh.ai/catalog/standards/sist/d36c7b57-e8e9-4077-9617-1f2f6cf972e1/sist-en-13374-2013>

EN 13374:2013 (E)**1 Scope**

This European Standard specifies the requirements and test methods for temporary edge protection systems for use during construction or maintenance of buildings and other structures.

This standard applies to edge protection systems for flat and inclined surfaces and specifies the requirements for three classes of temporary edge protection.

For edge protection systems with an arrest function (e.g. falling or sliding down a sloping roof) this standard specifies requirements for energy absorption.

This standard includes edge protection systems, some of which are fixed to the structure and others, which rely on gravity and friction on flat surfaces.

This standard does not provide requirements for edge protection systems intended for:

- protection against impact from vehicles or from other mobile equipment,
- protection from sliding down of bulk loose materials, snow etc,
- protection of areas accessible to the public.

This standard does not apply to side protection on scaffolds according to EN 12811-1 and EN 1004.

NOTE This does not prevent these systems to be used on temporary structures.

2 Normative references

The following documents, in whole or in part, are normatively referenced in this document and are indispensable for its application. For dated references, only the edition cited applies. For undated references, the latest edition of the referenced document (including any amendments) applies.

EN 74-1, *Couplers, spigot pins and baseplates for use in falsework and scaffolds — Part 1: Couplers for tubes — Requirements and test procedures*

EN 74-2, *Couplers, spigot pins and baseplates for use in falsework and scaffolds — Part 2: Special couplers — Requirements and test procedures*

EN 74-3, *Couplers, spigot pins and baseplates for use in falsework and scaffolds — Part 3: Plain base plates and spigot pins — Requirements and test procedures*

EN 338, *Structural timber — Strength classes*

EN 596, *Timber structures — Test methods — Soft body impact test of timber framed walls*

EN 1263-1, *Safety nets — Part 1: Safety requirements, test methods*

EN 1990, *Eurocode — Basis of structural design*

EN 1991-1-4, *Eurocode 1: Actions on structures — Part 1-4: General actions — Wind actions*

EN 1993-1-1, *Eurocode 3: Design of steel structures — Part 1-1: General rules and rules for buildings*

EN 1993-1-2, *Eurocode 3: Design of steel structures — Part 1-2: General rules — Structural fire design*

- EN 1993-1-3, *Eurocode 3 — Design of steel structures — Part 1-3: General rules — Supplementary rules for cold-formed members and sheeting*
- EN 1993-1-4, *Eurocode 3 — Design of steel structures — Part 1-4: General rules — Supplementary rules for stainless steels*
- EN 1993-1-5, *Eurocode 3 — Design of steel structures — Part 1-5: Plated structural elements*
- EN 1993-1-6, *Eurocode 3 — Design of steel structures — Part 1-6: Strength and Stability of Shell Structures*
- EN 1993-1-7, *Eurocode 3 — Design of steel structures — Part 1-7: Plated structures subject to out of plane loading*
- EN 1993-1-8, *Eurocode 3: Design of steel structures — Part 1-8: Design of joints*
- EN 1993-1-9, *Eurocode 3: Design of steel structures — Part 1-9: Fatigue*
- EN 1993-1-10, *Eurocode 3: Design of steel structures — Part 1-10: Material toughness and through-thickness properties*
- EN 1993-1-11, *Eurocode 3: Design of steel structures — Part 1-11: Design of structures with tension components*
- EN 1993-1-12, *Eurocode 3: Design of steel structures — Part 1-12: Additional rules for the extension of EN 1993 up to steel grades S 700*
- EN 1993-2, *Eurocode 3: Design of steel structures — Part 2: Steel bridges*
- EN 1993-3-1, *Eurocode 3 - Design of steel structures — Part 3-1: Towers and masts and chimneys- Towers and masts*
- EN 1993-3-2, *Eurocode 3: Design of steel structures — Part 3-2: Towers, masts and chimneys – Chimneys*
- EN 1993-4-1, *Eurocode 3: Design of steel structures — Part 4-1 : Silos*
- EN 1993-4-2, *Eurocode 3: Design of steel structures — Part 4-2: Tanks*
- EN 1993-4-3, *Eurocode 3: Design of steel structures — Part 4-3: Pipelines*
- EN 1993-5, *Eurocode 3: Design of steel structures — Part 5: Piling*
- EN 1993-6, *Eurocode 3: Design of steel structures — Part 6: Crane supporting structures*
- EN 1995-1-1, *Eurocode 5 — Design of timber structures — Part 1-1: General - Common rules and rules for buildings*
- EN 1995-1-2, *Eurocode 5 — Design of timber structures — Part 1-2: General - Structural fire design*
- EN 1995-2, *Eurocode 5: Design of timber structures — Part 2: Bridges*
- EN 1999-1-1, *Eurocode 9 — Design of aluminium structures — Part 1-1: General structural rules*
- EN 1999-1-2, *Eurocode 9 — Design of aluminium structures — Part 1-2: Structural fire design*
- EN 1999-1-3, *Eurocode 9: Design of aluminium structures — Part 1-3: Structures susceptible to fatigue*
- EN 1999-1-4, *Eurocode 9 — Design of aluminium structures — Part 1-4: Cold formed structural sheeting*

iTeh STANDARD PREVIEW
(standards.iteh.ai)

SIST EN 13374:2013

<https://standards.iteh.ai/catalog/standards/sist/d36c7b57-e8e9-4077-9617-11216c972e1/sist-en-13374-2013>

EN 13374:2013 (E)

EN 1999-1-5, *Eurocode 9 — Design of aluminium structures — Part 1-5: Shell structures*

EN 12811-3:2002, *Temporary works equipment — Part 3: Load testing*

3 Terms and definitions

For the purposes of this document, the following terms and definitions apply.

3.1**edge protection system**

set of components intended to protect people from falling to a lower level and to retain materials

Note 1 to entry: see Figure 1.

3.2**principal guardrail**

rail or continuous element forming the top of the edge protection system

3.3**intermediate guardrail**

rail or continuous element between the principal guardrail and the working surface

3.4**intermediate protection**

protection barrier formed (e.g. as a fencing structure or a safety net) between the principal guardrail and the working surface

Note 1 to entry: see Figure 2.

3.5**toeboard**

upstanding element provided specifically to prevent materials or persons from falling or sliding off a surface

3.6**post**

principal vertical support of the edge protection system to which the guardrails and toeboards are attached

Note 1 to entry: Components 3.2 to 3.6 can be manufactured in full or part of an integrated edge protection system.

3.7**falling height, H_f**

vertical distance between the point on which a person may stand and the lowest point on the protection intended to arrest any fall

Note 1 to entry: See Figure 3.

3.8**height of the edge protection system**

distance between the uppermost point of the principal guardrail and the working surface measured perpendicular to the working surface

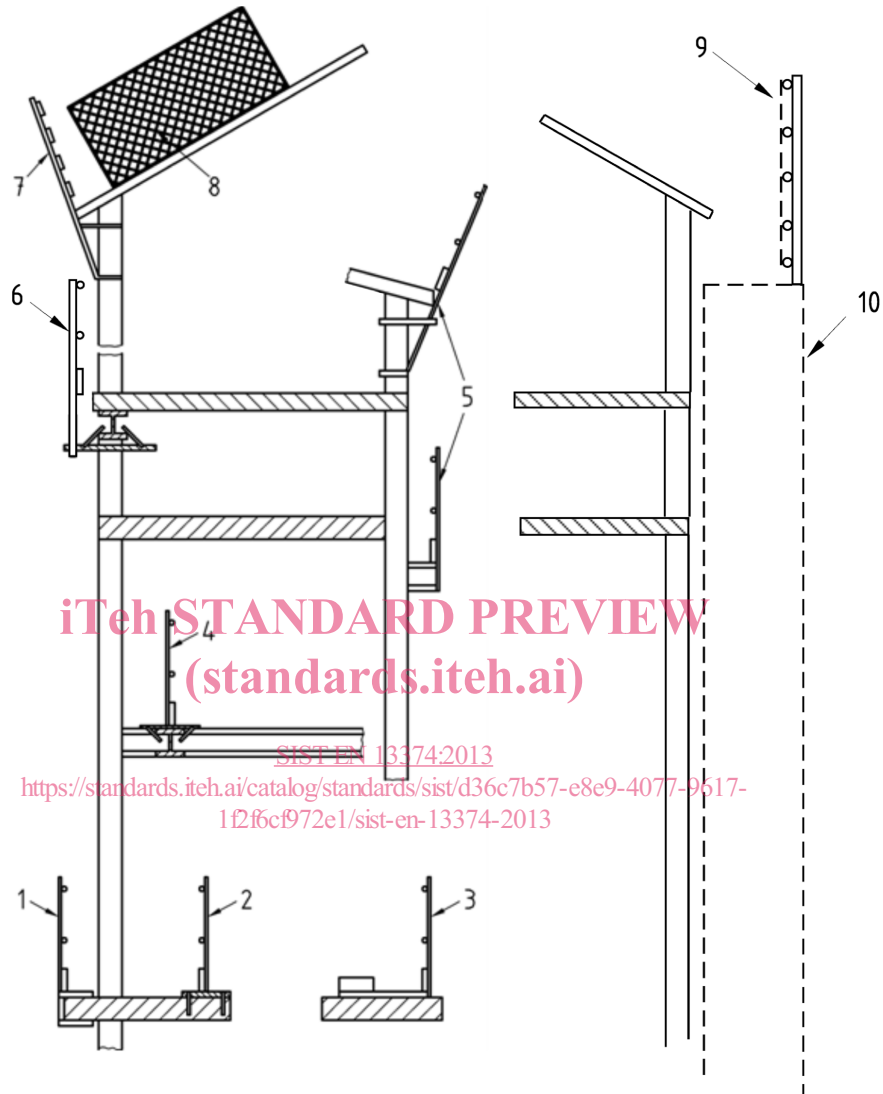
3.9**working surface**

surface on which persons stand, walk or work

3.10 counterweight

component to (by its own weight) prevent the edge protection system from sliding or from overturning

Note 1 to entry: Figure 1 illustrates some of the various types of edge protection.



Key

- | | |
|--|---|
| 1 slab edge clamp system | 6 beam bottom flange clamp system |
| 2 fixed to floor type system | 7 column clamp system – sloping roof |
| 3 counterweighted system | 8 fencing system |
| 4 beam top flange clamp system | 9 edge protection on temporary structure |
| 5 column clamp system – slabs and flat/low sloping roofs | 10 temporary structure (not defined in this standard) |

Figure 1 — Diagrammatic examples of different types of temporary edge protection

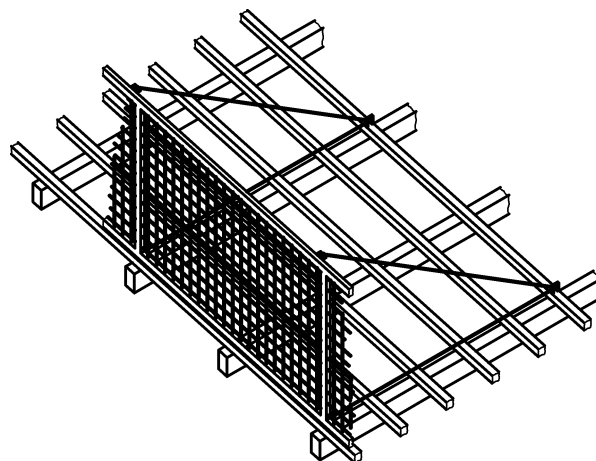
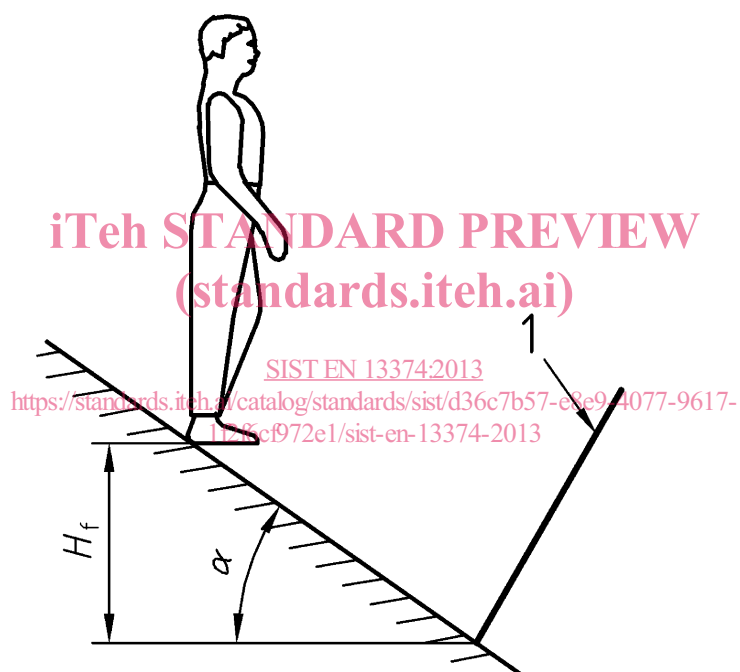


Figure 2 — Example of an edge protection system with a net as intermediate protection on a sloping roof



Key

H_f falling height

α angle of inclination of the working surface

1 edge protection system

Figure 3 — Falling height on an inclined surface

4 Classification of edge protection systems

4.1 Class A

Class A protection provides resistance to static loads only, based on the requirements to:

- support a person leaning on the protection or provide a handhold when walking beside it; and
- collectively stop a person who is walking or falling towards the protection.