

SLOVENSKI STANDARD

SIST EN 408:2004

01-januar-2004

Nadomešča:

SIST EN 1193:2000

SIST EN 408:1996

Lesene konstrukcije - Konstrukcijski les in lepljeni lamelirani les - Ugotavljanje nekaterih fizikalnih in mehanskih lastnosti

Timber structures - Structural timber and glued laminated timber - Determination of some physical and mechanical properties

iTeh STANDARD PREVIEW

Holzbauwerke - Bauholz für tragende Zwecke und Brettschichtholz - Bestimmung einiger physikalischer und mechanischer Eigenschaften

[SIST EN 408:2004](https://standards.itih.ai/catalog/standards/sist/87496e8-b513-4f7e-a2bc-7352f3fa1f15/sist-en-408-2004)

Structures en bois - Bois de structure et bois lamelle colle - Détermination de certaines propriétés physiques et mécaniques

Ta slovenski standard je istoveten z: EN 408:2003

ICS:

79.040	Les, hlodovina in žagan les	Wood, sawlogs and sawn timber
91.080.20	Lesene konstrukcije	Timber structures

SIST EN 408:2004 en

iTeh STANDARD PREVIEW
(standards.iteh.ai)

[SIST EN 408:2004](#)

<https://standards.iteh.ai/catalog/standards/sist/87496ae8-bed3-4f7e-a2bc-7352f3fa1f5/sist-en-408-2004>

iTeh STANDARD PREVIEW
(standards.iteh.ai)

SIST EN 408:2004

<https://standards.iteh.ai/catalog/standards/sist/87496ae8-bed3-4f7e-a2bc-7352f3fa1f5/sist-en-408-2004>

iTeh STANDARD PREVIEW
(standards.iteh.ai)

[SIST EN 408:2004](#)

<https://standards.iteh.ai/catalog/standards/sist/87496ae8-bed3-4f7e-a2bc-7352f3fa1f5/sist-en-408-2004>

iTeh STANDARD PREVIEW
(standards.iteh.ai)

[SIST EN 408:2004](#)

<https://standards.iteh.ai/catalog/standards/sist/87496ae8-bed3-4f7e-a2bc-7352f3fa1f5/sist-en-408-2004>

iTeh STANDARD PREVIEW
(standards.iteh.ai)

[SIST EN 408:2004](#)

<https://standards.iteh.ai/catalog/standards/sist/87496ae8-bed3-4f7e-a2bc-7352f3fa1f5/sist-en-408-2004>

iTeh STANDARD PREVIEW
(standards.iteh.ai)

SIST EN 408:2004

<https://standards.iteh.ai/catalog/standards/sist/87496ae8-bed3-4f7e-a2bc-7352f3fa1f5/sist-en-408-2004>

iTeh STANDARD PREVIEW
(standards.iteh.ai)

SIST EN 408:2004

<https://standards.iteh.ai/catalog/standards/sist/87496ae8-bed3-4f7e-a2bc-7352f3fa1f5/sist-en-408-2004>

iTeh STANDARD PREVIEW
(standards.iteh.ai)

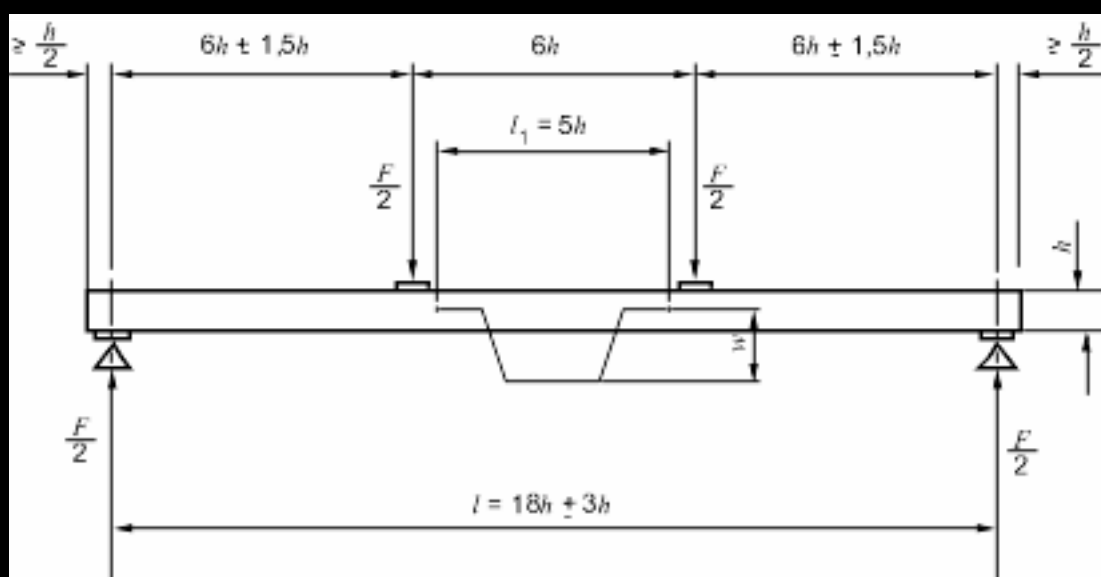
[SIST EN 408:2004](#)

<https://standards.iteh.ai/catalog/standards/sist/87496ae8-bed3-4f7e-a2bc-7352f3fa1f5/sist-en-408-2004>

iTeh STANDARD PREVIEW (standards.iteh.ai)

SIST EN 408:2004

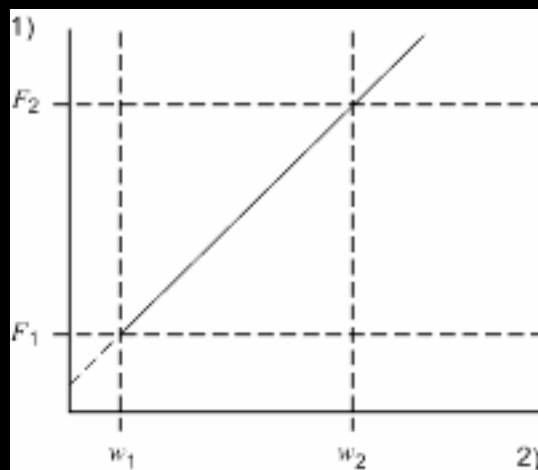
<https://standards.iteh.ai/catalog/standards/sist/87496ae8-bed3-4f7e-a2bc-7352f3fa1f5/sist-en-408-2004>



iTeh STANDARD PREVIEW
(standards.iteh.ai)

[SIST EN 408:2004](#)

<https://standards.iteh.ai/catalog/standards/sist/87496ae8-bed3-4f7e-a2bc-7352f3fa1f5/sist-en-408-2004>



iTeh STANDARD PREVIEW
(standards.iteh.ai)

SIST EN 408:2004

<https://standards.iteh.ai/catalog/standards/sist/87496ae8-bed3-4f7e-a2bc-7352f3fa1f5/sist-en-408-2004>