



**SLOVENSKI STANDARD**  
**SIST EN 1859:2009/kFprA1:2012**  
**01-november-2012**

---

**Dimniki - Kovinski dimniki - Preskusne metode**

Chimneys - Metal chimneys - Test methods

Abgasanlagen - Metall-Abgasanlagen - Prüfverfahren

Conduits de fumée - Conduits de fumée métalliques - Méthodes d'essai

**Ta slovenski standard je istoveten z: EN 1859:2009/FprA1**

---

**ICS:**

91.060.40      Dimniki, jaški, kanali      Chimneys, shafts, ducts

**SIST EN 1859:2009/kFprA1:2012**      en,fr,de

**iTeh STANDARD PREVIEW**  
**(standards.iteh.ai)**

Full standard:  
<https://standards.iteh.ai/catalog/standards/sist/db0872da-9c58-42a-8e15-5cfed90b956a/sist-en-1859-2009-kfpral-2012>

EUROPEAN STANDARD  
NORME EUROPÉENNE  
EUROPÄISCHE NORM

**FINAL DRAFT**  
**EN 1859:2009**

**FprA1**

August 2012

ICS 91.060.40

English Version

## Chimneys - Metal chimneys - Test methods

Conduits de fumée - Conduits de fumée métalliques -  
Méthodes d'essai

Abgasanlagen - Metall-Abgasanlagen - Prüfverfahren

This draft amendment is submitted to CEN members for unique acceptance procedure. It has been drawn up by the Technical Committee CEN/TC 166.

This draft amendment A1, if approved, will modify the European Standard EN 1859:2009. If this draft becomes an amendment, CEN members are bound to comply with the CEN/CENELEC Internal Regulations which stipulate the conditions for inclusion of this amendment into the relevant national standard without any alteration.

This draft amendment was established by CEN in three official versions (English, French, German). A version in any other language made by translation under the responsibility of a CEN member into its own language and notified to the CEN-CENELEC Management Centre has the same status as the official versions.

CEN members are the national standards bodies of Austria, Belgium, Bulgaria, Croatia, Cyprus, Czech Republic, Denmark, Estonia, Finland, Former Yugoslav Republic of Macedonia, France, Germany, Greece, Hungary, Iceland, Ireland, Italy, Latvia, Lithuania, Luxembourg, Malta, Netherlands, Norway, Poland, Portugal, Romania, Slovakia, Slovenia, Spain, Sweden, Switzerland, Turkey and United Kingdom.

Recipients of this draft are invited to submit, with their comments, notification of any relevant patent rights of which they are aware and to provide supporting documentation.

**Warning** : This document is not a European Standard. It is distributed for review and comments. It is subject to change without notice and shall not be referred to as a European Standard.



EUROPEAN COMMITTEE FOR STANDARDIZATION  
COMITÉ EUROPÉEN DE NORMALISATION  
EUROPÄISCHES KOMITEE FÜR NORMUNG

Management Centre: Avenue Marnix 17, B-1000 Brussels

## Contents

Page

Foreword.....	3
1 Modifications to the Foreword .....	4
2 Modification to Clause 2, Normative references .....	4
3 Modification to 4.8.4 .....	4
4 Modification to 4.8.5 .....	4
5 Modification to E.1 .....	4
6 Modification to E.2.1 .....	4
7 Modification to E.2.2 .....	4
8 Modifications to E.2.4.....	5

**iTeh STANDARD PREVIEW**  
 (standards.iteh.ai)

Full standard:  
<https://standards.iteh.ai/catalog/standards/sist/db0872da-9c58-4f2a-8e15-5cfed90b956a/sist-en-1859-2009-kfpral-2012>

## Foreword

This document (EN 1859:2009/FprA1:2012) has been prepared by Technical Committee CEN/TC 166 "Chimneys", the secretariat of which is held by ASI.

This document is currently submitted to the Unique Acceptance Procedure.

**iTeh STANDARD PREVIEW**  
(standards.iteh.ai)  
Full standard:  
<https://standards.iteh.ai/catalog/standards/sist/db0872da-9c58-4f2a-8e15-5cfed90b956a/sist-en-1859-2009-kfpral-2012>

**EN 1859:2009/FprA1:2012 (E)****1 Modifications to the Foreword**

*In the 1<sup>st</sup> paragraph, replace "UNI" with "ASI".*

*In the 4<sup>th</sup> paragraph, replace "will supersede EN 1859:2000" with "supersedes EN 1859:2009".*

*After the 4<sup>th</sup> paragraph, add the following paragraph:*

"This document has been prepared under a mandate given to CEN by the European Commission and the European Free Trade Association."

**2 Modification to Clause 2, Normative references**

*Replace the introductory paragraph with the following one:*

"The following documents, in whole or in part, are normatively referenced in this document and are indispensable for its application. For dated references, only the edition cited applies. For undated references, the latest edition of the referenced document (including any amendments) applies."

**3 Modification to 4.8.4**

*After the 1<sup>st</sup> paragraph, add the following paragraph:*

"Determine the increase in the weight of the fitting to an accuracy of  $\pm 5$  g."

**4 Modification to 4.8.5**

*After the 1<sup>st</sup> paragraph, add the following paragraph:*

"Record the increase in weight of the sections and fittings."

**5 Modification to E.1**

*After the last paragraph, add the following text:*

"For insulated penetrations without enclosure in zone B additional thermocouples shall be located as follows, see Figure E.2:

300 mm above the floor of the first floor penetration located on both walls, one row of five thermocouples spaced at a regular distance of  $50 \text{ mm} \pm 2,0 \text{ mm}$  beginning  $100 \text{ mm} \pm 2,0 \text{ mm}$  from the corner."

**6 Modification to E.2.1**

*In the 2<sup>nd</sup> paragraph, replace "see Figure E.2" with "see Figure E.3".*

**7 Modification to E.2.2**

*In the 1<sup>st</sup> paragraph, replace "see Figure E.2" with "see Figure E.3".*

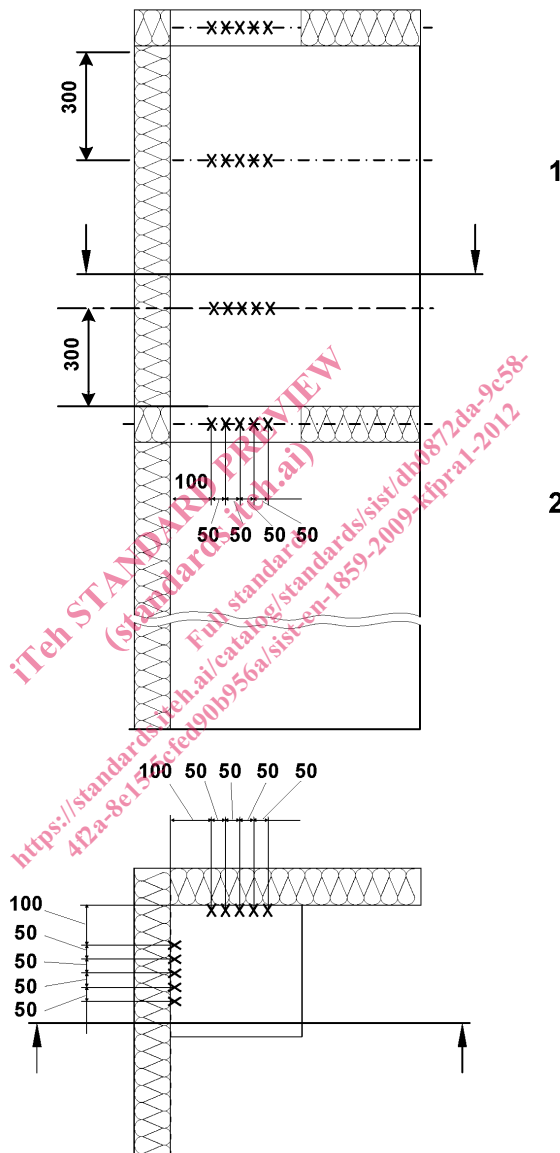
**8 Modifications to E.2.4**

On a line just above Figure 1, on the right hand-side, add the indication "Dimensions in millimetres".

Add a new Figure E.2 after Figure E.1:

"

Dimensions in millimetres



**Key**

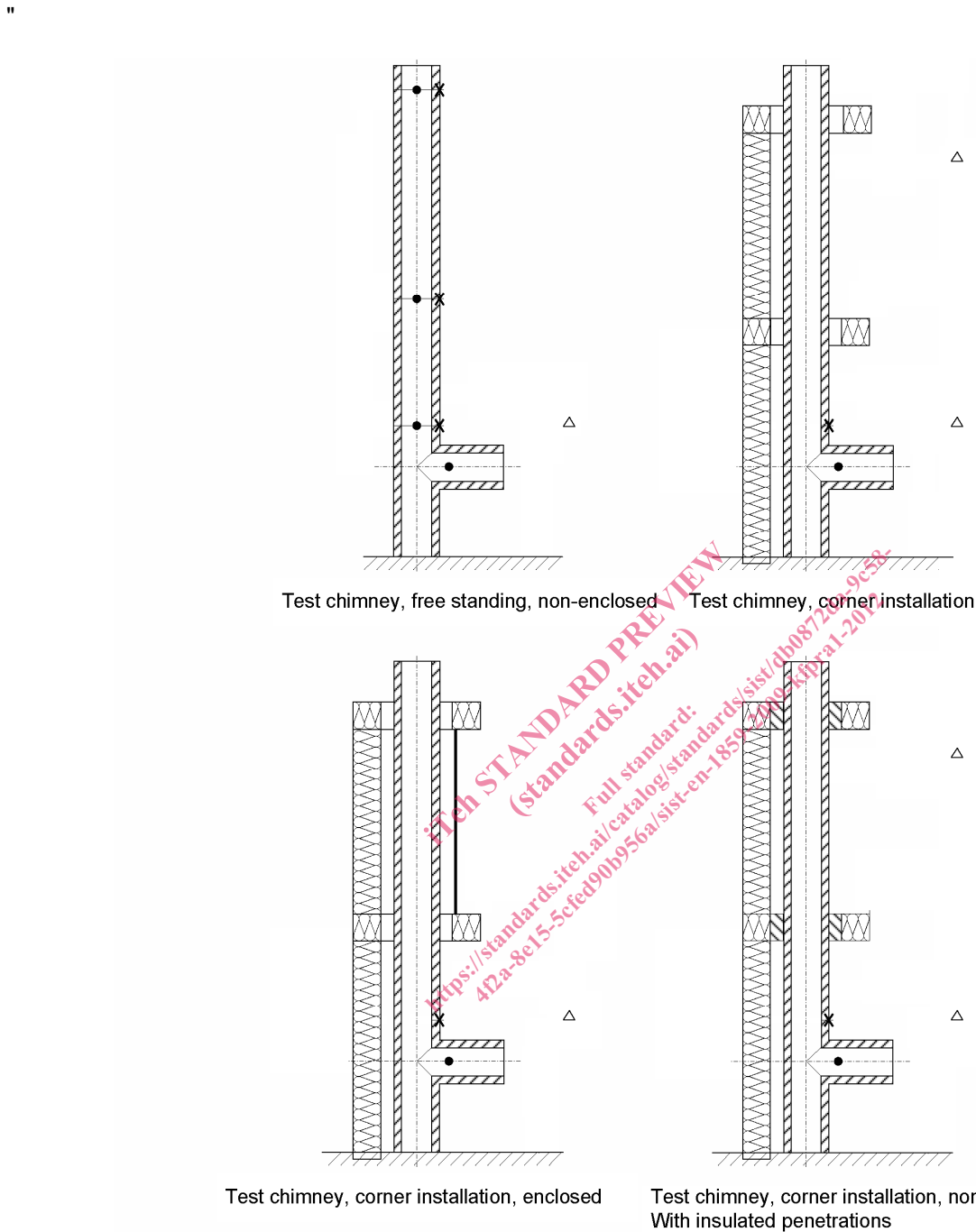
- 1 Zone A
- 2 Zone B
- X Surface

**Figure E.2 — Test structure — Location of surface temperature on the test structure for insulated penetrations without enclosure in zone B**

"

## EN 1859:2009/FprA1:2012 (E)

Replace the former Figure E.2 with the following figure (renumbered Figure E.3):

**Key**

Symbols: temperatures

- flue gas temperature
- X surface temperature, test chimney
- △ ambient air temperature

**Figure E.3 — Test chimneys — Examples of test assembly configurations**