

INTERNATIONAL STANDARD

ISO
90-3

First edition
1986-12-01
AMENDMENT 1
1994-09-15

Light gauge metal containers — Definitions and determination methods for dimensions and capacities —

Part 3:

Aerosol cans

iTeh STANDARD PREVIEW
(standards.iteh.ai)

AMENDMENT 1: Dimensions of the top end
of three-piece necked-in tinsplate cans

<https://standards.iteh.ai/catalog/standards/sist/0a9d9e8f-c780-404f-831b-01b2ee935985/iso-90-3-1986-amd-1-1994>

*Réipients métalliques légers — Définitions et méthodes de détermination
des dimensions et des capacités —*

Part 3: Boîtiers pour aérosols

*AMENDEMENT 1: Dimensions de la partie supérieure des boîtiers en
acier, trois pièces, à rétreints*



Reference number
ISO 90-3:1986/Amd.1:1994(E)

Foreword

ISO (the International Organization for Standardization) is a worldwide federation of national standards bodies (ISO member bodies). The work of preparing International Standards is normally carried out through ISO technical committees. Each member body interested in a subject for which a technical committee has been established has the right to be represented on that committee. International organizations, governmental and non-governmental, in liaison with ISO, also take part in the work. ISO collaborates closely with the International Electrotechnical Commission (IEC) on all matters of electrotechnical standardization.

Draft International Standards adopted by the technical committees are circulated to the member bodies for voting. Publication as an International Standard requires approval by at least 75 % of the member bodies casting a vote.

Amendment 1 to International Standard ISO 90-3:1986 was prepared by Technical Committee ISO/TC 52, *Light gauge metal containers*, Subcommittee SC 6, *Aerosol containers*.

© ISO 1994

All rights reserved. Unless otherwise specified, no part of this publication may be reproduced or utilized in any form or by any means, electronic or mechanical, including photocopying and microfilm, without permission in writing from the publisher.

International Organization for Standardization
Case postale 56 • CH-1211 Genève 20 • Switzerland

Printed in Switzerland

Light gauge metal containers — Definitions and determination methods for dimensions and capacities —

Part 3:

Aerosol cans

AMENDMENT 1: Dimensions of the top end of three-piece necked-in tinsplate cans

iTeh STANDARD PREVIEW
(standards.iteh.ai)

Page 8

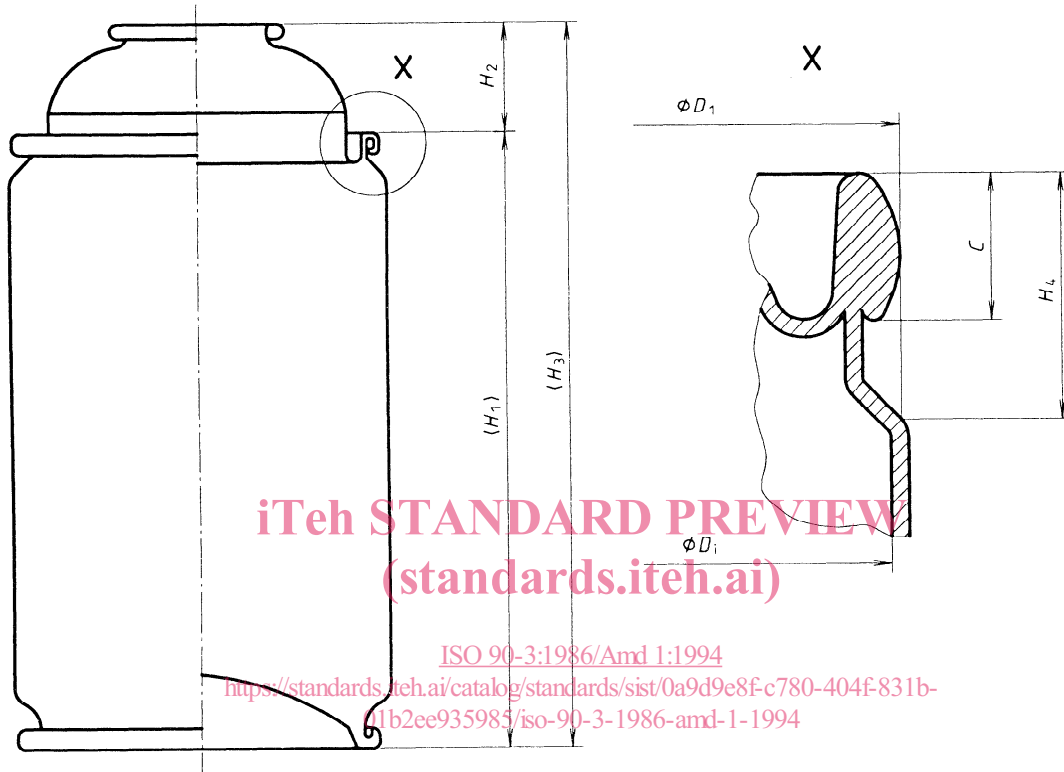
Add the following annex.

[ISO 90-3:1986/Amd 1:1994](#)

<https://standards.iteh.ai/catalog/standards/sist/0a9d9e8f-c780-404f-831b-01b2ee935985/iso-90-3-1986-amd-1-1994>

Annex B
(informative)

Dimensions of the top end of three-piece necked-in tinplate cans



Key

- C Height of the seam
- D_1 External diameter of the seam
- H_2 Height of the top end
- H_4 Height of the neck
- D_i Internal diameter of the body

iTeh STANDARD PREVIEW
This page intentionally left blank
(standards.iteh.ai)

[ISO 90-3:1986/Amd 1:1994](#)

<https://standards.iteh.ai/catalog/standards/sist/0a9d9e8f-c780-404f-831b-01b2ee935985/iso-90-3-1986-amd-1-1994>

iTeh STANDARD PREVIEW
This page intentionally left blank
(standards.iteh.ai)

[ISO 90-3:1986/Amd 1:1994](https://standards.iteh.ai/catalog/standards/sist/0a9d9e8f-c780-404f-831b-01b2ee935985/iso-90-3-1986-amd-1-1994)

<https://standards.iteh.ai/catalog/standards/sist/0a9d9e8f-c780-404f-831b-01b2ee935985/iso-90-3-1986-amd-1-1994>

iTeh STANDARD PREVIEW
This page intentionally left blank
(standards.iteh.ai)

[ISO 90-3:1986/Amd 1:1994](https://standards.iteh.ai/catalog/standards/sist/0a9d9e8f-c780-404f-831b-01b2ee935985/iso-90-3-1986-amd-1-1994)

<https://standards.iteh.ai/catalog/standards/sist/0a9d9e8f-c780-404f-831b-01b2ee935985/iso-90-3-1986-amd-1-1994>

iTeh STANDARD PREVIEW (standards.iteh.ai)

[ISO 90-3:1986/Amd 1:1994](https://standards.iteh.ai/catalog/standards/sist/0a9d9e8f-c780-404f-831b-01b2ee935985/iso-90-3-1986-amd-1-1994)

<https://standards.iteh.ai/catalog/standards/sist/0a9d9e8f-c780-404f-831b-01b2ee935985/iso-90-3-1986-amd-1-1994>

ICS 53.130.00

Descriptors: containers, metal packaging, spray cans, definition, tests, determination, dimensions, diameters, capacity, designation.

Price based on 2 pages
