



**SLOVENSKI STANDARD**  
**SIST EN 30-1-1:2009+A2:2011/AC:2012**  
**01-januar-2012**

---

**Plinski kuhalni aparati za gospodinjstvo - 1-1. del: Varnost - Splošno (vključno z dopolnili do A2) - Popravek AC**

Domestic cooking appliances burning gas - Part 1-1: Safety - General

Haushalt-Kochgeräte für gasförmige Brennstoffe - Teil 1-1: Sicherheit - Allgemeines

Appareils de cuisson domestiques utilisant les combustibles gazeux - Partie 1-1: Sécurité - Généralités

**ITeH STANDARD PREVIEW**  
**(standards.iteh.ai)**

**Ta slovenski standard je istoveten z: EN 30-1-1:2008+A2:2010/AC:2011**

SIST EN 30-1-1:2009+A2:2011/AC:2012  
<https://standards.iteh.ai/catalog/standards/sist/b70d5540-4a76-4c4a-b125-2d33a33b9c9/sist-en-30-1-1-2009a2-2011-ac-2012>

---

**ICS:**

97.040.20	Štedilniki, delovni pulti, pečice in podobni aparati	Cooking ranges, working tables, ovens and similar appliances
-----------	--	--

**SIST EN 30-1-1:2009+A2:2011/AC:2012 en**

**iTeh STANDARD PREVIEW**  
**(standards.iteh.ai)**

SIST EN 30-1-1:2009+A2:2011/AC:2012

<https://standards.iteh.ai/catalog/standards/sist/b70d3340-4a76-4c4a-bf25-2d33a33b9c9/sist-en-30-1-1-2009a2-2011-ac-2012>

EUROPEAN STANDARD  
NORME EUROPÉENNE  
EUROPÄISCHE NORM

**EN 30-1-  
1:2008+A2:2010/AC**

November 2011  
Novembre 2011  
November 2011

ICS 97.040.20

English version  
Version Française  
Deutsche Fassung

Domestic cooking appliances burning gas - Part 1-1: Safety - General

Appareils de cuisson domestiques utilisant  
les combustibles gazeux - Partie 1-1:  
Sécurité - Généralités

Haushalt-Kochgeräte für gasförmige  
Brennstoffe - Teil 1-1: Sicherheit -  
Allgemeines

This corrigendum becomes effective on 23 November 2011 for incorporation in the three official language versions of the EN.

Ce corrigendum prendra effet le 23 novembre 2011 pour incorporation dans les trois versions linguistiques officielles de la EN.

Die Berichtigung tritt am 23. November 2011 zur Einarbeitung in die drei offiziellen Sprachfassungen der EN in Kraft.

[SIST EN 30-1-1:2009+A2:2011/AC:2012](https://standards.iteh.ai/catalog/standards/sist/b70d3340-4a76-4c4a-bf25-2d33a33b9c9/sist-en-30-1-1-2009a2-2011-ac-2012)

<https://standards.iteh.ai/catalog/standards/sist/b70d3340-4a76-4c4a-bf25-2d33a33b9c9/sist-en-30-1-1-2009a2-2011-ac-2012>



EUROPEAN COMMITTEE FOR STANDARDIZATION  
COMITÉ EUROPÉEN DE NORMALISATION  
EUROPÄISCHES KOMITEE FÜR NORMUNG

Management Centre: Avenue Marnix 17, B-1000 Brussels

© 2011 CEN All rights of exploitation in any form and by any means reserved worldwide for CEN national Members.  
Tous droits d'exploitation sous quelque forme et de quelque manière que ce soit réservés dans le monde entier aux membres nationaux du CEN.  
Alle Rechte der Verwertung, gleich in welcher Form und in welchem Verfahren, sind weltweit den nationalen Mitgliedern von CEN vorbehalten.

Ref. No.: EN 30-1-1:2008+A2:2010/AC:2011 D/E/F

**EN 30-1-1:2008+A2:2010/AC:2011 (E)****1 Modification to the Foreword**

*Introduce the new paragraph* “Requirements concerning the emission of NO<sub>x</sub> are not mentioned in this European Standard, taking account of the usage of the appliances and their low output, their contribution to environment pollution is negligible.” *after the 8<sup>th</sup> paragraph.*

**2 Modification to Clause 2**

*Replace* “EN 1106:2001” *with* “EN 1106:2010”.

**3 Modifications to Clause 3****3.3.1.5**

*In the first dotted item after the 1<sup>st</sup> Note, replace* “(MJ/m<sup>3</sup>)” *with* “(MJ/m<sup>3</sup>)”.

**3.3.1.6**

*In the first dotted item after the Note, replace* “(MJ/m<sup>3</sup>)” *with* “(MJ/m<sup>3</sup>)”.

**4 Modifications to Clause 5****5.1.6.1**

*Replace* “A.6” *with* “Table A.6” *in the 1<sup>st</sup> paragraph.*

**5.2.1**

*Replace* “EN 1106:2001” *with* “EN 1106:2010” *throughout the text (4 recurrences).*

*Replace* “7.7.1.3” *with* “7.101.5” *(2 recurrences).*

**5.2.12.2.1**

*Remove the bold font from the text.*

**5.2.12.2.2**

*Remove the bold font from the text.*

**5.2.12.2.3.1**

*In the second line of the first paragraph replace* “a statement indicating that” *with* “a statement with the substance of the following wording”.

*Remove the bold font from the text.*

**5.2.12.2.3.2**

*Remove the bold font from the text.*

**5.2.12.2.4**

*Add quote marks (“) at the beginning and at the end of the sentence in the second paragraph.*

**5 Modifications to Clause 6****6.1.5.1.6 Footnote to text 4**

*Replace* “7.3.1.5.2.2” *with* “7.3.1.5.2.3”.

**6.1.5.1.7 Footnote to text 5**

Replace "7.3.1.5.2.2" with "7.3.1.5.2.3".

**6.1.9.3.3**

Replace the first and second dashed items with the following:

- for an appliance with an oven not having a special thermostat setting for cleaning, those of 7.3.1.5.2.3, test no. 5;
- for an appliance with an oven having a special thermostat setting for cleaning, the more severe of the two following conditions:".

**6.1.10**

Replace in the first paragraph "EN 126" with "EN 126:2004".

**6.1.10.2.3.1**

Remove the bold font from the text.

**6.1.10.2.3.2**

Remove the bold from the text

**6 Modifications to Clause 7****7.1.1.1**

Replace in the row 7 "C<sub>3</sub> H<sub>8</sub>" with "C<sub>3</sub>H<sub>8</sub>" in Table 7.

Replace the figures concerning 3rd family gases in the last column of the table as follows: "

SIST EN 30-1-1:2009+A2:2011/AC:2012  
<https://standards.iteh.ai/catalog/standards/sist/b70d3340-4a76-4c4a-b25-2d33a33b9c9/sist-en-30-1-1-2009a2-2011-ac-2012>

2,075
1,550
1,476
1,550
1,476

**7.1.2**

Replace "A.6.1" with "A.6" in footnote c of Table 9.

**7.1.3.3.3.1**

Replace "ISO 5732" with "ISO 5732:1978" in the first and second dashed item.

**7.1.3.3.3.2**

Replace "ISO 57321978" with "ISO 5732:1978" in the last line of fourth paragraph from the end.

**7.1.4.2**

Add in the third paragraph the following new first dashed item: "

– all other pans;".

**7.2.1.3**

The symbol "**m**" in the 5<sup>th</sup> and 7<sup>th</sup> lines shall be replaced with "m".

**7.2.2.1**

Replace "7.3.1.1.1" with "7.3.1.1".

**EN 30-1-1:2008+A2:2010/AC:2011 (E)****7.2.4**

Replace "7.1.3.2" with "7.1.3.2.1" in the 2<sup>nd</sup> paragraph.

**7.3.1.2.2.1**

Replace "7.1.3.2" with "7.1.3.2.1" in the 1<sup>st</sup> paragraph.

**7.3.1.4.2.2**

Replace "7.1.3.2" with "7.1.3.2.4" in the 2<sup>nd</sup> paragraph.

Replace the text from the third paragraph to the end with the following: "

**a. Hotplate burners**

The burner is supplied at the reduced rate obtained:

- in the position specified for plug and disc type taps;
- in the position giving the value indicated by the technical instructions for a needle type tap.

**b. Oven burners**

The oven is heated in accordance with 7.1.5.

The thermostat or tap is then moved to the position corresponding to the minimum temperature.

**c. Grill burners**

The tap is adjusted to the reduced rate position, if such exists.

When each burner is operated under the conditions described above, a combustible gas detector is used to search for un-burnt gas in the parts of the appliance where such gas could accumulate.

The requirements of 6.1.4.2.2 are satisfied if the maximum gas concentration in the air does not exceed 0,025 % by volume.

The concentration of gas in the air shall be determined to an accuracy of 0,005 % of the volume of the sample.

Care shall be taken to ensure that the sampling method used does not affect the flow of gas and air inside the burner. In particular, the sampling probe shall not be placed against the air inlet or burner body.

If the air is adjusted by closing it off inside the burner mixing tube, the test is carried out with this device adjusted to its maximum closed position."

**7.3.1.5.1.2**

The last paragraph has to be read as part of indent f).

**7.3.1.5.2.1**

Replace "7.1.3.2" with "7.1.3.2.1" in the 2<sup>nd</sup> paragraph.

**7.3.1.5.2.3**

Replace "if a grill can operate simultaneously with the oven" with "if a separate grill can operate simultaneously with the oven" in the first line of the second dashed item of **Test no. 3**

To add the following after the third dashed item of **Test no. 3**: "

If an electrical grill is situated in an oven and can be operated simultaneously with a gas burner in the same oven, the test is carried out without the grill in operation and then repeated under the following conditions:

- if the appliance has a control with a specific setting enabling the oven burner and electrical grill to operate simultaneously, these are put into operation utilising the setting enabling the grill to operate for the longest duration with its maximum setting, any separate oven thermostat being set in accordance with 7.1.5;

- if the appliance has separate controls for the oven burner and the electrical grill, the oven and grill are put into operation in accordance with 7.1.5.

If a gas or electrical grill is situated in an oven but cannot be operated simultaneously with the gas burner for the oven, the test is carried out without the grill in operation and then repeated with the grill in operation instead of the oven burner. The grill is operated in accordance with 7.1.5."

#### 7.3.1.5.2.3

Replace "5.2.1.9.5" with "5.2.9.1.5" in the last paragraph of **Test no. 4** and **Test no. 5**.

#### 7.3.2.1.1

Replace "7.1.3.2" with "7.1.3.2.1" in the 2<sup>nd</sup> paragraph.

#### 7.3.2.2

Replace "7.1.3.2" with "7.1.3.2.4" in the 2<sup>nd</sup> paragraph.

#### 7.3.2.3

Replace "7.1.3.2" with "7.1.3.2.4" in the 2<sup>nd</sup> paragraph.

#### 7.3.2.4.1

Replace "each of the burners having previously been adjusted to its nominal heat input according to the conditions specified in 7.1.3.2" with "each of the burners when operating individually and having previously been adjusted to their nominal heat input according to the conditions specified in 7.1.3.2.4" in the first paragraph.

Add "(see 7.1.3.2.1)" before the colon at the end of the first sentence of **Test no. 4**.

#### 7.3.3.1.1

Replace "7.1.3.2" with "7.1.3.2.1" in the 2<sup>nd</sup> paragraph.

#### 7.3.3.2.2

Replace "7.1.3.2" with "7.1.3.2.1" in the 3<sup>rd</sup> paragraph.

SIST EN 30-1-1:2009+A2:2011/AC:2012  
<https://standards.iteh.ai/catalog/standards/sist/b70d3340-4a76-4c4a-bf25-2d33a33b9c9/sist-en-30-1-1-2009a2-2011-ac-2012>

## 7 Modification to Clause 8

### 8.1.1

Replace "EN 60335-1" with "EN 60335-1:2002" in footnote to text 25).

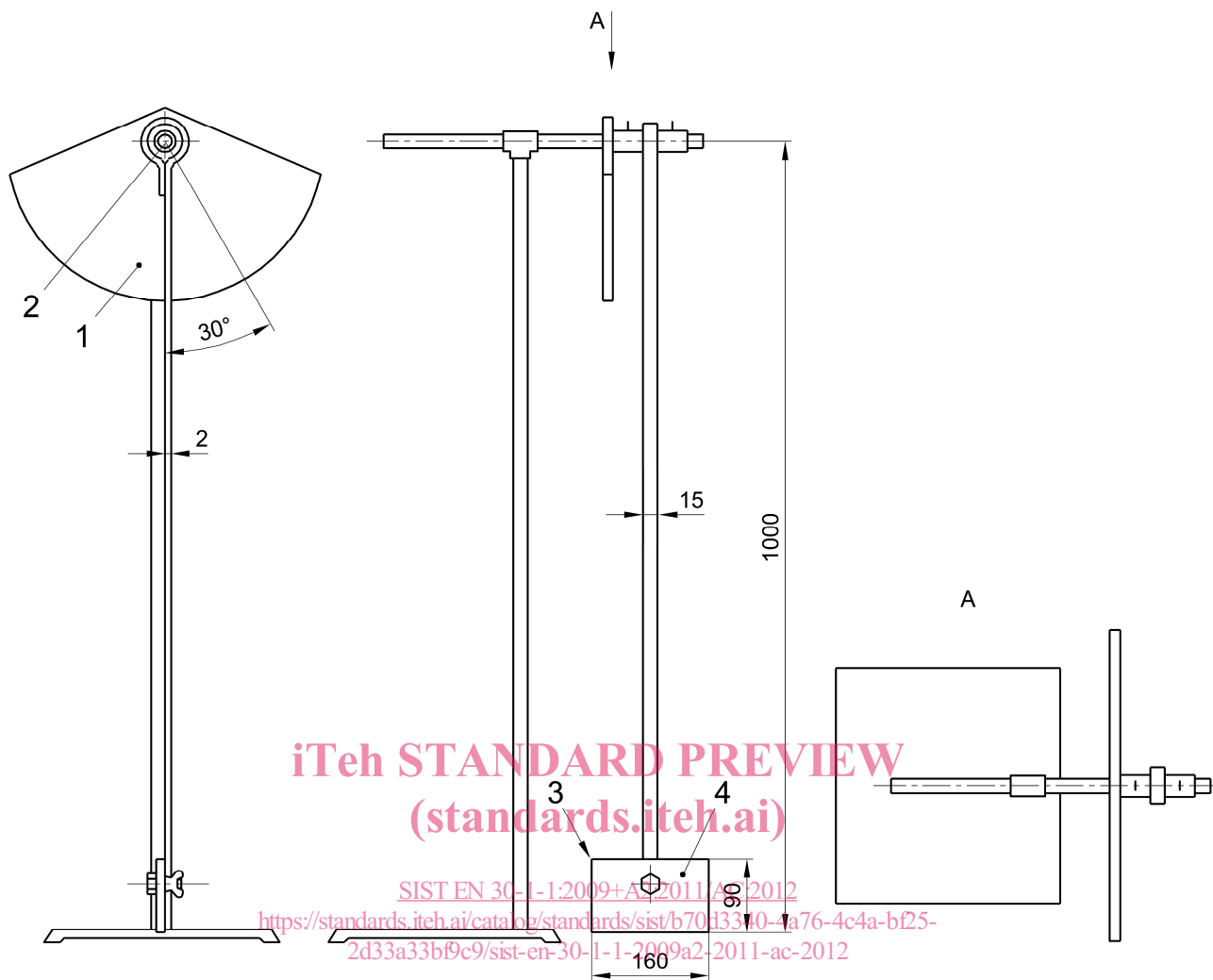
### Figure 4

Replace "h<sup>1</sup>)" with "h".

### Figure 7

Replace the figure with the following: "

EN 30-1-1:2008+A2:2010/AC:2011 (E)



**Figure 9**  
 Replace the figure with the following: "



