

72

INTERNATIONAL STANDARD



97

INTERNATIONAL ORGANIZATION FOR STANDARDIZATION • МЕЖДУНАРОДНАЯ ОРГАНИЗАЦИЯ ПО СТАНДАРТИЗАЦИИ • ORGANISATION INTERNATIONALE DE NORMALISATION

Textile machinery and accessories — Rings for spinning, doubling and twisting for ear-shaped travellers

Matériel pour l'industrie textile — Anneaux à filer et à retordre pour curseurs oreille

First edition — 1975-11-01

iTeh STANDARD PREVIEW
(standards.iteh.ai)

ISO 97:1975

<https://standards.iteh.ai/catalog/standards/sist/736b2a91-8ed0-4281-83d1-845ea6220f5c/iso-97-1975>

UDC 677.052.937.6

Ref. No. ISO 97-1975 (E)

Descriptors : textile machinery, spinning (extruding), spinning frames, ring twisters, rings, specifications, dimensions.

Price based on 2 pages

FOREWORD

ISO (the International Organization for Standardization) is a worldwide federation of national standards institutes (ISO Member Bodies). The work of developing International Standards is carried out through ISO Technical Committees. Every Member Body interested in a subject for which a Technical Committee has been set up has the right to be represented on that Committee. International organizations, governmental and non-governmental, in liaison with ISO, also take part in the work.

Draft International Standards adopted by the Technical Committees are circulated to the Member Bodies for approval before their acceptance as International Standards by the ISO Council.

International Standard ISO 97 was drawn up by Technical Committee ISO/TC 72, *Textile machinery and accessories*, and circulated to the Member Bodies in August 1974.

standards.itih.ai
(standards.itih.ai)

It has been approved by the Member Bodies of the following countries :

Belgium
France
Germany
India

Netherlands
Poland
Romania
Switzerland

Turkey
United Kingdom
U.S.S.R.
Yugoslavia

ISO 97:1975

<https://standards.itih.ai/catalog/standards/sist/736b2a91-8ed0-4281-83d1-845ca5711156/iso-97-1975>

No Member Body expressed disapproval of the document.

This International Standard cancels and replaces ISO Recommendation R 97-1959, of which it constitutes a technical revision.

Textile machinery and accessories – Rings for spinning, doubling and twisting for ear-shaped travellers

iTeh STANDARD PREVIEW (standards.iteh.ai)

1 SCOPE AND FIELD OF APPLICATION

This International Standard lays down the dimensions of rings for spinning, doubling and twisting for ear-shaped travellers "HZ", "HZCH" and "J". <https://standards.iteh.ai/catalog/standards/sist/736b2a91-8ed0-4281-83d1-845ea6220f5c/iso-97-1975>

2 REFERENCES

ISO 2266, *Textile machinery and accessories – Metal travellers for spinning and twisting.*

ISO 2802, *Textile machinery and accessories – Plastic travellers for spinning and twisting.*

3 DIMENSIONS AND TOLERANCES

The dimensions are to be as given in the table. Use of the values in brackets is to be avoided as far as possible.

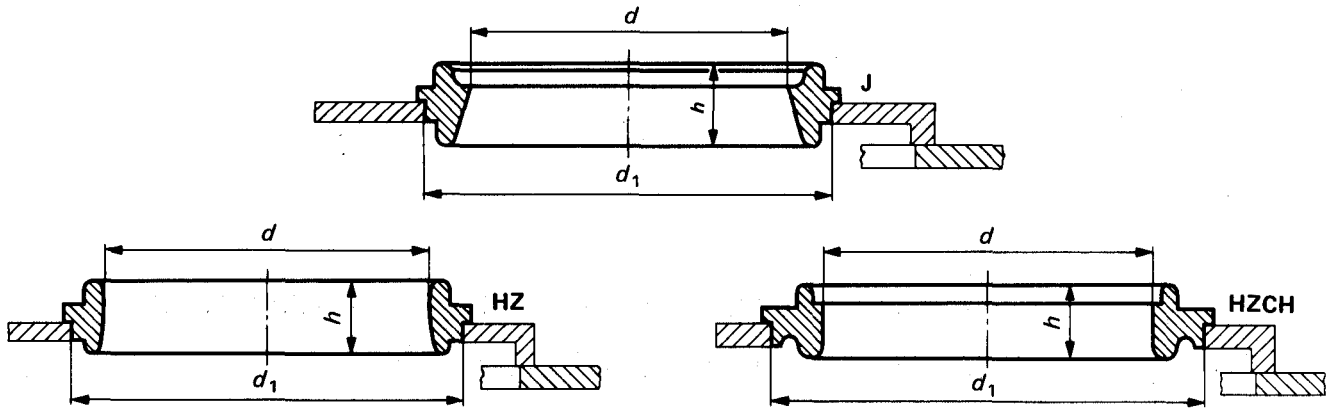


FIGURE – Rings for ear-shaped travellers

TABLE – Dimensions of rings

ITeh STANDARD PREVIEW
(standards.iteh.ai)

Values in millimetres

Inside diameter d	Fitting diameter d_1						J Height h	J Height h	Tolerance d_1
	HZCH Height h	HZ Height h	HZ Height h	HZ Height h	HZ Height h	HZ Height h			
	6,3 – 8 – 9,5	8 – 9,5 – 10,3 – 11,1	16,7	25,4	38,1	9,1 – 11,1	17,4		
50 (51) 55 (57) 60 65 70 75 (76) 80	63 (64) 68 (70) 73 78 83 88 (89) 93	59,5 (60,5) 64,5 (66,5) 69,5 74,5 79,5 84,5 (85,5) 89,5	– – – – 74,5 79,5 84,5 (85,5) 89,5	– – – – – – 86 (87) – 91	– – – – – – – – – –	57,5 (58,5) 62,5 (64,5) 67,5 72,5 77,5 82,5 (83,5) 87,5	– – – – – 76 81 86 (87) 91	0 –0,25	
90 100 110 (115) 125 (127)	103 113 123 (128) 138 (140)	101 111 121 (126) 136 (138)	101 111 121 (126) 136 (138)	101 111 121 (126) 136 (138)	– – 123 (128) 138 (140)	97,5 107,5 117,5 – – –	101 111 121 (126) 136 (138)	0 –0,32	
140 150 (155) 160	153 163 (168) 173	151 161 (166) 171	151 161 (166) 171	151 161 (166) 171	153 163 (168) 173	– – – –	151 161 (166) 171	0 –0,40	
180 200 225 250	193 213 238 263	191 – – –	191 211 236 261	191 211 236 261	193 213 238 263	– – – –	191 – – –	0 –0,55	