
**Motorcycle tyres and rims
(code-designated series) —**

**Part 3:
Rims**

*Pneumatiques et jantes pour motocycles (séries dont les dimensions
sont désignées par des codes) —*

Partie 3: Jantes

iTeh STANDARD PREVIEW
(standards.iteh.ai)

ISO 4249-3:2004

<https://standards.iteh.ai/catalog/standards/sist/2b8f96b6-4ab2-42fe-8fd3-b20fa0370b12/iso-4249-3-2004>



PDF disclaimer

This PDF file may contain embedded typefaces. In accordance with Adobe's licensing policy, this file may be printed or viewed but shall not be edited unless the typefaces which are embedded are licensed to and installed on the computer performing the editing. In downloading this file, parties accept therein the responsibility of not infringing Adobe's licensing policy. The ISO Central Secretariat accepts no liability in this area.

Adobe is a trademark of Adobe Systems Incorporated.

Details of the software products used to create this PDF file can be found in the General Info relative to the file; the PDF-creation parameters were optimized for printing. Every care has been taken to ensure that the file is suitable for use by ISO member bodies. In the unlikely event that a problem relating to it is found, please inform the Central Secretariat at the address given below.

iTeh STANDARD PREVIEW
(standards.iteh.ai)

[ISO 4249-3:2004](https://standards.iteh.ai/catalog/standards/sist/2b8f96b6-4ab2-42fe-8fd3-b20fa0370b12/iso-4249-3-2004)

<https://standards.iteh.ai/catalog/standards/sist/2b8f96b6-4ab2-42fe-8fd3-b20fa0370b12/iso-4249-3-2004>

© ISO 2004

All rights reserved. Unless otherwise specified, no part of this publication may be reproduced or utilized in any form or by any means, electronic or mechanical, including photocopying and microfilm, without permission in writing from either ISO at the address below or ISO's member body in the country of the requester.

ISO copyright office
Case postale 56 • CH-1211 Geneva 20
Tel. + 41 22 749 01 11
Fax + 41 22 749 09 47
E-mail copyright@iso.org
Web www.iso.org

Published in Switzerland

Contents

Page

Foreword	iv
1 Scope	1
2 Normative references	1
3 Finish	1
4 Designation	3
5 Cylindrical bead seat	3
6 Tapered bead seat rims (MT type)	4
7 Permitted rim widths	8
Annex A (informative) Rim circumference measurement — Tapered bead seat (MT type) rims	9
Bibliography	11

iTeh STANDARD PREVIEW
(standards.iteh.ai)

[ISO 4249-3:2004](https://standards.iteh.ai/catalog/standards/sist/2b8f96b6-4ab2-42fe-8fd3-b20fa0370b12/iso-4249-3-2004)

<https://standards.iteh.ai/catalog/standards/sist/2b8f96b6-4ab2-42fe-8fd3-b20fa0370b12/iso-4249-3-2004>

Foreword

ISO (the International Organization for Standardization) is a worldwide federation of national standards bodies (ISO member bodies). The work of preparing International Standards is normally carried out through ISO technical committees. Each member body interested in a subject for which a technical committee has been established has the right to be represented on that committee. International organizations, governmental and non-governmental, in liaison with ISO, also take part in the work. ISO collaborates closely with the International Electrotechnical Commission (IEC) on all matters of electrotechnical standardization.

International Standards are drafted in accordance with the rules given in the ISO/IEC Directives, Part 2.

The main task of technical committees is to prepare International Standards. Draft International Standards adopted by the technical committees are circulated to the member bodies for voting. Publication as an International Standard requires approval by at least 75 % of the member bodies casting a vote.

Attention is drawn to the possibility that some of the elements of this document may be the subject of patent rights. ISO shall not be held responsible for identifying any or all such patent rights.

ISO 4249-3 was prepared by Technical Committee ISO/TC 31, *Tyres, rims and valves*, Subcommittee SC 10, *Cycle, moped, motorcycle tyres and rims*.

This fifth edition cancels and replaces the fourth edition (ISO 4249-3:1997), which has been technically revised. It also incorporates the Amendment ISO 4249-3:1997 Amd. 1:2001.

ISO 4249 consists of the following parts, under the general title *Motorcycle tyres and rims (code-designated series)*:

- *Part 1: Tyres*
- *Part 2: Tyre load ratings*
- *Part 3: Rims*

<https://standards.iteh.ai/catalog/standards/sist/2b8f96b6-4ab2-42fe-8fd3-b20fa0370b12/iso-4249-3-2004>

Motorcycle tyres and rims (code-designated series) —

Part 3: Rims

1 Scope

This part of ISO 4249 specifies the rim dimensions for a selection of rims for motorcycle tyres. It sets only those rim contour dimensions necessary for tyre mounting, and for fitting the tyre to the rim.

2 Normative references

The following referenced documents are indispensable for the application of this document. For dated references, only the edition cited applies. For undated references, the latest edition of the referenced document (including any amendments) applies.

ISO 4249-1:1985, *Motorcycle tyres and rims (Code designated series) — Part 1: Tyres*

3 Finish

<https://standards.iteh.ai/catalog/standards/sist/2b8f96b6-4ab2-42fe-8fd3-b20fa0370b12/iso-4249-3-2004>
ISO 4249-3:2004

3.1 Rim contour

The rim on the side of the tyre shall be smoothly contoured and free of sharp edges.

3.2 Rim valve hole

3.2.1 The rim valve hole shall be centred on the bottom of the rim well. On the tyre side, the edges shall be rounded or chamfered. On the hub side, the edges shall be free of burrs, which could damage the valve.

Dimensions and tolerances of valve holes shall be as shown in Figure 1.

3.2.2 The rim hole shall have a diameter of $8,3^{+0,3}_0$ mm. See Figure 1 a).

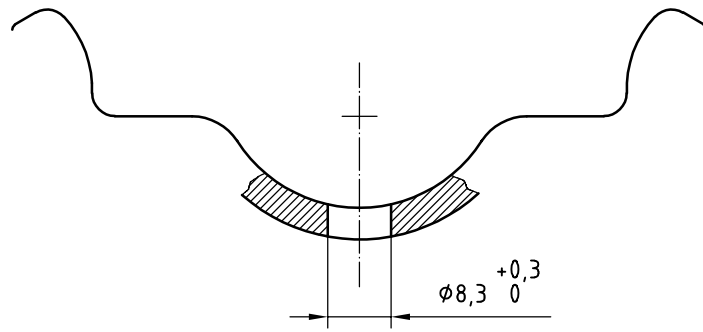
For the fitment of tubeless valves, a circumferential flat area of at least 14,5 mm is required on the tyre side of the rim. The maximum thickness of the rim at the rim hole shall be 9,4 mm. See Figure 1 b).

At the request of the motorcycle manufacturer, rim holes of $11,3^{+0,4}_0$ mm diameter may be provided; in this case, the flat area around the hole shall be at least 19 mm diameter.

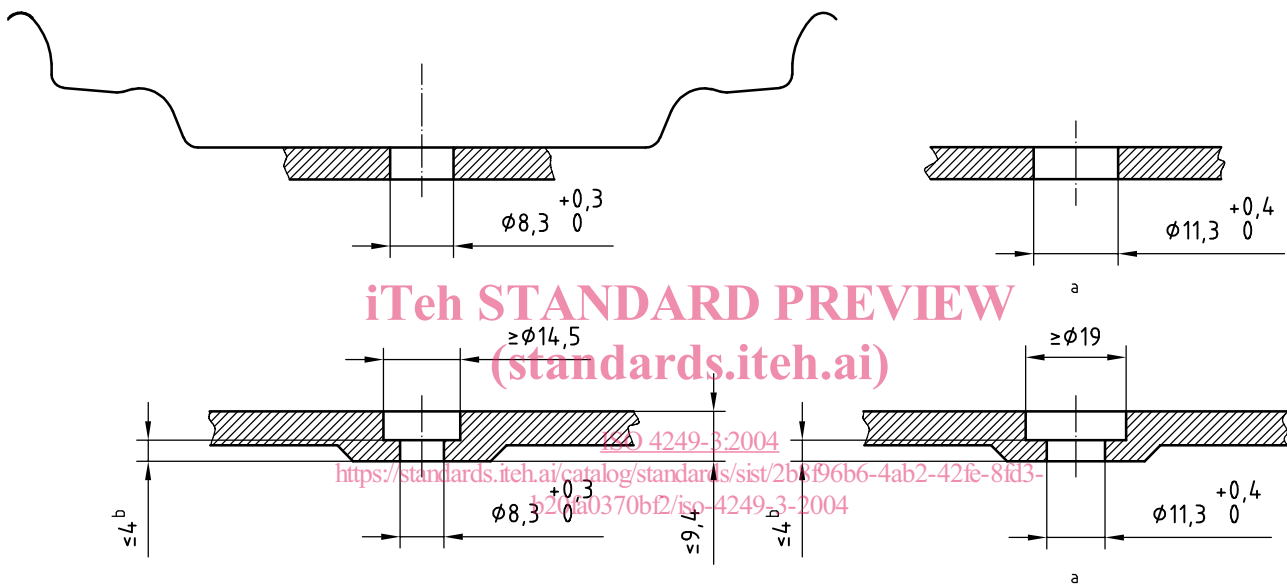
For the possibility of off-centre positioning, see Figure 1 c).

3.2.3 The rim shall be counter-bored at the valve hole to reduce the thickness to 4 mm maximum for seating snap-in valves.

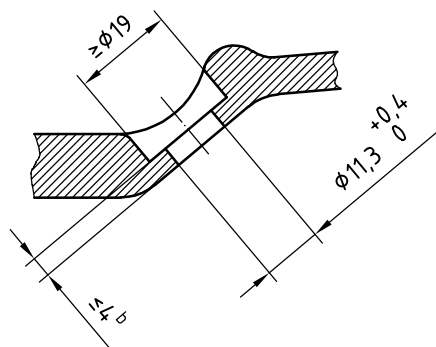
Dimensions in millimetres



a) Tube-type valve



b) Tubeless valves



c) Off-centre (optional)^c

a Optional.

b See 3.2.3.

c For rim codes MT 3.00 and larger, if the well contour offers sufficient space for the location of the flat area, the valve hole may be positioned on the sidewall of the well.

Figure 1 — Valve hole dimensions

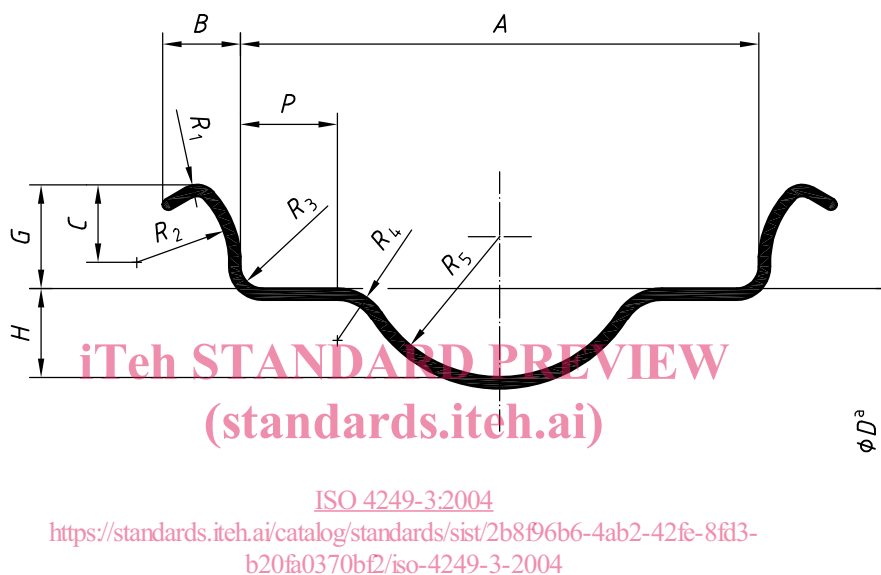
4 Designation

The rim shall be designated by its nominal rim diameter code and nominal rim width (for example, 18 × 1.85 or 17M/C × MT 3.50). See also ISO 3911.

5 Cylindrical bead seat

5.1 Rim contours

Dimensions and tolerances of the cylindrical bead seat rims shall be as shown in Figure 2 and as given in Table 1.



^a See Table 2.

Figure 2 — Cylindrical bead seat rims

Table 1 — Dimensions of cylindrical bead seat rims

Dimensions in millimetres

Nominal rim width inches	A	B	G	H	P	C	R ₂	R ₁ min.	R ₃ max.	R ₄ min.	R ₅ min.
	⁺¹ _{-0,5}	min.	± 0,5	⁺¹ _{-0,5}	min.						
1.10	28	5	7	7	3	5	5,5	1,5	1,5	5	7
1.20	30,5	5,5	9			5,5	6				
1.35	34	6,5	10	7,5	3,5	6	6,5	2	2	5,5	10
1.40	36			8							
1.50	38	7,5	10,5	9	4,5	7,5	8	2	2	6	11,5
1.60	40,5		12								4,5
1.85	47	8,5	14	9	5	10,5	12,5	2	2	6	15
2.15	55				7,5						7,5
2.50	63,5	9,5	14	12	11	10,5	12,5	3	3	7	19
2.75	70	10,5									
3.00	76		10,5	12	11	11	10,5	12,5	3	3	7

5.2 Rim diameters

Nominal rim diameter code, specified diameters and circumferences shall be as given in Table 2.

Table 2 — Specified rim diameters and circumferences for cylindrical bead seat rims

Dimensions in millimetres

Nominal rim diameter code ^a	Specified rim diameter <i>D</i>	Specified rim circumference πD +2 -0,5
14	357,1	1 121,9
15	382,5	1 201,7
16	405,6	1 274,2
17	433,3	1 361,2
18	458,7	1 441
19	484,1	1 520,8
20	509,5	1 600,6
21	534,9	1 680,4
22	558,8	1 755,5
23	584,2	1 835,3

^a The suffix M/C is optionally allowed.

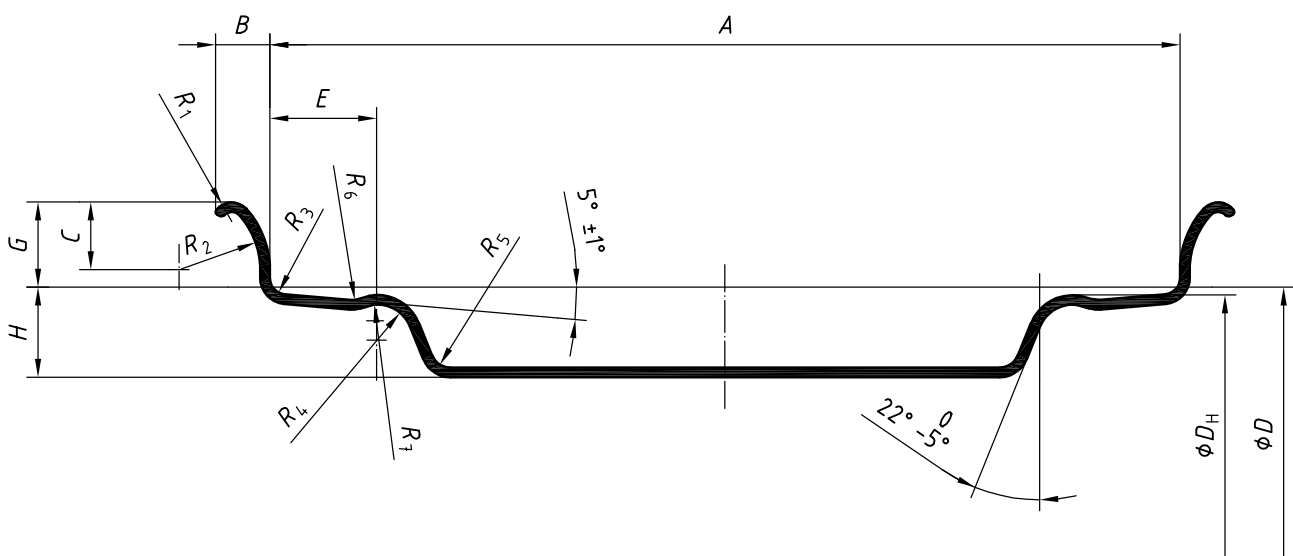
6 Tapered bead seat rims (MT type) [ISO 4249-3:2004](https://standards.itech.ai/catalog/standards/sist/2b8f96b6-4ab2-42fe-8fd3-b20fa0370b12/iso-4249-3-2004)

<https://standards.itech.ai/catalog/standards/sist/2b8f96b6-4ab2-42fe-8fd3-b20fa0370b12/iso-4249-3-2004>

6.1 Rim contours

Dimensions and tolerances of tapered bead seat rims shall be as shown in Figure 3 and as given in Table 3.

Optional well contours are shown in Figures 4 and 5, and given in Table 4.



NOTE For *D* and *D_H*, see 6.3.

Figure 3 — 5° tapered bead seat rim contours (MT type)

Table 3 — Dimensions of tapered bead seat rims

Dimensions in millimetres

Nominal rim width code	A		B min.	C	E ^a		G		H min.	R ₁ min.	R ₂	R ₃ max.	R ₄ ± 0,5	R ₅ ^b min.	R ₆ ± 0,5	R ₇ ± 0,5
		tol.				tol.		tol.								
MT 1.50	38	+1 -0,5	7,5	6,5	—	—	10	± 0,5	8	3	7	2,5	—	3	—	—
MT 1.60	40,5		9	8,5	10	+0,5 0	12				12,5		2,5		3	2,5
MT 1.85	47		10,5	12	14			9					3			
MT 2.15	55		13	+2 0									5,5			
MT 2.50	63,5	+1,5 -1						+1 -0,5	12							
MT 2.75	70		14													
MT 3.00	76		15					13								
MT 3.50	89															
MT 3.75	95		16													
MT 4.00	101,5															
MT 4.25	108															
MT 4.50	114,5															
MT 5.00	127															
MT 5.50	140															
MT 6.00	152,5															
MT 6.25	159															
MT 6.50	165															
MT 7.00	178															
MT 7.50	190,5															
MT 8.00	203															
MT 8.50	216															
MT 9.00	228,5															
MT 9.50	241,5															

^a E = hump location. See Figure 6 and Table 5 for rims without humps.

^b For MT 2.50 and larger rims, the well contour may be a rounded shape with R = full radius. See Option 2, Figure 5.