

INTERNATIONAL STANDARD

ISO
8536-1

Second edition
2000-06-15

AMENDMENT 1
2004-09-15

Infusion equipment for medical use —

Part 1: Infusion glass bottles

AMENDMENT 1

iTeh STANDARD PREVIEW
Matériel de perfusion à usage médical —
(Partie 1) Flacons en verre pour perfusion

AMENDEMENT 1

[ISO 8536-1:2000/Amd 1:2004](https://standards.iso.org/iso-8536-1-2000-amd-1-2004)

<https://standards.itih.ai/catalog/standards/sist/39de634f-9c46-4f51-92b4-39c59ede94f5/iso-8536-1-2000-amd-1-2004>



Reference number
ISO 8536-1:2000/Amd.1:2004(E)

© ISO 2004

PDF disclaimer

This PDF file may contain embedded typefaces. In accordance with Adobe's licensing policy, this file may be printed or viewed but shall not be edited unless the typefaces which are embedded are licensed to and installed on the computer performing the editing. In downloading this file, parties accept therein the responsibility of not infringing Adobe's licensing policy. The ISO Central Secretariat accepts no liability in this area.

Adobe is a trademark of Adobe Systems Incorporated.

Details of the software products used to create this PDF file can be found in the General Info relative to the file; the PDF-creation parameters were optimized for printing. Every care has been taken to ensure that the file is suitable for use by ISO member bodies. In the unlikely event that a problem relating to it is found, please inform the Central Secretariat at the address given below.

iTeh STANDARD PREVIEW
(standards.iteh.ai)

[ISO 8536-1:2000/Amd 1:2004](https://standards.iteh.ai/catalog/standards/sist/39de634f-9c46-4f51-92b4-39c59ede94f5/iso-8536-1-2000-amd-1-2004)

<https://standards.iteh.ai/catalog/standards/sist/39de634f-9c46-4f51-92b4-39c59ede94f5/iso-8536-1-2000-amd-1-2004>

© ISO 2004

All rights reserved. Unless otherwise specified, no part of this publication may be reproduced or utilized in any form or by any means, electronic or mechanical, including photocopying and microfilm, without permission in writing from either ISO at the address below or ISO's member body in the country of the requester.

ISO copyright office
Case postale 56 • CH-1211 Geneva 20
Tel. + 41 22 749 01 11
Fax + 41 22 749 09 47
E-mail copyright@iso.org
Web www.iso.org

Published in Switzerland

Foreword

ISO (the International Organization for Standardization) is a worldwide federation of national standards bodies (ISO member bodies). The work of preparing International Standards is normally carried out through ISO technical committees. Each member body interested in a subject for which a technical committee has been established has the right to be represented on that committee. International organizations, governmental and non-governmental, in liaison with ISO, also take part in the work. ISO collaborates closely with the International Electrotechnical Commission (IEC) on all matters of electrotechnical standardization.

International Standards are drafted in accordance with the rules given in the ISO/IEC Directives, Part 2.

The main task of technical committees is to prepare International Standards. Draft International Standards adopted by the technical committees are circulated to the member bodies for voting. Publication as an International Standard requires approval by at least 75 % of the member bodies casting a vote.

Attention is drawn to the possibility that some of the elements of this document may be the subject of patent rights. ISO shall not be held responsible for identifying any or all such patent rights.

Amendment 1 to ISO ISO 8536-1:2000 was prepared by Technical Committee ISO/TC 76, *Transfusion, infusion and injection equipment for medical and pharmaceutical use*, to develop a further type of infusion bottle (model C) in order to meet the market actualities.

ITEH STANDARD PREVIEW
(standards.iteh.ai)

[ISO 8536-1:2000/Amd 1:2004](https://standards.iteh.ai/catalog/standards/sist/39de634f-9c46-4f51-92b4-39c59ede94f5/iso-8536-1-2000-amd-1-2004)

<https://standards.iteh.ai/catalog/standards/sist/39de634f-9c46-4f51-92b4-39c59ede94f5/iso-8536-1-2000-amd-1-2004>

iTeh STANDARD PREVIEW
(standards.iteh.ai)

[ISO 8536-1:2000/Amd 1:2004](https://standards.iteh.ai/catalog/standards/sist/39de634f-9c46-4f51-92b4-39c59ede94f5/iso-8536-1-2000-amd-1-2004)

<https://standards.iteh.ai/catalog/standards/sist/39de634f-9c46-4f51-92b4-39c59ede94f5/iso-8536-1-2000-amd-1-2004>

Infusion equipment for medical use —

Part 1: Infusion glass bottles

AMENDMENT 1

Page 2, Clause 4

4.1 Dimensions

Replace the present text with the following:

“The dimensions of the infusion glass bottles shall meet the requirements of Figure 1 and Tables 1, 2 and 3.”

4.2 Designation

iTeh STANDARD PREVIEW

(standards.iteh.ai)

Change the existing word “EXAMPLE” to “EXAMPLE 1”

Add:

[ISO 8536-1:2000/Amd 1:2004](https://standards.iteh.ai/catalog/standards/sist/39de634f-9c46-4f51-92b4-39de634f-9c46)

<https://standards.iteh.ai/catalog/standards/sist/39de634f-9c46-4f51-92b4-39de634f-9c46>

EXAMPLE 2 An infusion bottle (model C) with a nominal capacity of 500 ml, made of colourless glass (cl) of hydrolytic resistance container class HC 2 complying with the requirements laid down in this part of ISO 8536 is designated as follows:

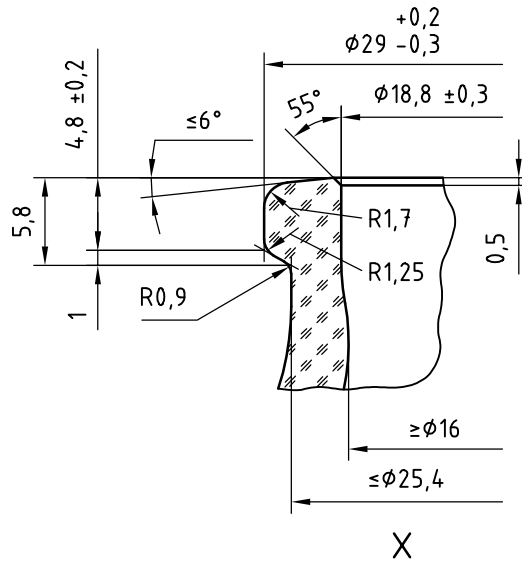
Infusion bottle ISO 8536-1 - C - 500 - cl - HC 2

Page 3, Figure 1

Change the existing figure title to read as follows:

Figure 1 — Infusion glass bottle, showing three typical neck finishes

Add the subfigure 1 c) as shown below:



c) Model C: Infusion bottle with 29 mm neck finish

Page 4

After the existing Tables 1 and 2, add new Table 3 given below.

ITC STANDARD PREVIEW
(standards.itech.ai)

Table 3 — Dimensions and capacity of infusion glass bottles with 29 mm neck finish (model C)

ISO 8536-1:2000/Amd 1:2004

Dimensions in millimetres

Nominal capacity ml	Approx. brimful capacity		α^a	d_1	tol.	d_2	h_1	tol.	h_2	h_3	r_1	r_2	r_3	r_4
	ml	tol.												
50	68	± 5	1	46	$\pm 0,8$	37	68	$\pm 0,7$	60,4	37,5	2	12	20,5	8
100	128	± 5	1,3	49	$\pm 0,8$	39	104	$\pm 0,8$	96,4	68,5	3	12	25	8
125	147	± 5	1,3	54,4	$\pm 0,8$	38,9	98,7	$\pm 0,8$	91,1	63,7	4,5	20	17	10
250	300	± 8	1,6	68	± 1	48,9	125	± 1	117,4	78	7	32	28	10
500	572	± 8	1,9	86	$\pm 1,2$	61,5	147	± 1	139,4	93,4	8	32	27	12
1000	1120	± 15	3	95	$\pm 1,5$	69,6	224,4	$\pm 1,3$	216,8	147,4	8,5	55	52	15

^a The tolerance α of the perpendicularity (defined as in ISO 1101) is a limit for the deviation of the plumb-line through the centre of the bottom part and the axis of the bottle at the upper edge of the flange.

iTeh STANDARD PREVIEW
(standards.iteh.ai)

[ISO 8536-1:2000/Amd 1:2004](https://standards.iteh.ai/catalog/standards/sist/39de634f-9c46-4f51-92b4-39c59ede94f5/iso-8536-1-2000-amd-1-2004)

<https://standards.iteh.ai/catalog/standards/sist/39de634f-9c46-4f51-92b4-39c59ede94f5/iso-8536-1-2000-amd-1-2004>

iTeh STANDARD PREVIEW
(standards.iteh.ai)

[ISO 8536-1:2000/Amd 1:2004](https://standards.iteh.ai/catalog/standards/sist/39de634f-9c46-4f51-92b4-39c59ede94f5/iso-8536-1-2000-amd-1-2004)
<https://standards.iteh.ai/catalog/standards/sist/39de634f-9c46-4f51-92b4-39c59ede94f5/iso-8536-1-2000-amd-1-2004>

ICS 11.040.20

Price based on 2 pages