



Designation: F 1959/F 1959M – 04

## Standard Test Method for Determining the Arc Rating of Materials for Clothing<sup>1</sup>

This standard is issued under the fixed designation F 1959/F 1959M; the number immediately following the designation indicates the year of original adoption or, in the case of revision, the year of last revision. A number in parentheses indicates the year of last reapproval. A superscript epsilon ( $\epsilon$ ) indicates an editorial change since the last revision or reapproval.

### 1. Scope

1.1 This test method is used to measure the arc rating of materials intended for use as flame resistant clothing for workers exposed to electric arcs that would generate heat flux rates from 84 to 25120 kW/m<sup>2</sup> [2 to 600 cal/cm<sup>2</sup>].

1.2 This test method will measure the arc rating of materials which meet the following requirements: less than 150 mm [6 in.] char length and less than 2 s afterflame when tested in accordance with Test Method D 6413.

1.2.1 It is not the intent of this test method to evaluate non flame-resistant materials except where used as under layers in multiple-layer specimens.

1.3 The materials used in this test method are in the form of flat specimens.

1.4 This test method shall be used to measure and describe the properties of materials, products, or assemblies in response to convective and radiant energy generated by an electric arc under controlled laboratory conditions.

1.5 The values stated in SI units shall be regarded as standard except as noted. Within the text, alternate units are shown in brackets. The values stated in each system may not be exact equivalents therefore alternate systems must be used independently of the other. Combining values from the systems described in the text may result in nonconformance with the method.

1.6 This test method does not apply to electrical contact or electrical shock hazards.

1.7 *This standard shall not be used to describe or appraise the fire hazard or fire risk of materials, products, or assemblies under actual fire conditions. However, results of this test may be used as elements of a fire assessment which takes into account all of the factors which are pertinent to an assessment of the fire hazard of a particular end use.*

1.8 *This standard does not purport to address all of the safety concerns, if any, associated with its use. It is the responsibility of the user of this standard to establish appropriate safety and health practices and determine the applicability of regulatory requirements prior to use. For specific precautions, see Section 7.*

<sup>1</sup> This test method is under the jurisdiction of ASTM Committee F18 on Electrical Protective Equipment for Workers and is the direct responsibility of Subcommittee F18.65 on Wearing Apparel.

Current edition approved Nov. 1, 2004. Published December 2004. Originally published in 1997. Last previous edition approved in 1999 as F 1959/F 1959M – 99.

### 2. Referenced Documents

#### 2.1 ASTM Standards:<sup>2</sup>

D 123 Terminology Relating to Textiles  
D 1776 Practice for Conditioning and Testing Textiles  
D 4391 Terminology Relating to the Burning Behavior of Textiles

D 6413 Test Method for Flame Resistance of Textile (Vertical Test)

E 457 Test Method for Measuring Heat Transfer Rate Using a Thermal Capacitance (Slug) Calorimeter

F 1494 Terminology Relating to Protective Clothing

#### 2.2 ANSI/IEEE Standard:<sup>3</sup>

Standard Dictionary of Electrical and Electronics Terms

#### 2.3 AATCC Standard:<sup>4</sup>

AATCC Method 135-2001 Dimensional Changes in Automatic Home Laundering of Woven and Knit Fabrics

### 3. Terminology

#### 3.1 Definitions:

3.1.1 *arc duration, n*—time duration of the arc, s.

3.1.2 *arc energy, vi dt, n*—sum of the instantaneous arc voltage values multiplied by the instantaneous arc current values multiplied by the incremental time values during the arc,  $J$ .

3.1.3 *arc gap, n*—distance between the arc electrodes, cm [in.].

3.1.4 *arc rating, n*—value attributed to materials that describes their performance to exposure to an electrical arc discharge.

3.1.4.1 *Discussion*—The arc rating is expressed in cal/cm<sup>2</sup> and is derived from the determined value of ATPV or E<sub>BT50</sub> (should a material system exhibit a breakopen response below the ATPV value) derived from the determined value of

<sup>2</sup> For referenced ASTM standards, visit the ASTM website, www.astm.org, or contact ASTM Customer Service at service@astm.org. For *Annual Book of ASTM Standards* volume information, refer to the standard's Document Summary page on the ASTM website.

<sup>3</sup> Available from Institute of Electrical and Electronics Engineers, Inc. (IEEE), 445 Hoes Ln., P.O. Box 1331, Piscataway, NJ 08854-1331.

<sup>4</sup> Technical Manual of the American Association of Textile Chemists and Colorists.

ATPV or  $E_{BT50}$  (should a material system exhibit a breakopen response below the ATPV value).

3.1.5 *arc thermal performance value (ATPV), n—in arc testing*, the incident energy on a fabric or material that results in a 50 % probability that sufficient heat transfer through the tested specimen is predicted to cause the onset of a second-degree skin burn injury based on the Stoll<sup>5</sup> curve.

3.1.6 *arc voltage, n*—voltage across the gap caused by the current flowing through the resistance created by the arc gap, V.

3.1.7 *asymmetrical arc current, n*—the total arc current produced during closure; it includes a direct component and a symmetrical component, A.

3.1.8 *blowout, n*—the extinguishing of the arc caused by a magnetic field.

3.1.9 *breakopen, n—in electric arc testing*, a material response evidenced by the formation of one or more holes in the material which may allow thermal energy to pass through the material.

3.1.9.1 *Discussion*—The specimen is considered to exhibit breakopen when any hole is at least 1.6 cm<sup>2</sup> [0.5 in.<sup>2</sup>] in area or at least 2.5 cm [1.0 in.] in any dimension. Single threads across the opening or hole do not reduce the size of the hole for the purposes of this test method. In multiple layer specimens of flame resistant material, all the layers must breakopen to meet the definition. In multiple layer specimens, if some of the layers are ignitable, breakopen occurs when these layers are exposed.

3.1.10 *breakopen threshold energy ( $E_{BT50}$ ), n*—the incident energy on a fabric or material that results in a 50 % probability that sufficient heat transfer through the tested specimen is predicted to cause the tested specimen to break open.

3.1.10.1 *Discussion*—This is the value in J/cm<sup>2</sup> [cal/cm<sup>2</sup>] determined by use of logistic regression analysis representing the energy at which breakopen of the layer occurred.

3.1.11 *charring, n*—the formation of carbonaceous residue as the result of pyrolysis or incomplete combustion.

3.1.12 *delta peak temperature, n*—difference between the maximum temperature and the initial temperature of the sensor during the test, °C.

3.1.13 *dripping, n—in testing flame-resistant clothing*, a material response evidenced by flowing of a specimen's material of composition.

3.1.14 *embrittlement, n*—the formation of a brittle residue as the result of pyrolysis or incomplete combustion.

3.1.15 *heat attenuation factor, HAF, n—in electric arc testing*, the percent of the incident energy that is blocked by a material at an incident energy level equal to ATPV.

3.1.16 *heatflux, n*—the thermal intensity indicated by the amount of energy transmitted divided by unit area and time kW/m<sup>2</sup> [cal/cm<sup>2</sup>s].

3.1.17  *$i^2t$ , n*—sum of the instantaneous arc current values squared multiplied by the incremental time values during the arc, A<sup>2</sup>/s.

3.1.18 *ignitability, n (ignitable, adj)—in electric arc exposure*, the property of a material involving ignition accompanied by heat and light, and continued burning resulting in consumption of at least 25 % of the exposed area of the test specimen.

3.1.19 *ignition, n*—the initiation of combustion.

3.1.20 *ignition<sub>50</sub>, n*—the incident energy on a fabric or material that results in a 50 % probability that sufficient heat transfer through the tested specimen is predicted to cause ignition of a flammable underlayer.

3.1.21 *incident energy monitoring sensors, n*—sensors mounted on each side of the panel, using the calorimeters described in 6.3, not covered by test material, used to measure incident energy.

3.1.22 *incident energy ( $E_i$ ), n*—the total heat energy received at the surface of the panel as a direct result of an electric arc.

3.1.23 *material response, n*—material response to an electric arc is indicated by the following terms: breakopen, melting, dripping, charring, embrittlement, shrinkage, and ignition.

3.1.24 *melting, n—in testing flame resistant clothing*, a material response evidenced by softening of the material.

3.1.25 *peak arc current, n*—maximum value of the AC arc current, A.

3.1.26 *RMS arc current, n*—root mean square of the AC arc current, A.

3.1.27 *shrinkage, n—in testing flame resistant clothing*, a material response evidenced by reduction in specimen size.

3.1.28 *Stoll curve<sup>5</sup>, n*—an empirical predicted second-degree skin burn injury model, also commonly referred to as the *Stoll Response*.

3.1.29 *time to delta peak temperature, n*—the time from beginning of the initiation of the arc to the time the delta peak temperature is reached, s.

3.1.30 *X/R ratio*—the ratio of system inductive reactance to resistance. It is proportional to the L/R ratio of time constant, and is, therefore, indicative of the rate of decay of any DC offset. A large X/R ratio corresponds to a large time constant and a slow rate of decay.

3.2 For definitions of other textile terms used in this test method, refer to Terminologies **D 123**, **D 4391**, and **F 1494**.

#### 4. Summary of Test Method

4.1 This test method determines the heat transport response through a material, fabric, or fabric system when exposed to the heat energy from an electric arc. This heat transport response is assessed versus the Stoll curve, an approximate human tissue tolerance predictive model that projects the onset of a second-degree burn injury.

4.1.1 During this procedure, the amount of heat energy transferred by the tested material is measured during and after exposure to an electric arc.

4.1.1.1 The thermal energy exposure and heat transport response of test specimens are measured with copper slug calorimeters. The change in temperature versus time is used,

<sup>5</sup> Derived from: Stoll, A. M. and Chianta, M. A., "Method and Rating System for Evaluations of Thermal Protection," *Aerospace Medicine*, Vol 40, 1969, pp. 1232-1238 and Stoll, A. M. and Chianta, M. A., "Heat Transfer through Fabrics as Related to Thermal Injury," *Transactions—New York Academy of Sciences*, Vol 33 (7), Nov. 1971, pp. 649-670.

along with the known thermo-physical properties of copper to determine the respective heat energies delivered to and through the specimens.

4.2 Material performance for this procedure is determined from the amount of heat transferred by and through the tested material.

4.3 Heat transfer data determined by this test method is the basis of the arc rating for the material.

4.3.1 The arc rating determined by this test method is the amount of energy that predicts a 50 % probability of second-degree burn as determined by the Stoll Curve or breakopen (should the specimen exhibit breakopen before the skin burn injury prediction is reached).

4.4 Material response shall be further described by recording the observed effects of the electric arc exposure on the specimens using the terms in 12.6.

**5. Significance and Use**

5.1 This test method is intended for the determination of the arc rating of a material, or a combination of materials.

5.1.1 Because of the variability of the arc exposure, different heat transmission values may be observed at individual sensors. Evaluate the results of each sensor in accordance with Section 12.

5.2 This test method maintains the specimen in a static, vertical position and does not involve movement except that resulting from the exposure.

5.3 This test method specifies a standard set of exposure conditions. Different exposure conditions may produce different results. In addition to the standard set of exposure conditions, other conditions representative of the expected hazard may be used and shall be documented in the reporting of the testing results.

**6. Apparatus**

6.1 *General Arrangement For Determining Arc Rating Using Three Two-Sensor Panels and Monitor Sensors*—The test apparatus shall consist of supply bus, arc controller, recorder, arc electrodes, three two-sensor panels, and monitor sensors.

6.1.1 *Arrangement of the Two-Sensor Panels*—Three two-sensor panels shall be used for each test and be spaced equally as shown in Fig. 1. Each two-sensor panel shall have two monitoring sensors. One monitoring sensor shall be positioned on each side of the two-sensor panel as shown in Fig. 2.

6.1.2 *Panel Construction*—Each two-sensor panel and each monitor sensor holder shall be constructed from non-conductive heat resistant material with a thermal conductivity value of < 0.15 W/mK, high temperature stability, and resistance to thermal shock. The board shall be nominally 1.3 cm [0.5 in.] or greater in thickness.

6.1.3 Each two-sensor panel shall be 20.3 × 54.6 cm ± 1.3 cm [8 × 21.5 in. ± 0.5 in.] as shown in Fig. 2. Each two-sensor panel and monitoring sensors shall be adjustable from 20.0 cm [8 in.] to 60.0 cm [24 in.] from the centerline of the arc electrodes as shown in Fig. 1 and Fig. 3.

6.1.4 Two sensors shall be mounted in the panel as shown in Fig. 2. Each sensor shall be mounted flush with the surface of the mounting board.

6.2 *Sensors*:

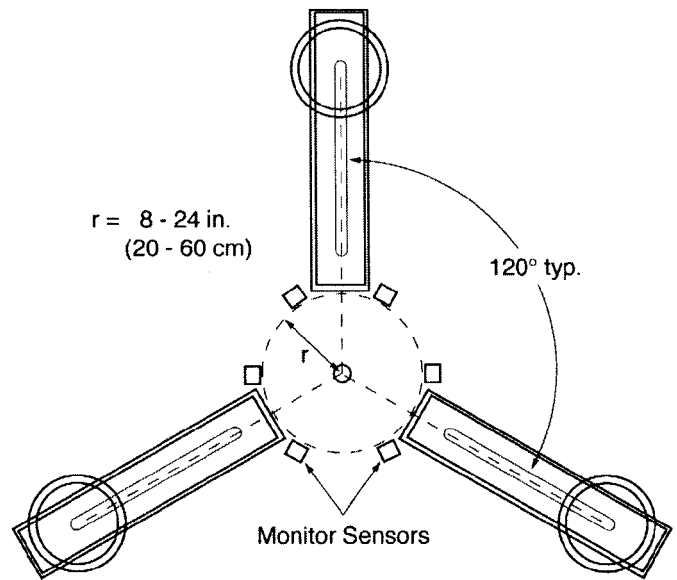


FIG. 1 Arrangement of Three Panel Sensors with Monitor Sensors

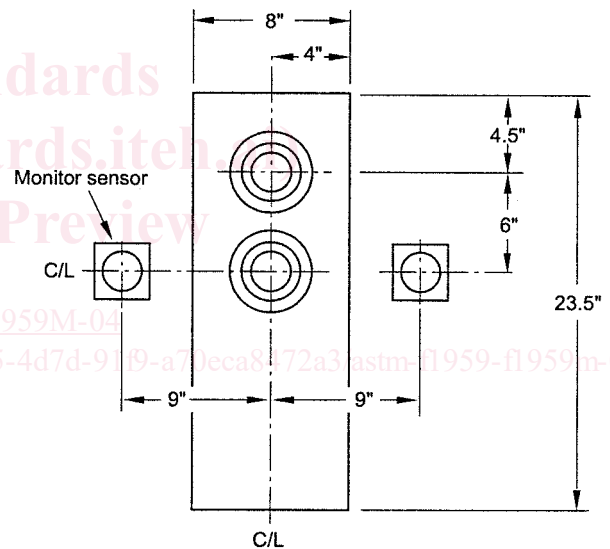
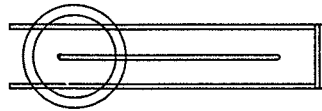


FIG. 2 Two Sensor Panel (Face View) with Monitor Sensors

6.2.1 The panel and monitor sensors shall be copper slug calorimeters constructed from electrical grade copper with a single thermocouple wire installed as identified in Fig. 5 (see Test Method E 457 for information regarding slug calorimeters).

6.2.2 The exposed surface of the copper slug calorimeters shall be painted with a thin coating of a flat black high temperature spray paint with an emissivity of >0.9. The painted sensor shall be dried before use and present a uniformly applied coating (no visual thick spots or surface irregularities). Note that an external heat source, for example, an external heat lamp, may be required to completely drive off any remaining organic carriers in a freshly painted surface.

6.2.2.1 *Discussion*—An evaluation of the emissivity of the painted calorimeters used in this test method is available from



Slide system provided by user shall include method to maintain alignment and locking device

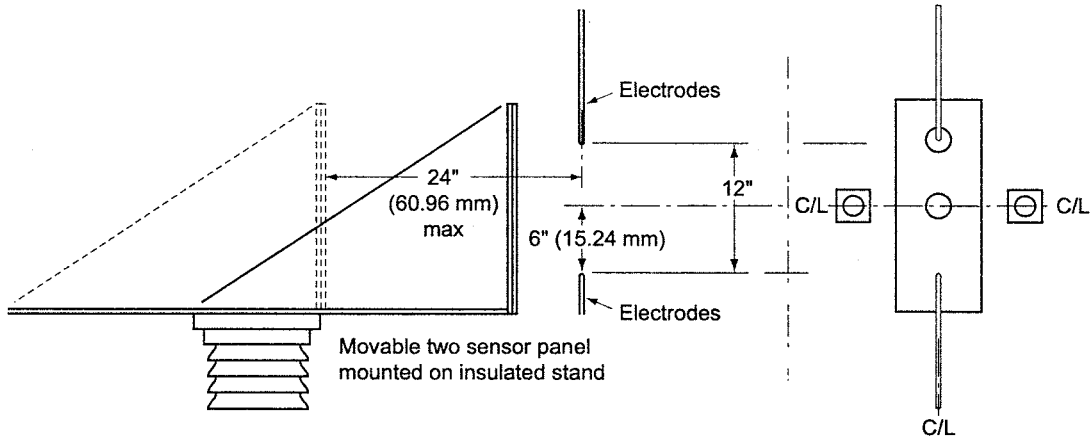


FIG. 3 Sliding Two Sensor Panel

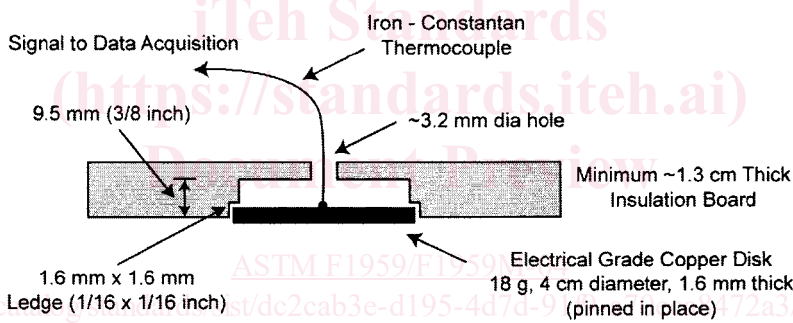


FIG. 4 Calorimeter and Thermocouple Detail

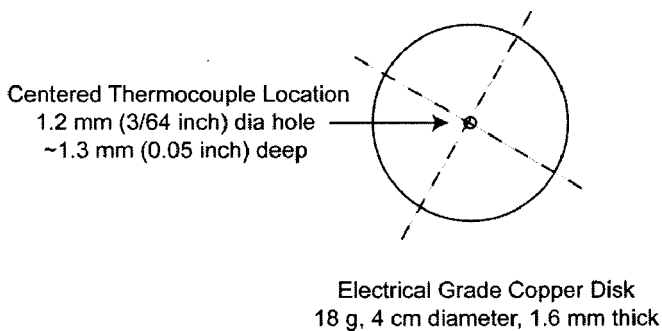


FIG. 5 Calorimeter

ASTM; “ASTM Research Program on Electric Arc Test Method Development to Evaluate Protective Clothing Fabric; ASTM F18.65.01 Testing Group Report on Arc Testing Analysis of the F 1959 Standard Test Method—Phase 1.”

6.2.3 The thermocouple wire is installed in the calorimeter as shown in Fig. 6.

6.2.4 Alternate calorimeters are permitted for use as monitor sensors provided they are calibrated and have a similar

response to those in 6.2.1. The use of a different thermocouple junction, exposed surface area, slug material, and mass are allowed and their performance shall be documented in the test results.

6.3 *Supply Bus and Electrodes*—A typical arrangement of the supply bus and arc electrodes is shown in Fig. 7. The arc shall be in a vertical position as shown.

6.3.1 *Electrodes*—Make the electrodes from stainless steel (Alloy Type 303 or Type 304) rod of a nominal 19 mm [0.75 in.] diameter. Lengths of 45.0 cm [18 in.] long initially have been found to be adequate.

6.3.2 *Fuse Wire*—A fuse wire, connecting the ends of opposing electrodes tips, is used to initiate the arc. This wire is consumed during the test; therefore, its mass shall be very small to reduce the chance of molten metal burns. The fuse wire shall be a copper wire with a diameter not greater than 0.05 mm [0.02 in.].

6.4 *Electric Supply*—The electric supply should be sufficient to allow for the discharge of an electric arc with a gap of up to 305 mm [12 in.] with alternating arc current from 4000 up to 25 000 amperes and with arc duration from 3 cycles (0.05



Hole detail and method of securing thermocouple

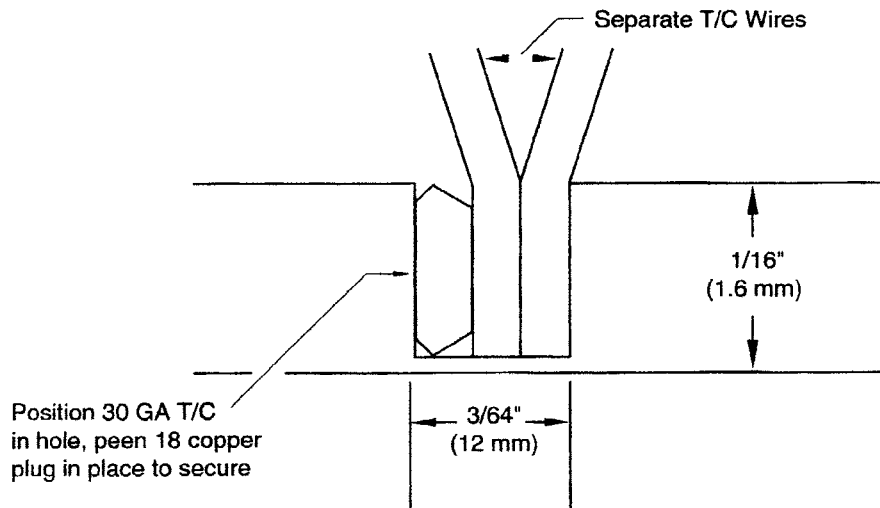


FIG. 6 Thermocouple Wire Installation

s) up to 90 cycles (1.5 s) from a 60 Hz supply. The X/R ratio of the test circuit shall be such that the test current contains a DC component resulting in the first peak of the test current having a magnitude of 2.3 times the symmetrical RMS value.

6.5 *Test Circuit Control*—Repeat exposures of the arc currents shall not deviate more than 2 % per test from the selected test level. The make switch shall be capable of point on wave closing within 0.2 cycles from test to test such that the closing angle will produce maximum asymmetrical current with an X/R ratio of the test circuit as stated in 6.4. The arc current, duration, and voltage shall be measured. The arc current, duration, voltage and energy shall be displayed in graph form and stored in digital format.

6.6 *Data Acquisition System*—The system shall be capable of recording voltage, current, and sufficient calorimeter outputs as required by the test.

6.6.1 The temperature data (copper slug calorimeter outputs) shall be acquired at a minimum sampling rate of 20 samples per second per calorimeter. The acquisition system shall be able to record temperatures to 400°C. The temperature acquisition system shall have at least a resolution of 0.1°C and an accuracy of  $\pm 0.75^\circ\text{C}$ .

6.6.2 The system current and voltage data shall be acquired at a minimum rate of 2000 samples per second. The current and voltage acquisition system shall have at least a resolution of 1 % of the applied voltage and current.

6.7 *Data Acquisition System Protection*—Due to the nature of this type of testing, the use of isolating devices on the calorimeter outputs to protect the acquisition system is recommended.

## 7. Precautions

7.1 The test apparatus discharges large amounts of energy. In addition, the electric arc produces very intense light. Care should be taken to protect personnel working in the area. Workers should be behind protective barriers or at a safe distance to prevent electrocution and contact with molten

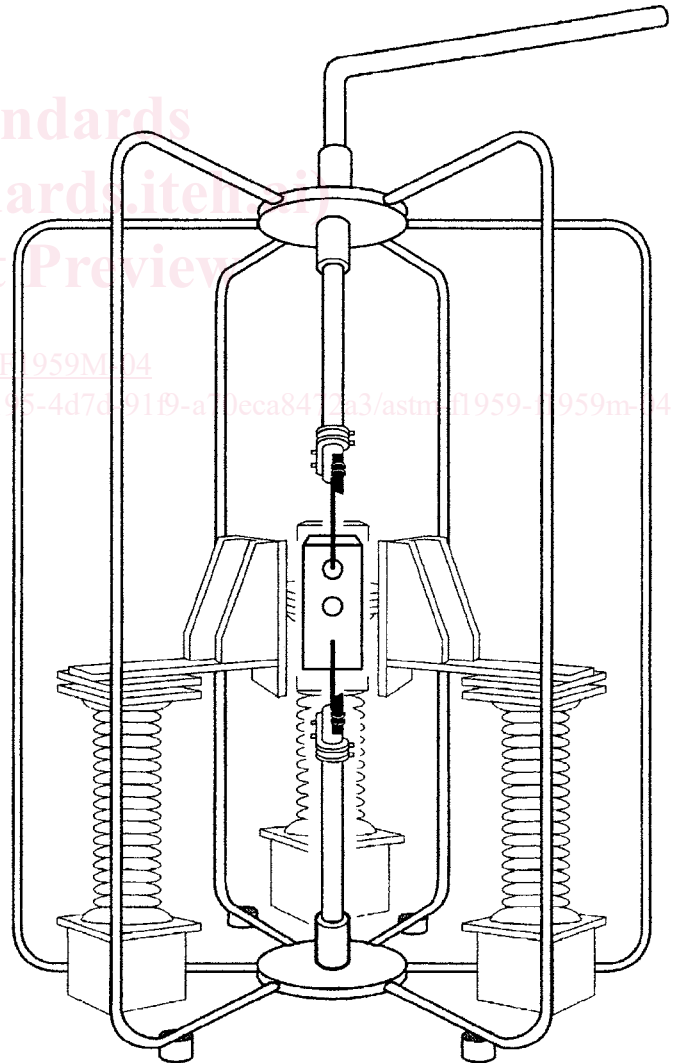


FIG. 7 Supply Bus and Arc Electrodes for Panels

metal. Workers wishing to directly view the test should use very heavily tinted glasses such as ANSI/ASC Filter Shade 12 welding glasses. If the test is conducted indoors there shall be a means to ventilate the area to carry away combustion products, smoke, and fumes. Air currents can disturb the arc reducing the heat flux at the surface of any of the calorimeters. Non-combustible materials suitable for the test area should shield the test apparatus. Outdoor tests shall be conducted in a manner appropriate to prevent exposure of the test specimen to moisture and wind (the elements). The leads to the test apparatus should be positioned to prevent blowout of the electric arc. The test apparatus should be insulated from the ground for the appropriate test voltage.

7.2 The test apparatus, electrodes, and calorimeter assemblies become hot during testing. Use protective gloves and sleeves when handling these hot objects.

7.3 Use care if the specimen ignites or releases combustible gases. An appropriate fire extinguisher should be readily available. Ensure all materials are fully extinguished.

7.4 Immediately after each test, the electric supply shall be shut off from the test apparatus and all other lab equipment used to generate the arc. The apparatus and other lab equipment shall be isolated and grounded. After data acquisition has been completed, appropriate methods shall be used to ventilate the test area before personnel entry. No one should enter the test area prior to exhausting all smoke and fumes.

## 8. Sampling and Specimen Preparation

8.1 *Test Specimens for Two-Sensor Panel Test*—From the material to be tested, make the post-laundered specimen size at least 61.0 cm [26 in.] long and at least 30.5 cm [12 in.] wide. Refer to Section 11, to determine number of samples required for the test.

8.1.1 The length direction shall be cut in the warp or wale direction of the material.

### 8.2 Laundering of Test Specimens:

8.2.1 Launder the required amount of test material for the test specimens allowing for fabric shrinkage in the laundering procedure using **AATCC Test Method 135**, Procedure 3, IV, A, iii.

8.2.1.1 Launder three times following this procedure.

NOTE 1—Drying is not required following the first two launderings.

8.2.1.2 Following the three laundry cycles, tumble dry following the prescribed procedure. Do not over dry.

8.2.1.3 Samples may be restored to a flat condition by pressing.

8.2.1.4 If an alternative laundry procedure is employed, report the procedure used (see 13.1.4).

8.2.2 For those materials that require cleaning other than laundering, follow the manufacturer's recommended practice using three cleaning cycles followed by drying and note the procedure used in the test reports (see 13.1.4).

8.3 *Conditioning*—Condition the test materials following Practice **D 1776**.

### 8.4 Determination of Test Materials Average Aerial Density:

8.4.1 Following laundering, drying, and cutting the samples to the specified size for testing, randomly select 3 (three) test panels and determine the aerial density as follows:

8.4.1.1 Die-cut a circle of 3.8 cm (1.5 in.) to 7.6 cm (3.0 in.) in diameter from the lower corner of at least three different test specimens randomly selected to cover the length and width of the test sample.

8.4.1.2 Weigh all specimens in grams on a scale to three decimal places.

8.4.1.3 Calculate the aerial density of each of the test fabric specimens in grams per square meter as follows:

$$\text{Aerial Density, g/m}^2 = \frac{\text{Mass, g}}{\pi \times \left[ \frac{\text{Circle Diameter, m}}{2} \right]^2}$$

where:

Mass, g = weight in grams of the fabric sample circle cutout,

Circle Diameter, m = diameter in meters of the die-cut circle, and

$\pi$  = 3.14159.

The aerial density may also be expressed in ounces per square yard:

$$\text{Aerial Density, oz/yd}^2 = \text{Aerial Density, g/m}^2 \times 0.02949$$

8.4.1.4 Report the average of the three random specimens aerial densities as the Average Aerial Density value.

## 9. Calibration and Standardization

9.1 *Data Collection System Precalibration*—The data collection system shall be calibrated by using a thermocouple calibrator/simulator. This will allow calibrations to be made at multiple points and at levels above 100°C. Due to the nature of the tests frequent calibration checks are recommended.

9.2 *Calorimeter Calibration Check*—Calorimeters shall be checked to verify proper operation. Measure and graph the temperature rise of each calorimeter and system response. At 30 seconds no one calorimeter response shall vary by more than 4°C from the average of all calorimeters. Any calorimeter not meeting this requirement shall be suspected of faulty connections and shall be replaced or repaired.

NOTE 2—One acceptable method is to expose each calorimeter to a fixed radiant energy source for 30 s. For example, place the front surface of a 500 W spot light<sup>6</sup> 26.7 cm [10.5 in.] from the calorimeter. The spot shall be centered on and perpendicular to the calorimeter.

9.3 *Arc Exposure Calibration*—Prior to each calibration, position the electrodes of the test apparatus to produce a 30.5 cm. [12 in.] gap. The face of the monitor sensors is set parallel and normal to the centerline of the electrodes. The midpoint of the electrode gap shall be at the same elevation as the center point of the monitor sensors (see Fig. 1). Connect the fuse wire to the end of one electrode by making several wraps and twists and then to the end of the other electrode by the same method. The fuse wire is pulled tight and the excess trimmed. The test controller is then adjusted to produce the desired arc current and duration.

<sup>6</sup> The sole source of supply of the apparatus known to the committee at this time is the Strand Electric and Engineering Co. Ltd., Part No. 83 (500W, 120V light source). If you are aware of alternative suppliers, please provide this information to ASTM International Headquarters. Your comments will receive careful consideration at a meeting of the responsible technical committee<sup>1</sup>, which you may attend.