



SLOVENSKI STANDARD
kSIST FprEN 16288-2:2013

01-september-2013

Steklena embalaža - Grla z navojem za steklenice pod tlakom - 2. del: Nevračljiva steklena grla MCA 3

Glass packaging - Screw finishes for pressure capsules - Part 2: One way glass MCA 3 finish

Verpackungen aus Glas - Schraubmundstücke für Flaschen mit Innendruck - Teil 2: Einweg-MCA 3-Mundstück

Emballage en verre - Bague à vis pour capsules à pression - Partie 2: Bague MCA 3 pour verre perdu

Ta slovenski standard je istoveten z: FprEN 16288-2

ICS:

55.100 Steklenice. Lonci. Kozarci Bottles. Pots. Jars

kSIST FprEN 16288-2:2013

en,fr,de

EUROPEAN STANDARD
NORME EUROPÉENNE
EUROPÄISCHE NORM

FINAL DRAFT
FprEN 16288-2

July 2013

ICS 55.100

English Version

Glass packaging - Screw finishes for pressure capsules - Part 2: One way glass MCA 3 finish

Emballage en verre - Bagues à vis pour capsules à
pression - Partie 2: Bague MCA 3 pour verre perdu

Verpackungen aus Glas - Schraubmündstücke für
Flaschen mit Innendruck - Teil 2: Einweg-MCA 3-(Glas-
)Mundstück

This draft European Standard is submitted to CEN members for unique acceptance procedure. It has been drawn up by the Technical Committee CEN/TC 261.

If this draft becomes a European Standard, CEN members are bound to comply with the CEN/CENELEC Internal Regulations which stipulate the conditions for giving this European Standard the status of a national standard without any alteration.

This draft European Standard was established by CEN in three official versions (English, French, German). A version in any other language made by translation under the responsibility of a CEN member into its own language and notified to the CEN-CENELEC Management Centre has the same status as the official versions.

CEN members are the national standards bodies of Austria, Belgium, Bulgaria, Croatia, Cyprus, Czech Republic, Denmark, Estonia, Finland, Former Yugoslav Republic of Macedonia, France, Germany, Greece, Hungary, Iceland, Ireland, Italy, Latvia, Lithuania, Luxembourg, Malta, Netherlands, Norway, Poland, Portugal, Romania, Slovakia, Slovenia, Spain, Sweden, Switzerland, Turkey and United Kingdom.

<https://standards.iteh.ai/catalog/standards/sist/60679e9e-4913-4064-809d-affa5f445ebe/sist->

Recipients of this draft are invited to submit, with their comments, notification of any relevant patent rights of which they are aware and to provide supporting documentation.

Warning : This document is not a European Standard. It is distributed for review and comments. It is subject to change without notice and shall not be referred to as a European Standard.



EUROPEAN COMMITTEE FOR STANDARDIZATION
COMITÉ EUROPÉEN DE NORMALISATION
EUROPÄISCHES KOMITEE FÜR NORMUNG

Management Centre: Avenue Marnix 17, B-1000 Brussels

Contents

	Page
Foreword.....	3
Introduction	4
1 Scope	5
2 Terms and definitions	5
3 Dimensions	5
Bibliography	10

iTeh STANDARD PREVIEW
(standards.iteh.ai)

SIST EN 16288-2:2014

<https://standards.iteh.ai/catalog/standards/sist/60679e9e-4913-4064-809d-affa5f445ebe/sist-en-16288-2-2014>

Foreword

This document (FprEN 16288-2:2013) has been prepared by Technical Committee CEN/TC 261 “Packaging”, the secretariat of which is held by AFNOR.

This document is currently submitted to the Unique Acceptance Procedure.

FprEN 16288, *Glass packaging — Screw finishes for pressure capsules*, consists of the following parts:

- *Part 1: Returnable glass MCA 3 finish*
- *Part 2: One way glass MCA 3 finish*

iTeh STANDARD PREVIEW
(standards.iteh.ai)

SIST EN 16288-2:2014

<https://standards.iteh.ai/catalog/standards/sist/60679e9e-4913-4064-809d-affa5f445ebe/sist-en-16288-2-2014>

FprEN 16288-2:2013 (E)

Introduction

This European Standard is based on CE.T.I.E. (International Technical Centre for Bottling and related Packaging) data sheet GME 32.01.^[1]

Efficient packaging is of great importance for the distribution and the protection of goods. Insufficient or inappropriate packaging can lead to damage or wastage of the contents of the pack.

iTeh STANDARD PREVIEW
(standards.iteh.ai)

SIST EN 16288-2:2014

<https://standards.iteh.ai/catalog/standards/sist/60679e9e-4913-4064-809d-affa5f445ebe/sist-en-16288-2-2014>

1 Scope

This European Standard specifies the dimensions of the 28 mm screw finish for glass containers designated MCA 3 for pressurized or vacuum liquids for one way glass.

2 Terms and definitions

For the purposes of this document, the following term and definition applies

2.1

MCA

(glass) finish designed for the closure of pressurized or vacuum liquids with a tamper-evident closure (metal or plastic)

3 Dimensions

The design and dimensions of the finish shall be as shown in Table 1 and Figure 1, Figure 2, Figure 3, Figure 4 and Figure 5.

Table 1 — Design and dimensions of the finish

Pitch	β	TPI	\varnothing cutter
3,175 mm	2° 12'	8	12,5 mm
β = Helix angle or angle of fixture to cutter.			
NOTE TPI = Threads per Inch. One inch is equal to 25,4 mm.			

The Tan β of helix angle for cutter is calculated via the following formula:

$$\tan \beta = \frac{\text{pitch}}{\pi(\text{nominal } T + \text{nominal } E)}$$

where

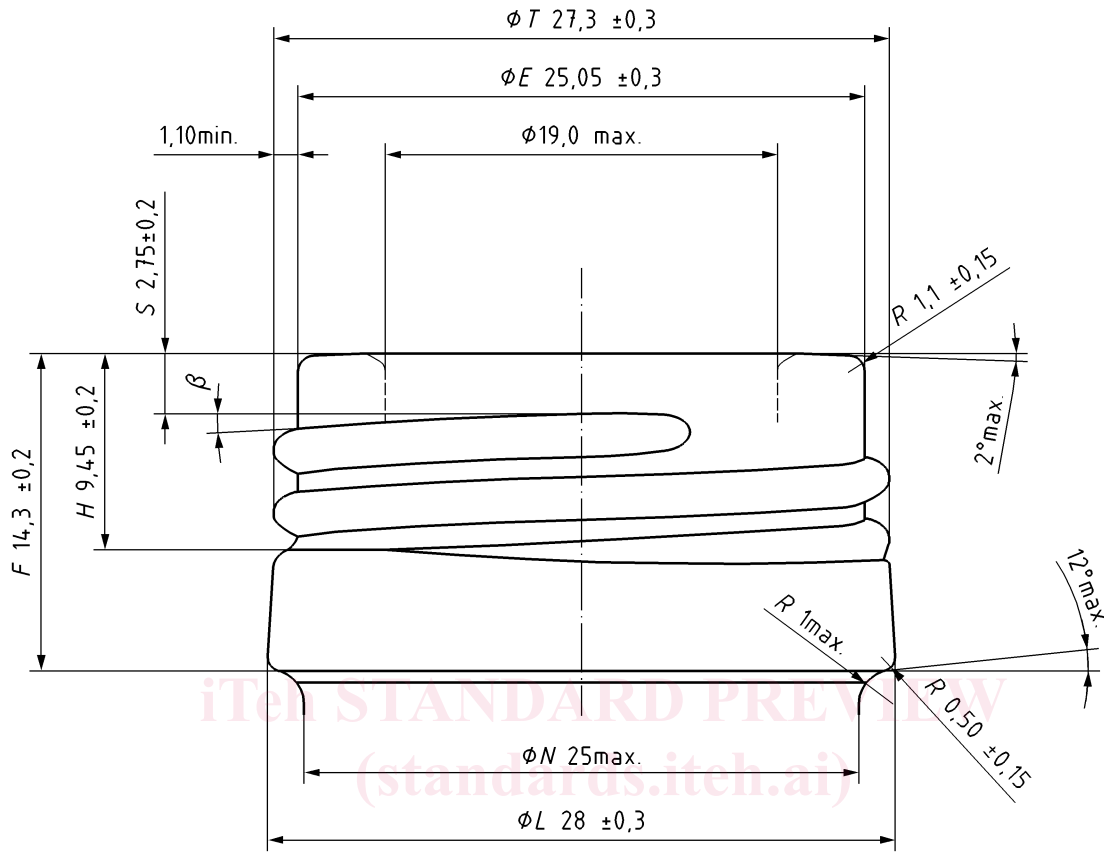
- T is the thread diameter;
 E is the wall diameter of threaded finish.

The average of the maximum and minimum of « L » diameter is as close as possible to « L » nominal.

The mean diameter $L \frac{\text{diameter max} + \text{diameter min}}{2}$ is in the tolerance of $\pm 0,2$ mm

Optional: depressed thread at mould parting line (see EN 16292).

Dimensions in millimetres



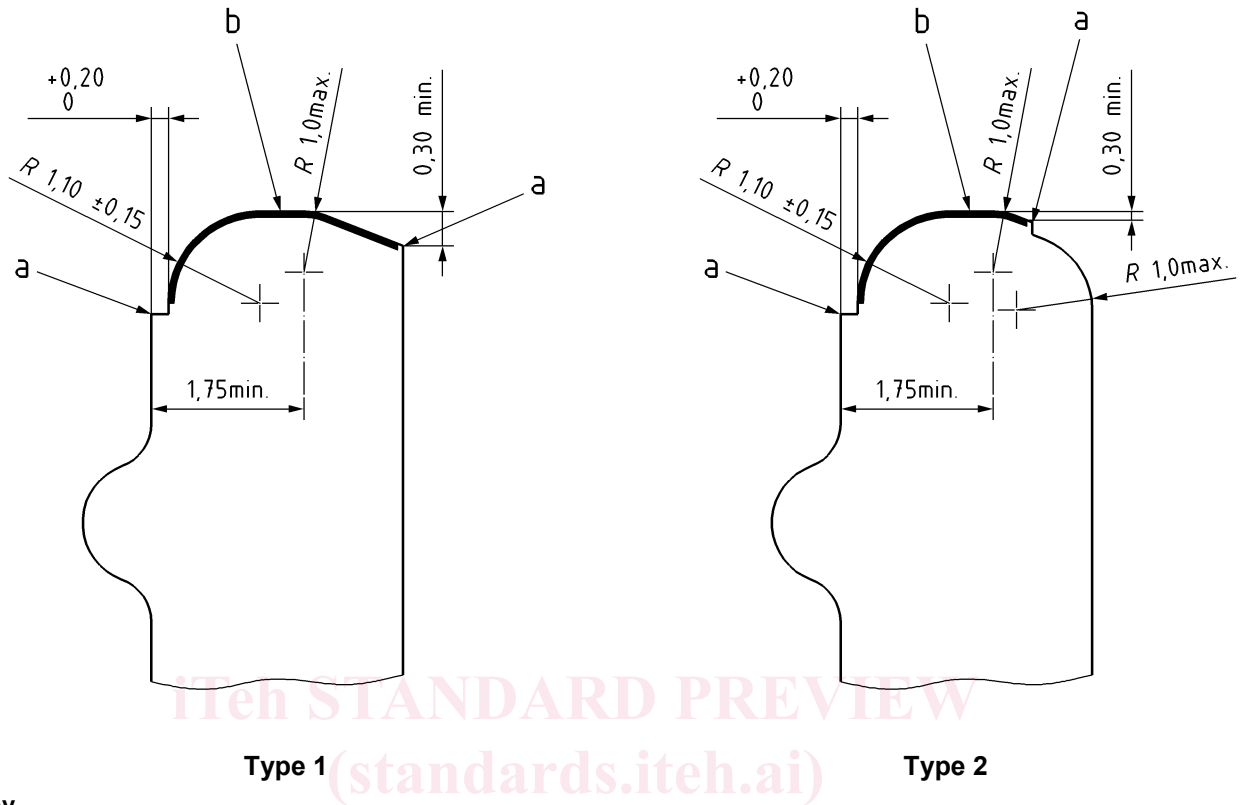
Key

- N* neck (under bead) diameter
- H* thread height
- S* start of thread position from sealing surface to intersection of thread flank
- F* height of the finish
- L* locking bead diameter
- T* thread diameter
- E* wall diameter of threaded finish

NOTE Bore diameter 19 mm max. for a depth of 3 mm

Figure 1 — MCA 3 finish

Dimensions in millimetres



Key

a Mould parting line

b Sealing surface

NOTE The sealing surface is smooth and free of any defects and flash.

Figure 2 — Possible alternative constructions of the bore entrance to suit glass manufacturer

Dimensions in millimetres
Minimum through bore $\varnothing 16,0$

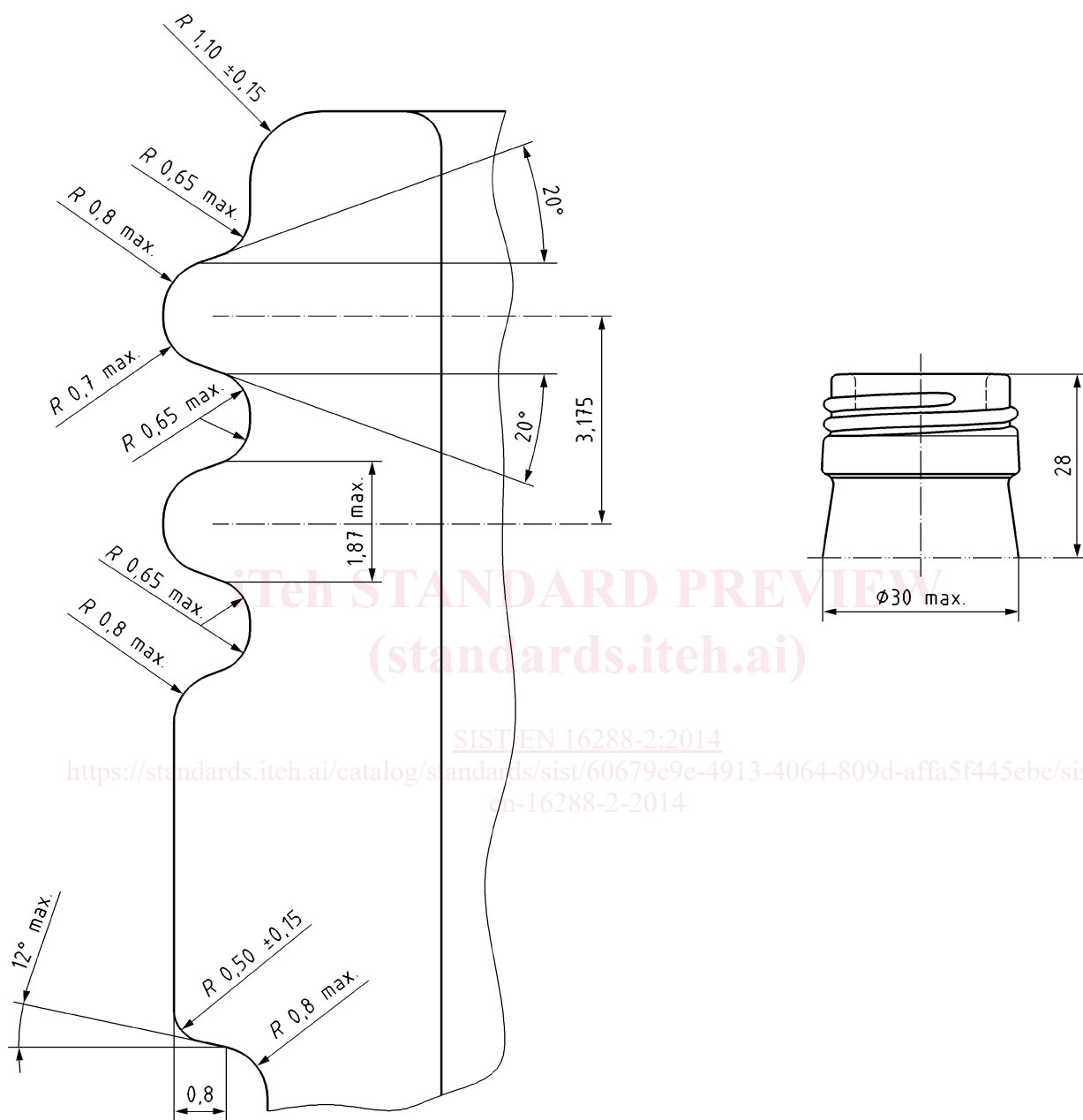


Figure 3 — Detail of the profile