



SLOVENSKI STANDARD

SIST HD 134.5 S1:2004

01-januar-2004

[Not translated]

Radio-frequency connectors - Part 5: R.F. coaxial connectors for cables 96 IEC 60050-17 and larger (IEC 60169-5:1970)

Hochfrequenz-Steckverbindungen - Teil 5: Koaxiale HF-Steckverbinder für Kabel vom Typ 96 IEC 60050-17 und größer (IEC 60169-5:1970)

iTeh STANDARD PREVIEW

Connecteurs pour fréquences radioélectriques - Partie 5: Connecteurs coaxiaux pour fréquences radioélectriques pour câbles 96 IEC 60050-17 et plus gros (CEI 60169-5:1970)

[SIST HD 134.5 S1:2004](https://standards.iteh.ai/catalog/standards/sist/a17c2392-38da-49b5-86ab-b85591a9c51b/sist-hd-134-5-s1-2004)

[https://standards.iteh.ai/catalog/standards/sist/a17c2392-38da-49b5-86ab-](https://standards.iteh.ai/catalog/standards/sist/a17c2392-38da-49b5-86ab-b85591a9c51b/sist-hd-134-5-s1-2004)

[b85591a9c51b/sist-hd-134-5-s1-2004](https://standards.iteh.ai/catalog/standards/sist/a17c2392-38da-49b5-86ab-b85591a9c51b/sist-hd-134-5-s1-2004)

Ta slovenski standard je istoveten z: HD 134.5 S1:1977

ICS:

33.120.30 Radiofrekvenčni konektorji R.F. connectors
(RF)

SIST HD 134.5 S1:2004

en

iTeh STANDARD PREVIEW
(standards.iteh.ai)

SIST HD 134.5 S1:2004

<https://standards.iteh.ai/catalog/standards/sist/a17c2392-38da-49b5-86ab-b85591a9c51b/sist-hd-134-5-s1-2004>

CENELECINFORMATION
SHEET

HD 134.5

Rue Bréderode, 2 - Bte 5 - 1000 Bruxelles

Tel 02-519 68 71 - Telex 26257

Telefax (+32 2) 519 68 19 - Teletex 206 2210097

Issue 2

1987-05-22

Radio-frequency connectors
Part 5 : R.F. coaxial connectors for cables 96 IEC
50-17 and larger

Connecteurs pour fréquences
radioélectriques
Cinquième partie: Connecteurs
coaxiaux pour fréquences
radioélectriques pour câbles 96
IEC 50-17 et plus gros

Hochfrequenz-Steckverbindungen
Teil 5: Koaxiale HF-Steckverbinder
für Kabel vom Typ 96 IEC 50-17 und
größer

RD: IEC 169-5 (1970) ed 1 ; IEC/SC 46A (not appended)

The Harmonization Document consists of the following :

- Title Page

Related to Directive: -

[SIST HD 134.5 S1:2004](https://standards.iteh.ai/catalog/standards/sist/a17c2392-38da-49b5-86ab-b85591776-06-19-134-5-s1-2004)

[https://standards.iteh.ai/catalog/standards/sist/a17c2392-38da-49b5-86ab-](https://standards.iteh.ai/catalog/standards/sist/a17c2392-38da-49b5-86ab-b85591776-06-19-134-5-s1-2004)

date of ratification : ~~1976-06-29~~ [1976-06-29](https://standards.iteh.ai/catalog/standards/sist/a17c2392-38da-49b5-86ab-b85591776-06-19-134-5-s1-2004)
date of announcement :
date of latest publication : 1977-01-01
date of withdrawal :

LIST OF NATIONAL STANDARDS IS GIVEN OVERLEAF

AT : NOS

BE : NOS

CH : SEV/ASE 3087-5.1976

DE : NOS

DK : NOS

ES : NOS

FI : NOS

FR : NOS

GB : NOS

GR : NOS

IE : NOS

IT : NOS

LU : NOS

NL : NOS

NO : NOS

PT : NOS

SE : NOS

iTeh STANDARD PREVIEW
(standards.iteh.ai)

SIST HD 134.5 S1:2004

<https://standards.iteh.ai/catalog/standards/sist/a17c2392-38da-49b5-86ab-b85591a9c51b/sist-hd-134-5-s1-2004>

**NORME
INTERNATIONALE
INTERNATIONAL
STANDARD**

**CEI
IEC**

60169-5

Première édition
First edition
1970-01

Connecteurs pour fréquences radioélectriques

Cinquième partie:

**Connecteurs coaxiaux pour fréquences
radioélectriques pour câbles 96 IEC 50-17 et
plus gros**

STANDARD PREVIEW
(standards.iteh.ai)

Radio-frequency connectors

<https://standards.iteh.ai/catalog/standards/sist/a17c2392-38da-49b5-86ab-6c5591a9c51b/sist-hd-134-5-s1-2004>

Part 5:

**R.F. coaxial connectors for cables 96 IEC 50-17
and larger**

© IEC 1970 Droits de reproduction réservés — Copyright - all rights reserved

Aucune partie de cette publication ne peut être reproduite ni utilisée sous quelque forme que ce soit et par aucun procédé, électronique ou mécanique, y compris la photocopie et les microfilms, sans l'accord écrit de l'éditeur.

No part of this publication may be reproduced or utilized in any form or by any means, electronic or mechanical, including photocopying and microfilm, without permission in writing from the publisher.

International Electrotechnical Commission
Telefax: +41 22 919 0300

3, rue de Varembé Geneva, Switzerland
e-mail: inmail@iec.ch IEC web site <http://www.iec.ch>



Commission Electrotechnique Internationale
International Electrotechnical Commission
Международная Электротехническая Комиссия

CODE PRIX
PRICE CODE

N

*Pour prix, voir catalogue en vigueur
For price, see current catalogue*

E R R A T A 1

PUBLICATION 169-5(1970) DE LA CEIPage 18, paragraphe 14.6

Déplacer la première phrase de la quatrième colonne à la troisième colonne.

Page 22, paragraphe 15.2.1

Déplacer le premier alinéa de la quatrième colonne à la troisième colonne.

Page 26, première colonne

au lieu de:

Chaleur humide longue durée

lire:

Essai continu de chaleur humide

IEC PUBLICATION 169-5(1970)Page 19, Sub-clause 14.6

Move first sentence in 4th column to 3rd column.

Page 23, Sub-clause 15.2.1

Move the first paragraph in 4th column to 3rd column.

iTeh STANDARD PREVIEW
(standards.iteh.ai)

Février 1971

SIST HD 134.5 S1:2004

<https://standards.iteh.ai/catalog/standards/sist/a17c2392-38da-49b5-86ab-b85591a9c518/sist-hd-134-5-s1-2004>

iTeh STANDARD PREVIEW
(standards.iteh.ai)

SIST HD 134.5 S1:2004

<https://standards.iteh.ai/catalog/standards/sist/a17c2392-38da-49b5-86ab-b85591a9c51b/sist-hd-134-5-s1-2004>

CONTENTS

	Page
FOREWORD	5
PREFACE	5
Clause	
1. Scope	7
2. IEC type designation	7
3. Ratings	7
4. Climatic category	7
5. Dimensions	8
6. Gauges	10
7. Survey of patterns	11
8. Over-all dimensions	12
9. Schedule for type tests	19

iTeh STANDARD PREVIEW
(standards.iteh.ai)

SIST HD 134.5 S1:2004
<https://standards.iteh.ai/catalog/standards/sist/a17c2392-38da-49b5-86ab-b85591a9c51b/sist-hd-134-5-s1-2004>

INTERNATIONAL ELECTROTECHNICAL COMMISSION

RADIO-FREQUENCY CONNECTORS**Part 5: R.F. coaxial connectors for cables 96 IEC 50-17 and larger**

FOREWORD

- 1) The formal decisions or agreements of the IEC on technical matters, prepared by Technical Committees on which all the National Committees having a special interest therein are represented, express, as nearly as possible, an international consensus of opinion on the subjects dealt with.
- 2) They have the form of recommendations for international use and they are accepted by the National Committees in that sense.
- 3) In order to promote this international unification, the IEC expresses the wish that all National Committees having as yet no national rules, when preparing such rules, should use the IEC recommendations as the fundamental basis for these rules in so far as national conditions will permit.
- 4) The desirability is recognized of extending international agreement on these matters through an endeavour to harmonize national standardization rules with these recommendations in so far as national conditions will permit. The National Committees pledge their influence towards that end.
- 5) The IEC has not laid down any procedure concerning marking as an indication of approval and has no responsibility when an item of equipment is declared to comply with one of its recommendations.

iTeh STANDARD PREVIEW

PREFACE

This Recommendation has been prepared by Sub-Committee 46A, R.F. Cables and their Accessories, of IEC Technical Committee No. 46, Cables, Wires and Waveguides for Telecommunication Equipment. It forms Part 5 of the complete Recommendation for Radio-frequency Connectors.

<https://standards.iteh.ai/catalog/standards/sist/a17c2392-38da-49b5-86ab-38314d1345s1:2004>

Part 1 : General Requirements and Measuring Methods, with which this Publication must be used, is issued as IEC Publication 169-1. The specific Recommendation on Coaxial Unmatched Television Aerial Feeder Connector is issued as IEC Publication 169-2. The Recommendation on Two-pin Connector for Twin Balanced Aerial Feeders is issued as IEC Publication 169-3. The Recommendation on R.F. Coaxial Connector for Cables 96 IEC 50-12 is issued as IEC Publication 169-4.

Subsequent relevant specifications for other types of connectors will be issued from time to time as they become ready.

The first draft of Part 5 was discussed at the meeting held in Aix-les-Bains in 1964. After the meeting held in Tel-Aviv in 1966, a revised draft was submitted to the National Committees for approval under the Six Months' Rule in April 1967.

The following countries voted explicitly in favour of publication of Part 5 :

Australia	Netherlands
Belgium	Norway
Canada	Poland
Denmark	Sweden
Finland	Switzerland
Germany	Turkey
Israel	United Kingdom
Italy	United States of America
Japan	

RADIO-FREQUENCY CONNECTORS

Part 5: R.F. Coaxial connectors for cables 96 IEC 50-17 and larger

1. Scope

This Recommendation covers a range of patterns of r.f. coaxial connectors for use with r.f. cables 96 IEC 50-17 and larger, conforming to IEC Publication 96-2, Radio-frequency Cables, Part 2: Relevant Cable Specifications.

2. IEC type designation

Connectors conforming to this Recommendation shall be designated by:

- a) the reference to this Recommendation: 169-5 IEC;
- b) a serial number (see Clause 7).

Example:

169-5 IEC 50-17-1 denotes a free pin connector to be used with an r.f. coaxial cable 96 IEC 50-17-1/2/3.

[SIST HD 134.5 S1:2004](https://standards.iteh.ai/catalog/standards/sist/a17c2392-38da-49b5-86ab-b85591a9c51b/sist-hd-134-5-s1-2004)

<https://standards.iteh.ai/catalog/standards/sist/a17c2392-38da-49b5-86ab-b85591a9c51b/sist-hd-134-5-s1-2004>

3. Ratings

R.F. connectors, patterns 1 to 5 inclusive and pattern 7, when properly impedance matched, can be used at frequencies up to 4 000 MHz.

Pattern 8, when properly impedance matched, can be used up to 3 000 MHz.

Voltage at sea level: 8 000 V peak max.

Voltage at 30 000 m altitude: 800 V peak max.

4. Climatic category

Category	Temperature range	Damp heat, steady state
40/85/21	--40 °C to +85 °C	21 days

5. Dimensions

Les dimensions en millimètres sont les dimensions originales.

5.1 Connecteur à broche

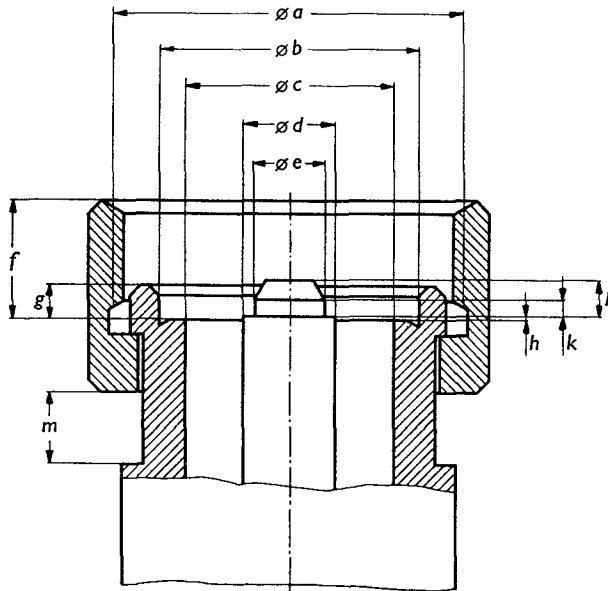


FIGURE 1

5. Dimensions

Millimetre dimensions are original dimensions.

5.1 Pin connector

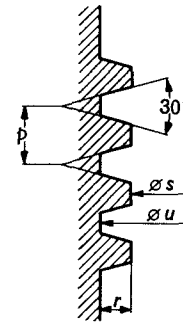


FIG. 2. — Détail du filetage.

Detail of screw thread.

TABLEAU I

(standards.iteh.ai)

TABLE I

Référence Reference	mm	in	Figure	Note	
<i>a</i>	Tr 50 × 3	Tr 50 × 3	1	1-2	
<i>b</i>	37.00 $\begin{smallmatrix} + 0.08 \\ + 0.14 \end{smallmatrix}$	1.457 $\begin{smallmatrix} + 0.0032 \\ + 0.0056 \end{smallmatrix}$		1	
<i>c</i>	29.90 ± 0.11	1.177 ± 0.0043		1	
<i>d</i>	13.00 ± 0.10	0.512 ± 0.004		1	
<i>e</i>	10.00 $\begin{smallmatrix} 0 \\ - 0.036 \end{smallmatrix}$	0.394 $\begin{smallmatrix} 0 \\ - 0.0014 \end{smallmatrix}$		1	
<i>f</i>	15.50 ± 1.00	0.610 ± 0.04			
<i>g</i>	5.05 ± 0.10	0.199 ± 0.004			
<i>h</i>	0.60 $\begin{smallmatrix} 0 \\ - 0.30 \end{smallmatrix}$	0.023 $\begin{smallmatrix} 0 \\ - 0.012 \end{smallmatrix}$			
<i>k</i>	2.80 ± 0.30	0.110 ± 0.012			
<i>l</i>	5.00 max.	0.197 max.			
<i>m</i>	10.00 min.	0.394 min.			
<i>p</i>	3.00	0.118		2	
<i>r</i>	1.50	0.059			
<i>s</i>	47.50	1.870	1		
<i>u</i>	50.50	1.992	1		

Notes 1. — La concentricité de chaque diamètre avec l'axe commun doit être supérieure à $t/2$, « t » étant la tolérance totale sur le diamètre considéré.

2. — Tr 50 × 3 indique un filetage trapézoïdal ayant un diamètre nominal de 50 mm et un pas de 3 mm.

Notes 1. — Each diameter shall be concentric with a common axis within $t/2$, where “ t ” is the total tolerance of that diameter.

2. — Tr 50 × 3 indicates Acme screw thread with nominal diameter 50 mm (1.97 in) and pitch 3 mm (0.118 in).