



# SLOVENSKI STANDARD

## SIST EN 13480-4:2012

01-oktober-2012

Nadomešča:

SIST EN 13480-4:2002

---

### Kovinski industrijski cevovodi - 4. del: Proizvodnja in vgradnja

Metallic industrial piping - Part 4: Fabrication and installation

Metallische industrielle Rohrleitungen - Teil 4: Fertigung und Verlegung

Tuyauteries industrielles métalliques - Partie 4: Fabrication et installation

**iTeh STANDARD PREVIEW**  
(standards.iteh.ai)

**Ta slovenski standard je istoveten z: EN 13480-4:2012**

<https://standards.iteh.ai/catalog/standards/sist/5cc7877a-98ae-4545-ab05-1326a67d1bee/sist-en-13480-4-2012>

#### **ICS:**

77.140.75	Jeklene cevi in cevni profili za posebne namene	Steel pipes and tubes for specific use
-----------	--	---

**SIST EN 13480-4:2012**

**en,fr,de**

**iTeh STANDARD PREVIEW**  
**(standards.iteh.ai)**

SIST EN 13480-4:2012

<https://standards.iteh.ai/catalog/standards/sist/5cc7877a-98ae-4545-ab05-1326a67d1bee/sist-en-13480-4-2012>

EUROPEAN STANDARD  
NORME EUROPÉENNE  
EUROPÄISCHE NORM

**EN 13480-4**

June 2012

ICS 23.040.01

Supersedes EN 13480-4:2002

English Version

## Metallic industrial piping - Part 4: Fabrication and installation

Tuyauteries industrielles métalliques - Partie 4: Fabrication  
et installation

Metallische industrielle Rohrleitungen - Teil 4: Fertigung  
und Verlegung

This European Standard was approved by CEN on 8 May 2012.

CEN members are bound to comply with the CEN/CENELEC Internal Regulations which stipulate the conditions for giving this European Standard the status of a national standard without any alteration. Up-to-date lists and bibliographical references concerning such national standards may be obtained on application to the CEN-CENELEC Management Centre or to any CEN member.

This European Standard exists in three official versions (English, French, German). A version in any other language made by translation under the responsibility of a CEN member into its own language and notified to the CEN-CENELEC Management Centre has the same status as the official versions.

CEN members are the national standards bodies of Austria, Belgium, Bulgaria, Croatia, Cyprus, Czech Republic, Denmark, Estonia, Finland, France, Germany, Greece, Hungary, Iceland, Ireland, Italy, Latvia, Lithuania, Luxembourg, Malta, Netherlands, Norway, Poland, Portugal, Romania, Slovakia, Slovenia, Spain, Sweden, Switzerland, Turkey and United Kingdom.

**IT IS STANDARD PREVIEW**  
**(standards.iteh.ai)**

SIST EN 13480-4:2012  
<https://standards.iteh.ai/catalog/standards/sist/5cc7877a-98ae-4545-ab05-1326a67d1bee/sist-en-13480-4-2012>



EUROPEAN COMMITTEE FOR STANDARDIZATION  
COMITÉ EUROPÉEN DE NORMALISATION  
EUROPÄISCHES KOMITEE FÜR NORMUNG

**Management Centre: Avenue Marnix 17, B-1000 Brussels**

## Contents

Page

Foreword.....	4
1 Scope .....	6
2 Normative references .....	6
3 Terms and definitions .....	7
4 Symbols .....	7
5 General.....	7
5.1 Requirements on the manufacturer .....	7
5.2 Requirements on fabricators and installers of piping and supports .....	8
5.3 Requirements for fabrication and installation .....	8
5.4 Classification of piping .....	8
5.5 Material grouping.....	9
5.6 Tolerances .....	9
6 Cutting and bevelling .....	9
6.1 General.....	9
6.2 Transfer of marking for pressure parts .....	9
7 Bending and other forming.....	9
7.1 General.....	9
7.2 Heat treatment after cold forming .....	12
7.2.1 Flat products .....	12
7.2.2 Pipes .....	12
7.3 Heat treatment after hot forming.....	14
7.3.1 Material groups 1, 3, 4, 5 and 6.....	14
7.3.2 Material groups 8.1 and 8.2.....	14
7.3.3 Heat treatment after hot forming for material group 10.....	16
7.3.4 Heat treatment after hot forming for clad materials.....	16
7.4 Tolerances .....	16
7.4.1 Out-of-roundness of bends under internal pressure equal to, or greater than, the external pressure.....	16
7.4.2 Out-of-roundness of bends under external pressure and vacuum .....	17
7.4.3 Waves at bends.....	17
7.4.4 Start-up bulge of induction bends .....	18
7.5 Surface finish .....	19
8 Installation of piping.....	19
8.1 Fixing and alignment.....	19
8.2 Field run piping .....	20
8.3 Flanged or similar mechanical connections.....	21
8.3.1 Flange connections .....	21
8.3.2 Threaded connections .....	22
8.3.3 Couplings and compression fittings .....	22
8.4 Protection of ends of piping components .....	22
9 Welding .....	22
9.1 Welding personnel.....	22
9.2 Welding procedure specifications .....	22
9.3 Welding processes .....	23
9.3.1 Verification of suitability .....	23
9.3.2 Application .....	23
9.4 Filler metals and auxiliary materials .....	23
9.5 Climatic conditions.....	24
9.6 Cleaning before and after welding .....	24
9.7 Weld joint preparation .....	24
9.8 Edge protection.....	24
9.9 Assembly for welding.....	24

9.10	Earthing .....	25
9.11	Execution of welded joints .....	25
9.11.1	Preheating .....	25
9.11.2	Striking marks.....	25
9.11.3	Fillet-weld connections.....	25
9.11.4	Dissimilar joints.....	26
9.12	Backing rings .....	26
9.13	Attachments .....	26
9.13.1	General .....	26
9.13.2	Temporary attachments.....	26
9.13.3	Permanent attachments.....	26
9.14	Post-weld heat treatment.....	27
9.14.1	General .....	27
9.14.2	Equipment .....	30
9.14.3	Temperature measurements .....	30
9.14.4	Controlling thickness.....	30
9.14.5	Rate of heating.....	32
9.14.6	Local heat treatment .....	32
9.14.7	Insulation.....	33
9.15	Weld identification.....	33
10	Adjustment and repair .....	33
10.1	General .....	33
10.2	Adjustment.....	33
10.2.1	General .....	33
10.2.2	Adjustments by means of heat .....	33
10.2.3	Adjustment by welding .....	34
10.2.4	Adjustment by local forging.....	34
10.3	Weld repair .....	34
11	Marking and documentation .....	34
11.1	Marking of spools and components for installation.....	34
11.2	Marking of installed piping.....	34
11.2.1	General .....	34
11.2.2	Marking.....	35
11.3	Final documentation package.....	35
12	Additional requirements .....	36
12.1	Cleaning .....	36
12.2	Temporary preservation .....	36
12.3	External corrosion protection .....	36
12.4	Thermal and acoustic insulation .....	36
12.5	Connections for static electricity.....	36
Annex A	(informative) Contamination and surface quality of stainless steel .....	38
Annex B	(normative) Dimensional tolerances for fabricated spools .....	41
Annex Y	(informative) History of EN 13480-4 .....	43
Annex ZA	(informative) Relationship between this European Standard and the Essential Requirements of EU Pressure Equipment Directive (97/23/EC) .....	44
Bibliography	.....	45

**EN 13480-4:2012 (E)**  
**Issue 1 (2012-06)**

## Foreword

This document (EN 13480-4:2012) has been prepared by Technical Committee CEN/TC 267 “Industrial piping and pipelines”, the secretariat of which is held by AFNOR.

This European Standard shall be given the status of a national standard, either by publication of an identical text or by endorsement, at the latest by December 2012, and conflicting national standards shall be withdrawn at the latest by December 2012.

Attention is drawn to the possibility that some of the elements of this document may be the subject of patent rights. CEN [and/or CENELEC] shall not be held responsible for identifying any or all such patent rights.

This document has been prepared under a mandate given to CEN by the European Commission and the European Free Trade Association, and supports essential requirements of EU Directive(s).

For relationship with EU Directive(s), see informative Annex ZA, which is an integral part of this document.

This European Standard EN 13480 for metallic industrial piping consists of eight interdependent and not dissociable Parts which are:

— Part 1: General;

— Part 2: Materials;

— Part 3: Design and calculation;

— Part 4: Fabrication and installation;

— Part 5: Inspection and testing;

— Part 6: Additional requirements for buried piping;

— CEN/TR 13480-7, *Guidance on the use of conformity assessment procedures*;

— Part 8: Additional requirements for aluminium and aluminium alloy piping.

Although these Parts may be obtained separately, it should be recognised that the Parts are interdependent. As such the manufacture of metallic industrial piping requires the application of all the relevant Parts in order for the requirements of the Standard to be satisfactorily fulfilled.

This European Standard will be maintained by a Maintenance MHD working group whose scope of working is limited to corrections and interpretations related to EN 13480.

The contact to submit queries can be found at [http://portailgroupe.afnor.fr/public\\_espacenormalisation/CENTC267WG8/index.htm](http://portailgroupe.afnor.fr/public_espacenormalisation/CENTC267WG8/index.htm). A form for submitting questions can be downloaded from the link to the MHD website. After subject experts have agreed an answer, the answer will be communicated to the questioner. Corrected pages will be given specific issue number and issued by CEN according to CEN Rules. Interpretation sheets will be posted on the website of the MHD.

This document supersedes EN 13480-4:2002. This new edition incorporates the Amendments/the corrigenda which have been approved previously by CEN members, and the corrected pages up to Issue 17 without any further technical change. Annex Y provides details of significant technical changes between this European Standard and the previous edition.

Amendments to this new edition may be issued from time to time and then used immediately as alternatives to rules contained herein. It is intended to deliver a new Issue of EN 13480:2012 each year, consolidating these Amendments and including other identified corrections.

According to the CEN/CENELEC Internal Regulations, the national standards organizations of the following countries are bound to implement this European Standard: Austria, Belgium, Bulgaria, Croatia, Cyprus, Czech Republic, Denmark, Estonia, Finland, France, Germany, Greece, Hungary, Iceland, Ireland, Italy, Latvia, Lithuania, Luxembourg, Malta, Netherlands, Norway, Poland, Portugal, Romania, Slovakia, Slovenia, Spain, Sweden, Switzerland, Turkey and the United Kingdom.

## **iTeh STANDARD PREVIEW** **(standards.iteh.ai)**

[SIST EN 13480-4:2012](https://standards.iteh.ai/catalog/standards/sist/5cc7877a-98ae-4545-ab05-1326a67d1bee/sist-en-13480-4-2012)

<https://standards.iteh.ai/catalog/standards/sist/5cc7877a-98ae-4545-ab05-1326a67d1bee/sist-en-13480-4-2012>

**EN 13480-4:2012 (E)**  
**Issue 1 (2012-06)**

## 1 Scope

This Part of this European Standard specifies the requirements for fabrication and installation of piping systems, including supports, designed in accordance with EN 13480-3:2012.

## 2 Normative references

The following documents, in whole or in part, are normatively referenced in this document and are indispensable for its application. For dated references, only the edition cited applies. For undated references, the latest edition of the referenced document (including any amendments) applies.

EN 287-1:2004+A2:2006, *Qualification test of welders — Fusion welding — Part 1: Steels*

EN 1418:1997, *Welding personnel — Approval testing of welding operators for fusion welding and resistance weld setters for fully mechanized and automatic welding of metallic materials*

EN 10088-1:2005, *Stainless steels — Part 1: List of stainless steels*

EN 10204:2004, *Metallic materials — Types of inspection documents*

EN 13480-1:2012, *Metallic industrial piping — Part 1: General*

EN 13480-3:2012, *Metallic industrial piping — Part 3: Design and calculation*

EN 13480-5:2012, *Metallic industrial piping — Part 5: Inspection and testing*

EN ISO 4063:2010, *Welding and allied processes — Nomenclature of processes and reference numbers (ISO 4063:2009)*

<https://standards.iteh.ai/catalog/standards/sist/5cc7877a-98ae-4545-ab05-1326a67d1bee/sist-en-13480-4-2012>

EN ISO 5817:2007, *Welding — Fusion-welded joints in steel, nickel, titanium and their alloys (beam welding excluded) — Quality levels for imperfections (ISO 5817:2003)*

EN ISO 13920:1996, *Welding — General tolerances for welded constructions — Dimensions for lengths and angles; shape and position (ISO 13920:1996)*

EN ISO 15609-1:2004, *Specification and qualification of welding procedures for metallic materials — Welding procedure specification — Part 1: Arc welding (ISO 15609-1:2004)*

EN ISO 15609-2:2001+A1:2003, *Specification and qualification of welding procedures for metallic materials — Welding procedure specification — Part 2: Gas welding (ISO 15609-2:2001)*

EN ISO 15610:2003, *Specification and qualification of welding procedures for metallic materials — Qualification based on tested welding consumables (ISO 15610:2003)*

EN ISO 15611:2003, *Specification and qualification of welding procedures for metallic materials — Qualification based on previous welding experience (ISO 15611:2003)*

EN ISO 15612:2004, *Specification and qualification of welding procedures for metallic materials — Qualification by adoption of a standard welding procedure (ISO 15612:2004)*

EN ISO 15613:2004, *Specification and qualification of welding procedure for metallic materials — Qualification based on pre-production welding test (ISO 15613:2004)*



EN ISO 15614-1:2004+A1:2008, *Specification and qualification of welding procedures for metallic materials — Welding procedure test — Part 1: Arc and gas welding of steels and arc welding of nickel and nickel alloys (ISO 15614-1:2004+AMD 1:2008)*

CEN ISO/TR 15608:2005, *Welding — Guidelines for a metallic material grouping system (ISO/TR 15608:2005)*

### 3 Terms and definitions

For the purposes of this Part of this European Standard, the terms and definitions given in EN 13480-1:2012 together with the following apply.

#### 3.1

##### **field run piping**

piping installed without preplanning by drawings of the piping routing and the support points

Note to entry Typical dimensions are DN 50 or smaller.

#### 3.2

##### **spool (with or without overlength)**

prefabricated assembly of components which forms part of a piping system

#### 3.3

##### **cold forming**

iTeh STANDARD PREVIEW  
(standards.iteh.ai)

##### 3.3.1

##### **cold forming for ferritic steels**

forming at temperatures 20 °C to 30 °C below the maximum permissible temperature for post-weld heat treatment in accordance with Table 9.14.1-1

<https://standards.iteh.ai/catalog/standards/sist/5cc7877a-98ae-4545-ab05-1326a67d1bee/sist-en-13480-4-2012>

##### 3.3.2

##### **cold forming for austenitic steels**

forming at temperatures below 300 °C

#### 3.4

##### **hot forming**

for ferritic steels, forming at temperatures at or above the maximum permissible temperature for post-weld heat treatment in accordance with Table 9.14.1-1

### 4 Symbols

For the purposes of this Part of this European Standard, the symbols given in EN 13480-1:2012 apply. Additional symbols are defined in appropriate clauses of this Part.

### 5 General

#### 5.1 Requirements on the manufacturer

The manufacturer shall be responsible for the fabrication and the installation, even if this work will be sub-contracted.

## EN 13480-4:2012 (E) Issue 1 (2012-06)

### 5.2 Requirements on fabricators and installers of piping and supports

**5.2.1** The fabricators and/or installers shall ensure the correct transport, handling, storage, fabrication and installation of all piping components including supports.

**5.2.2** The fabricators and installers shall have access to facilities which enable them to handle the piping components including supports correctly and to carry out the required tests.

**5.2.3** The fabricators and/or installers shall employ their own responsible supervisors and competent personnel.

If sub-contractors are employed, the fabricator and/or installer shall remain responsible for their competence and the compliance with this European Standard.

**5.2.4** All stages of fabrication and installation shall be supervised in such a way as to maintain the design integrity of the finished system.

**5.2.5** Co-ordination between those responsible for design and those responsible for fabrication and/or installation shall be maintained at all times, to ensure that fabrication and installation is carried out in accordance with the design specification.

### 5.3 Requirements for fabrication and installation

**5.3.1** Prior to any operation, a check shall be made to ensure that the spools and components supplied are in accordance with the relevant documents (specifications, drawings, certificates etc.).

**5.3.2** Prefabricated spools and components shall be protected during handling, transport, and storage.

**5.3.3** When joining spools or components, they shall not be strained nor deformed other than as may be required by the design. Designer's installation instructions, if any, shall be observed.

**NOTE** 5.3.3 is deemed to be fulfilled, when the quality characteristics of the material are not impaired by cold or hot forming, e.g. by cutting, grinding, straightening or bending, of the pipes and when the different pipes have been joined such that stresses and deformations which can impair the safety of the piping are excluded.

**5.3.4** Any temporary supports or restraints used as an aid during transport, installation or testing shall be removed prior to commissioning.

**5.3.5** Appropriate measures shall be taken to avoid corrosion-inducing contamination of stainless steel and non-ferrous materials. If contamination occurs, it shall be properly removed as soon as practicable, notwithstanding any final treatment.

**NOTE** Recommended methods for the prevention and removal of contamination on stainless steel are given in Annex A.

**5.3.6** Piping for fluids which are likely to cause condensation shall be installed with adequate slopes and traps.

### 5.4 Classification of piping

The piping systems shall be classified into different categories depending on the fluid carried, diameter and pressure. These are given in EN 13480-1:2012.

## 5.5 Material grouping

Material grouping shall comply with CEN ISO/TR 15608:2005.

## 5.6 Tolerances

Tolerances shall comply with EN ISO 13920:1996, class C and class G except where other classes are specified in this European Standard.

Angular tolerances for fabricated pipework shall be determined by the dimensional tolerance for the terminal points of the finished part.

Alternative tolerances for fabrication and installation of pipework shall be determined and in all cases these shall be identified in the specification. Dimensional tolerances for fabricated spools shall comply with Annex B.

## 6 Cutting and bevelling

### 6.1 General

Cutting and bevelling by machining shall be permitted for all materials.

Flame cutting shall be permitted for material groups 1, 2, 3, 4 and 5 only with preheating as for welding.

NOTE Flame cutting for material groups 1 and 2 can be used for bevelling, if the required bevel forms and tolerances can be achieved and the heat affected zone has no detrimental effects on the quality of the weld.

For material groups 3, 4 and 5, the heat affected zone shall be removed by machining or grinding.

Plasma cutting shall be permitted for all material groups given in this European Standard. Plasma cutting shall be preceded by preheating, as specified for welding in 9.11.1.

Other cutting and bevelling processes shall be permitted, provided their suitability is demonstrated.

### 6.2 Transfer of marking for pressure parts

For pressure parts, identification of materials shall remain possible, either by retaining or by transferring the mark stipulated by the product standard, or by using a unique code kept in the records of the piping fabricator.

Stamping shall not introduce a notching effect, therefore stamping with round edges is recommended.

If any method of marking other than hard-stamping or engraving (vibrograph) is used, the fabricator shall ensure that confusion between different materials is not possible, e.g. by separate handling (time and/or place), stamped bands.

## 7 Bending and other forming

### 7.1 General

7.1.1 Fabricators of formed pressure parts shall have adequate equipment for the forming procedures and the subsequent heat treatment.

NOTE 1 Forming of expansion bellows is specified in EN 13445-3:2009, clause 14.

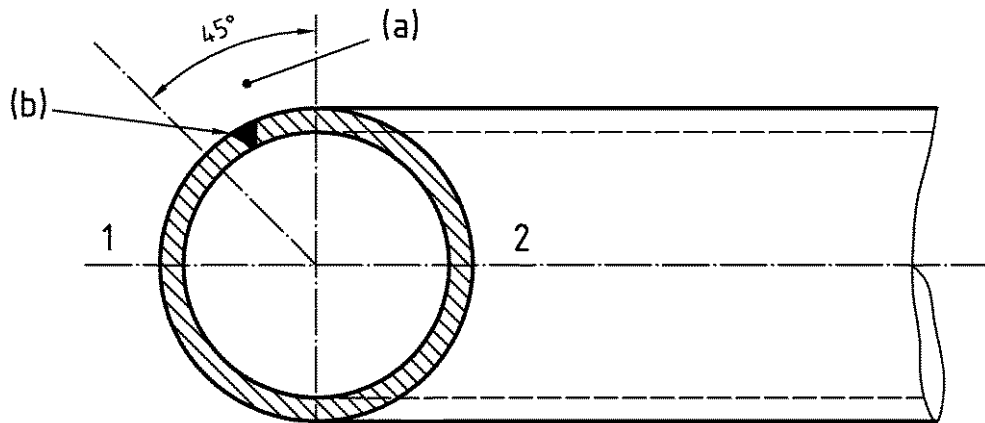
**EN 13480-4:2012 (E)**  
**Issue 1 (2012-06)**

Pipes with internal coating such as glass, rubber or plastics shall not be formed unless it has been demonstrated that the forming process is not detrimental to the lining.

NOTE 2 There are two kinds of forming within the scope of this standard: cold forming and hot forming.

The thickness after bending or forming shall be not less than that required by the design.

NOTE 3 Longitudinal welds should be located at the neutral zone. The range of the neutral zone after bending is given in Figure 7.1.1-1.



**iTeh STANDARD PREVIEW**  
**(standards.iteh.ai)**

**Key**

1 extrados

2 intrados

a optimal range for the longitudinal weld seam at bending

b weld seam

SIST EN 13480-4:2012

<https://standards.iteh.ai/catalog/standards/sist/5cc7877a-98ae-4545-ab05-1520a67d1bee/sist-en-13480-4-2012>

**Figure 7.1.1-1 — Optimal range for the longitudinal weld seam at bending**

**7.1.2** The forming and post-forming heat treatment of thermomechanical steels shall be given individual consideration. Account shall be taken of the recommendations of the steelmakers.

NOTE Pipes whose properties have been generated by thermomechanical means such as controlled rolling can be formed by hot or cold methods. Such materials may be substantially changed by the forming process and require particular consideration to ensure that the specified properties are recovered after forming.

**7.1.3** The following equations shall be used for the calculation of the percentage deformation for cold formed cylinders and cone products made by rolling (see Figure 7.1.3-1):

a) For cylinders and cones rolled from flat materials (see Figures 7.1.3-1a) and 7.1.3-1c):

$$V_d = \frac{50 e_{ord}}{r_{mf}} \quad (7.1.3-1)$$

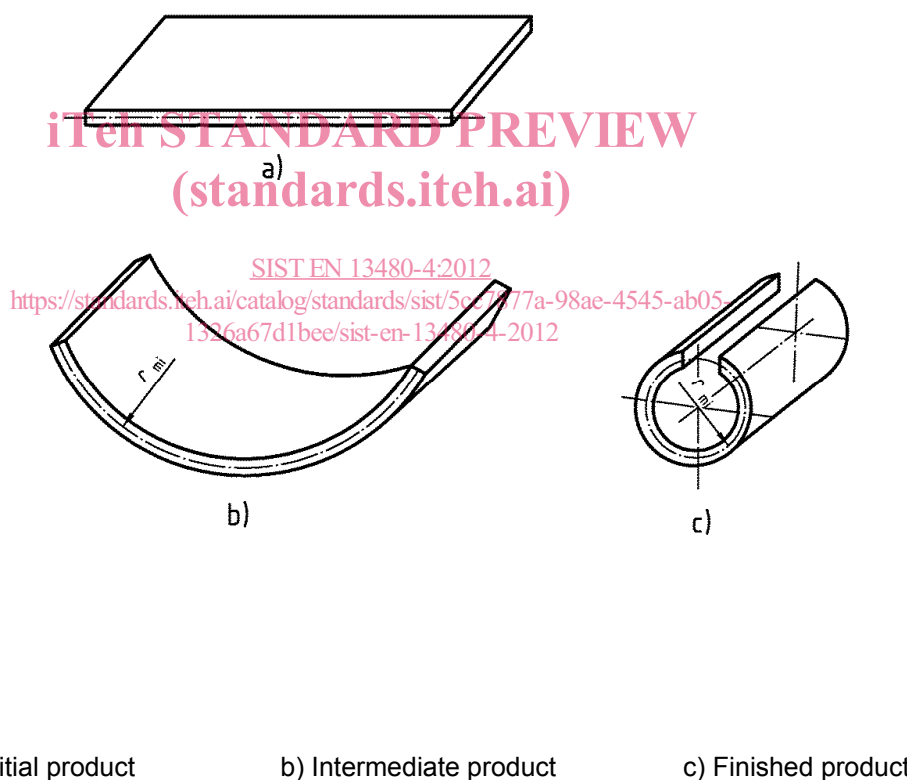
b) For cylinders and cones rolled from intermediate product (see Figures 7.1.3-1b) and 7.1.3-1c):

$$V_d = \frac{50 e_{\text{int}}}{r_{\text{mf}}} \left( 1 - \frac{r_{\text{mf}}}{r_{\text{mi}}} \right) \quad (7.1.3-2)$$

where

- $e_{\text{ord}}$  is the ordered thickness;
- $e_{\text{int}}$  is the thickness of the intermediate product;
- $r_{\text{mf}}$  is the average radius of the finished product;
- $r_{\text{mi}}$  is the average radius of the intermediate product;
- $V_d$  is the deformation as a percentage.

NOTE If no intermediate quality heat treatment is applied between individual forming steps, the deformation is the total amount of deformation of the individual steps. If intermediate quality heat treatment is applied between the forming steps, the deformation is that deformation applied after the last treatment.



**Figure 7.1.3-1 — Forming of cylinders and cones**

**7.1.4** Tools and equipment used for forming shall be maintained to ensure a smooth profile free from scores, scratches or other stress-raising defects.

**7.1.5** Heat treatment after forming shall be in accordance with the respective material standard.

**7.1.6** Welding on to formed areas shall not be performed until heat treatment is complete.