



# SLOVENSKI STANDARD

## SIST HD 351.5 S1:2004

01-januar-2004

---

**[Not translated]**

Rigid precision coaxial lines and their associated precision connectors - Part 5: 50 ohm 3,5 mm rigid precision coaxial line with provision for mounting connectors (IEC 60457-5:1984)

Präzisionsrohrleitungen und zugehörige Präzisionssteckverbinder - Teil 5: 50 Ohm/3,5 mm Präzisionsrohrleitungen mit Steckverbinder-Montage-Aufnahmen (IEC 60457-5:1984)

(standards.iteh.ai)

Lignes coaxiales rigides de précision et leurs connecteurs de précision associés - Partie 5: 50 ohm 3,5 mm - Ligne coaxiale rigide de précision et disposition pour le montage des connecteurs (IEC 60457-5:1984)

**Ta slovenski standard je istoveten z: HD 351.5 S1:1986**

---

**ICS:**

33.120.10 Koaksialni kabli. Valovodi Coaxial cables. Waveguides

**SIST HD 351.5 S1:2004 en**

**iTeh STANDARD PREVIEW**  
**(standards.iteh.ai)**

[SIST HD 351.5 S1:2004](#)

<https://standards.iteh.ai/catalog/standards/sist/db0af841-8aab-484a-af59-89c2b5df8888/sist-hd-351-5-s1-2004>

UDC : 621.316.541:621.315.212

KEY WORDS : Coaxial line; associated connectors; precision

RIGID PRECISION COAXIAL LINES AND THEIR ASSOCIATED  
PRECISION CONNECTORS  
PART 5 : 50 OHMS 3.5 MM RIGID PRECISION COAXIAL  
LINE WITH PROVISION FOR MOUNTING CONNECTORS

Lignes coaxiales rigides de  
précision et leurs connecteurs  
de précision associés  
Cinquième partie : 50 ohms 3,5  
mm - Ligne coaxiale rigide de  
précision et disposition pour le  
montage de connecteurs

Präzisionsrohrleitungen und  
zugehörige  
Präzisionssteckverbinder  
Teil 5: 50 Ohm/3,5 mm  
Präzisionsrohrleitungen mit  
Steckverbinder-Montage-Aufnahmen

**iTeh STANDARD PREVIEW**  
**(standards.iteh.ai)**

BODY OF THE HD

The Harmonization Document consists of: [SIST HD 351.5 S1:2004](https://standards.iteh.ai/catalog/standards/sist/db0af841-8aab-484a-af59-89e2b5d8886/sist-hd-351-5-s1-2004)- IEC 457-5 (1984) ed 1 ; IEC/SC 46D, not appended  
<https://standards.iteh.ai/catalog/standards/sist/db0af841-8aab-484a-af59-89e2b5d8886/sist-hd-351-5-s1-2004>

This Harmonization Document was approved by CENELEC on 1986-06-26

The English and French versions of the HD are provided by the text of the IEC publication and the German version is the official translation of the IEC text.

According to the CENELEC Internal Regulations the CENELEC member National Committees are bound :

to announce the existence of this Harmonization Document at national level by or before 1987-01-01

to publish their new harmonized national standard by or before 1987-07-01

to withdraw all conflicting national standards by or before 1987-07-01

Harmonized national standards are listed on the HD information sheet, which is available from the CENELEC National Committees or from the CENELEC General Secretariat.

The CENELEC National Committees are the national electrotechnical committees of Austria, Belgium, Denmark, Finland, France, Germany, Greece, Ireland, Italy, Luxemburg, Netherlands, Norway, Portugal, Spain, Sweden, Switzerland, United Kingdom.

**iTeh STANDARD PREVIEW**  
**(standards.iteh.ai)**

[SIST HD 351.5 S1:2004](#)

<https://standards.iteh.ai/catalog/standards/sist/db0af841-8aab-484a-af59-89c2b5df8888/sist-hd-351-5-s1-2004>

**NORME  
INTERNATIONALE  
INTERNATIONAL  
STANDARD**

**CEI  
IEC**

**60457-5**

Première édition  
First edition  
1984-01

**Lignes coaxiales rigides de précision  
et leurs connecteurs de précision associés**

**Cinquième partie:  
50 ohms 3,5 mm – Ligne coaxiale rigide de  
précision et disposition pour le montage  
de connecteurs**

ITEH STANDARDS PREVIEW  
(standards.iteh.ai)

SIST HD 351.5 S1:2004  
<https://standards.iteh.ai/catalog/standards/sist/351-5-1-2004/iec-60457-5-1984-af59-2015-548988/iec-60457-5-1-2004>

**Rigid precision coaxial lines  
and their associated precision connectors**

**Part 5:  
50 ohms 3.5 mm rigid precision coaxial line  
with provision for mounting connectors**

© IEC 1984 Droits de reproduction réservés — Copyright - all rights reserved

Aucune partie de cette publication ne peut être reproduite ni utilisée sous quelque forme que ce soit et par aucun procédé, électronique ou mécanique, y compris la photocopie et les microfilms, sans l'accord écrit de l'éditeur.

No part of this publication may be reproduced or utilized in any form or by any means, electronic or mechanical, including photocopying and microfilm, without permission in writing from the publisher.

International Electrotechnical Commission  
Telefax: +41 22 919 0300

3, rue de Varembé Geneva, Switzerland  
e-mail: [inmail@iec.ch](mailto:inmail@iec.ch) IEC web site <http://www.iec.ch>



Commission Electrotechnique Internationale  
International Electrotechnical Commission  
Международная Электротехническая Комиссия

CODE PRIX  
PRICE CODE

**C**

Pour prix, voir catalogue en vigueur  
For price, see current catalogue

## INTERNATIONAL ELECTROTECHNICAL COMMISSION

**RIGID PRECISION COAXIAL LINES  
AND THEIR ASSOCIATED PRECISION CONNECTORS**

**Part 5: 50 ohms 3.5 mm rigid precision coaxial line  
with provision for mounting connectors**

## FOREWORD

- 1) The formal decisions or agreements of the IEC on technical matters, prepared by Technical Committees on which all the National Committees having a special interest therein are represented, express, as nearly as possible, an international consensus of opinion on the subjects dealt with.
- 2) They have the form of recommendations for international use and they are accepted by the National Committees in that sense.
- 3) In order to promote international unification, the IEC expresses the wish that all National Committees should adopt the text of the IEC recommendation for their national rules in so far as national conditions will permit. Any divergence between the IEC recommendation and the corresponding national rules should, as far as possible, be clearly indicated in the latter.

**iTeh STANDARD PREVIEW**  
**(standards.iteh.ai)**

This standard has been prepared by Sub-Committee 46D: Connectors for R.F. Cables, of IEC Technical Committee No. 46: Cables, Wires and Waveguides for Telecommunication Equipment.

The text of this standard is based upon the following documents:

Six Months' Rule	Report on Voting	Two Months' Procedure	Report on Voting
46D(CO)74	46D(CO)85	46D(CO)86	46D(CO)90

Further information can be found in the relevant Reports on Voting indicated in the table above.

**LIGNES COAXIALES RIGIDES  
DE PRÉCISION  
ET LEURS CONNECTEURS  
DE PRÉCISION ASSOCIÉS**

**Cinquième partie: 50 ohms 3,5 mm –  
Ligne coaxiale rigide de précision  
et disposition pour le montage  
de connecteurs**

**RIGID PRECISION COAXIAL LINES  
AND THEIR ASSOCIATED  
PRECISION CONNECTORS**

**Part 5: 50 ohms 3.5 mm  
rigid precision coaxial line  
with provision for mounting  
connectors**

*Dimensions*

La configuration géométrique de la ligne coaxiale rigide de précision et la disposition pour le montage de connecteurs sont illustrés sur la figure 1, voir page ci-contre. Les dimensions et les tolérances sont indiquées dans le tableau qui en fait partie.

*Dimensions*

The geometrical configuration of the rigid precision coaxial line and the provisions for mounting connectors are shown in Figure 1, see opposite page. The relevant dimensions and tolerances are given in the pertinent table.

**iTeh STANDARD PREVIEW  
(standards.iteh.ai)**

SIST HD 351.5 S1:2004

<https://standards.iteh.ai/catalog/standards/sist/db0af841-8aab-484a-af59-89c2b5df8888/sist-hd-351-5-s1-2004>

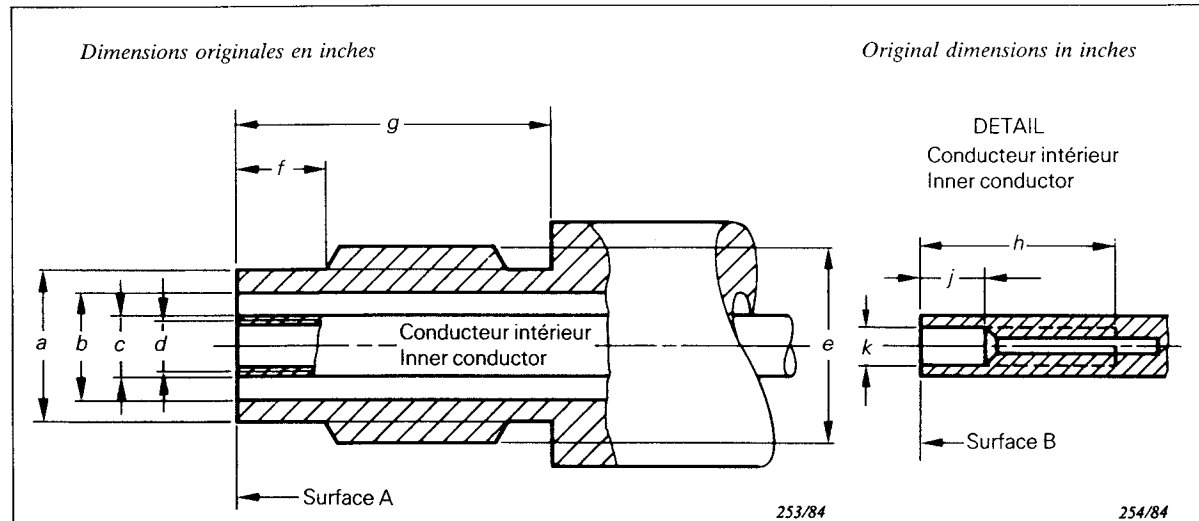


FIG. 1

FIG. 1A

*Note.* – La surface B du conducteur intérieur sera, avec une tolérance de  $-0,0005$  in ( $-0,013$  mm) à fleur de la surface A du conducteur extérieur.

*Note.* – Surface B of inner conductor should be, with a tolerance of  $-0.0005$  in ( $-0.013$  mm), flush with surface A of outer conductor.

*Dimensions des figures 1 et 1A*

*Dimensions of Figures 1 and 1A*

Réf. Ref.	Millimètres Millimetres		Inches		Remarques Remarks
	Max.	Min.	Max.	Min.	
<i>a</i>	5,0673	5,0546	0,1995	0,1990	Diamètre/Diameter
<i>b</i>	3,5050	3,4950	0,1380	0,1376	Diamètre/Diameter
<i>c</i>	1,520 nominal 0,0598				Diamètre/Diameter
<i>d</i>	M 0,9 × 0,225				Filet/Thread
<i>e</i>	1/4-28 UNF-2A				Filet/Thread
<i>f</i>	2,921	2,540	0,115	0,100	
<i>g</i>	–	9,525	–	0,375	
<i>h</i>	–	4,750	–	0,187	Filet tout le long/Full threads
<i>j</i>	1,778	1,524	0,070	0,060	
<i>k</i>	0,9068	0,9017	0,0357	0,0355	Diamètre/Diameter