



# SLOVENSKI STANDARD

## kSIST FprEN 748:2012

01-november-2012

---

### Oprema športnih igrišč - Nogometna vrata - Funkcionalne in varnostne zahteve ter preskusne metode

Playing field equipment - Football goals - Functional and safety requirements, test methods

Spielfeldgeräte - Fußballtore - Funktionelle und sicherheitstechnische Anforderungen, Prüfverfahren

Equipements de jeux - Buts de football - Exigences fonctionnelles et de sécurité, méthodes d'essai

**Ta slovenski standard je istoveten z: FprEN 748**

---

#### **ICS:**

97.220.30	Oprema za dvoranske športe	Indoor sports equipment
97.220.40	Oprema za športe na prostem in vodne športe	Outdoor and water sports equipment

**kSIST FprEN 748:2012**

**en,fr,de**



EUROPEAN STANDARD  
NORME EUROPÉENNE  
EUROPÄISCHE NORM

**FINAL DRAFT**  
**FprEN 748**

September 2012

ICS 97.220.30; 97.220.40

Will supersede EN 748:2004

English Version

## Playing field equipment - Football goals - Functional and safety requirements, test methods

Equipements de jeux - Buts de football - Exigences fonctionnelles et de sécurité, méthodes d'essai

Spielfeldgeräte - Fußballtore - Funktionelle und sicherheitstechnische Anforderungen, Prüfverfahren

This draft European Standard is submitted to CEN members for unique acceptance procedure. It has been drawn up by the Technical Committee CEN/TC 136.

If this draft becomes a European Standard, CEN members are bound to comply with the CEN/CENELEC Internal Regulations which stipulate the conditions for giving this European Standard the status of a national standard without any alteration.

This draft European Standard was established by CEN in three official versions (English, French, German). A version in any other language made by translation under the responsibility of a CEN member into its own language and notified to the CEN-CENELEC Management Centre has the same status as the official versions.

CEN members are the national standards bodies of Austria, Belgium, Bulgaria, Croatia, Cyprus, Czech Republic, Denmark, Estonia, Finland, Former Yugoslav Republic of Macedonia, France, Germany, Greece, Hungary, Iceland, Ireland, Italy, Latvia, Lithuania, Luxembourg, Malta, Netherlands, Norway, Poland, Portugal, Romania, Slovakia, Slovenia, Spain, Sweden, Switzerland, Turkey and United Kingdom.

Recipients of this draft are invited to submit, with their comments, notification of any relevant patent rights of which they are aware and to provide supporting documentation.

**Warning** : This document is not a European Standard. It is distributed for review and comments. It is subject to change without notice and shall not be referred to as a European Standard.



EUROPEAN COMMITTEE FOR STANDARDIZATION  
COMITÉ EUROPÉEN DE NORMALISATION  
EUROPÄISCHES KOMITEE FÜR NORMUNG

**Management Centre: Avenue Marnix 17, B-1000 Brussels**

## Contents

	Page
Foreword.....	3
<b>1 Scope .....</b>	<b>4</b>
<b>2 Normative references .....</b>	<b>4</b>
<b>3 Requirements for sizes 7,32 m × 2,44 m and 5,00 m × 2,00 m.....</b>	<b>4</b>
3.1 Classification.....	4
3.2 Dimensions.....	4
3.3 Material .....	8
3.4 Design .....	9
3.4.1 Goal frame .....	9
3.4.2 Nets .....	9
3.4.3 Ground sockets.....	10
<b>4 Safety requirements .....</b>	<b>10</b>
4.1 General requirements.....	10
4.2 Goal frame .....	10
4.3 Strength .....	10
4.4 Stability .....	11
4.5 Net fixings.....	11
4.6 Frame entrapment.....	11
<b>5 Test methods.....</b>	<b>11</b>
5.1 General.....	11
5.2 Determination of strength.....	11
5.3 Determination of stability.....	11
5.3.1 Testing of Types 1 to 3.....	11
5.3.2 Stability test Type 4 .....	12
5.4 Strength test for net fixings.....	13
<b>6 Assembly, installation and maintenance instruction.....</b>	<b>13</b>
<b>7 Warning label .....</b>	<b>13</b>
<b>8 Marking .....</b>	<b>14</b>
<b>Annex A (informative) Example of foundations .....</b>	<b>15</b>
<b>Annex B (informative) A-Deviation .....</b>	<b>17</b>
<b>Bibliography .....</b>	<b>18</b>

## Foreword

This document (FprEN 748:2012) has been prepared by Technical Committee CEN/TC 136 “Sports, playground and other recreational facilities and equipment”, the secretariat of which is held by DIN.

This document is currently submitted to the Unique Acceptance Procedure.

This document will supersede EN 748:2004+AC:2005.

In relation to EN 748:2004+AC:2005 the following main amendments have been made:

- a) Normative references have been updated.
- b) Figure 3 and Figure 4 have been updated.

## FprEN 748:2012 (E)

### 1 Scope

This document specifies the functional requirements for 4 types and 2 sizes (see Clause 3) and the safety requirements (see Clause 4) for football goals.

It is applicable to football goals for training and competition in outdoor sports facilities and indoor arenas.

### 2 Normative references

The following documents, in whole or in part, are normatively referenced in this document and are indispensable for its application. For dated references, only the edition cited applies. For undated references, the latest edition of the referenced document (including any amendments) applies.

EN ISO 1806, *Fishing nets — Determination of mesh breaking force of netting (ISO 1806)*

EN ISO 2307, *Fibre ropes — Determination of certain physical and mechanical properties (ISO 2307)*

### 3 Requirements for sizes 7,32 m × 2,44 m and 5,00 m × 2,00 m

#### 3.1 Classification

Football goals shall be classified by the design (types and sizes) as shown in Table 1.

**Table 1 — Types**

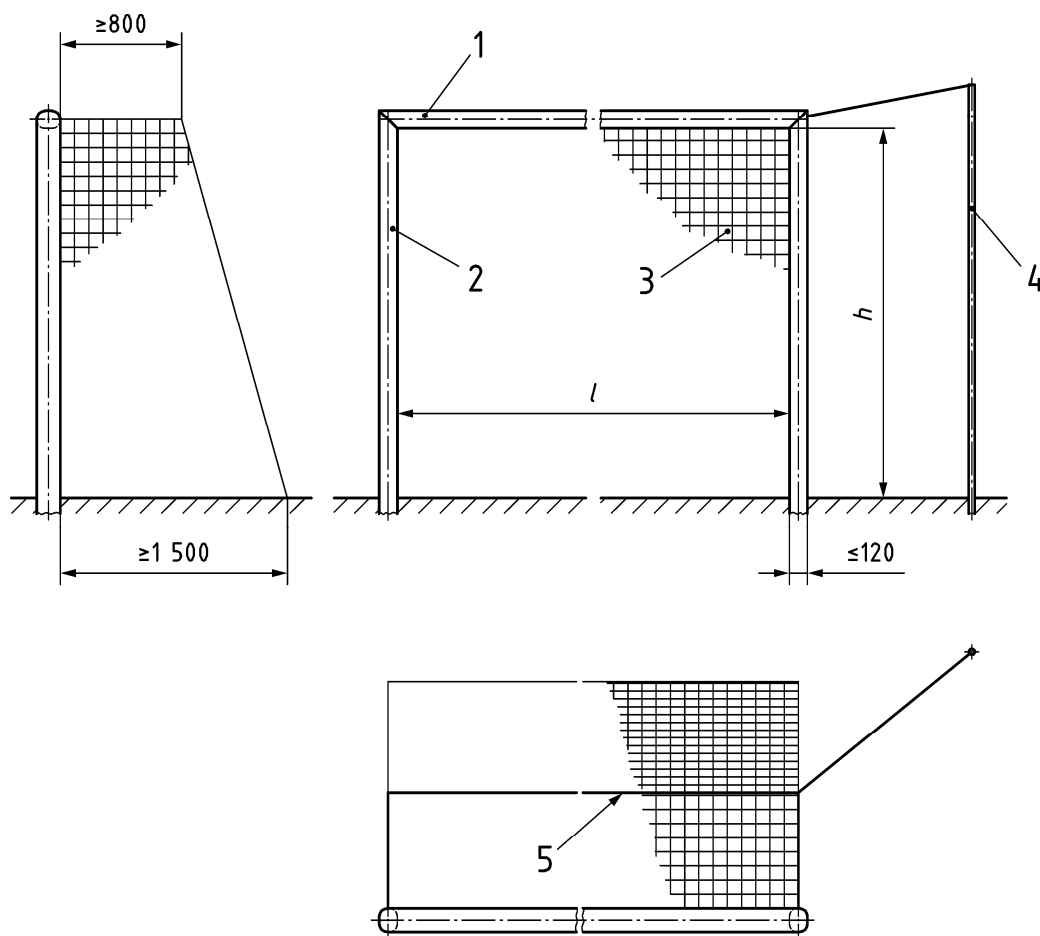
Dimensions in metres

Type	Size <i>l × h</i>	Description
1	7,32 × 2,44 5,00 × 2,00	Football goal with sockets net supporting pole with sockets
2	7,32 × 2,44 5,00 × 2,00	Football goal with net supports and ground sockets
3	7,32 × 2,44 5,00 × 2,00	Freestanding football goal with ground fixings
4	7,32 × 2,44 5,00 × 2,00	Freestanding football goal with counterweight

#### 3.2 Dimensions

Football goals shall comply with the dimensions shown in Table 2 and Figures 1 to 4.

Dimensions in millimetres

**Key**

- 1 crossbar
- 2 upright
- 3 net
- 4 net supporting pole for net head line (example)
- 5 net head line

NOTE Referring to key 4 "pole for net head line" requirements to the poles and its position depend on national regulation of free space for safety and to football federation.

**Figure 1 — Football goal Type 1**

Table 2 — Dimensions

Dimensions in millimetres

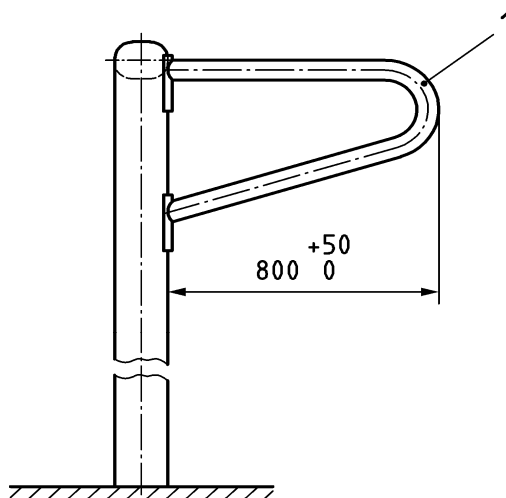
Size code	$l$	$h$
732 × 244	7 320 ± 8	2 440 ± 8
500 × 200	5 000 ± 8	2 000 ± 8

For an example for foundation see Annex A.

One football goal Type 1 consists of:

- the goal frame (2 uprights and 1 crossbar) including net fixings;
- the ground sockets;
- the net with net head line including means of contact with the ground;
- the poles with ground sockets.

Dimensions in millimetres

**Key**

1 net supports

NOTE see 4.6

Figure 2 — Football goal Type 2

Other dimensions and specifications as Type 1.

One football goal Type 2 consists of:

- the goal frame (2 uprights and 1 crossbar) including net fixings and net supports;
- the ground sockets;
- the net with net head line including means of contact with the ground.