

SLOVENSKI STANDARD

SIST EN 4165-013:2017

01-januar-2017

Nadomešča:

SIST EN 4165-013:2008

Aeronavtika - Konektorji, električni, pravokotni, modularni - Stalna delovna temperatura 175 °C - 013. del: Kabelske objemke z 2 ali 4 moduli za konektorje, serija 2 in serija 3 - Standard za proizvod

Aerospace series - Connectors, electrical, rectangular, modular - Operating temperature 175 °C continuous - Part 013: Cable clamp 2 and 4 modules for connectors, series 2 and 3 - Product standard

iTeh STANDARD PREVIEW

(standards.iteh.ai)

Luft- und Raumfahrt - Elektrischer Rechtecksteckverbinder in modularer Bauweise - Betriebstemperatur 175 °C konstant - Teil 013: Gehäuse für Zugentlastung für Steckverbinder mit 2 und 4 Modulen, Serie 2 und Serie 3 - Produktnorm

<https://standards.iteh.ai/catalog/standards/sist/4d109f29-8e43-481b-b454-4f144081d575/sist-en-4165-013-2017>

Série aérospatiale - Connecteurs électriques rectangulaires modulaires - Température d'utilisation 175 °C continu - Partie 013: Serre-câbles 2 et 4 modules pour connecteurs, série 2 et série 3 - Norme de produit

Ta slovenski standard je istoveten z: EN 4165-013:2016

ICS:

31.220.10	Vtiči in vtičnice, konektorji	Plug-and-socket devices. Connectors
49.060	Letalska in vesoljska električna oprema in sistemi	Aerospace electric equipment and systems

SIST EN 4165-013:2017

en,fr,de

iTeh STANDARD PREVIEW
(standards.iteh.ai)

[SIST EN 4165-013:2017](#)

<https://standards.iteh.ai/catalog/standards/sist/4d109f29-8e43-481b-b454-4f144081d575/sist-en-4165-013-2017>

EUROPEAN STANDARD

EN 4165-013

NORME EUROPÉENNE

EUROPÄISCHE NORM

November 2016

ICS 49.060

Supersedes EN 4165-013:2005

English Version

Aerospace series - Connectors, electrical, rectangular,
modular - Operating temperature 175 °C continuous - Part
013: Cable clamp 2 and 4 modules for connectors, series 2
and series 3 - Product standard

Série aérospatiale - Connecteurs électriques
rectangulaires modulaires - Température d'utilisation
175 °C continu - Partie 013 : Serre-câbles 2 et 4
modules pour connecteurs, série 2 et série 3 - Norme
de produit

Luft- und Raumfahrt - Elektrischer
Rechtecksteckverbinder in modularer Bauweise,
Betriebstemperatur 175 °C konstant - Teil 013:
Gehäuse mit Zugentlastung für Steckverbinder mit 2
und 4 Modulen, Serie 2 und Serie 3 - Produktnorm

This European Standard was approved by CEN on 29 November 2014.

CEN members are bound to comply with the CEN/CENELEC Internal Regulations which stipulate the conditions for giving this European Standard the status of a national standard without any alteration. Up-to-date lists and bibliographical references concerning such national standards may be obtained on application to the CEN-CENELEC Management Centre or to any CEN member.

This European Standard exists in three official versions (English, French, German). A version in any other language made by translation under the responsibility of a CEN member into its own language and notified to the CEN-CENELEC Management Centre has the same status as the official versions.

CEN members are the national standards bodies of Austria, Belgium, Bulgaria, Croatia, Cyprus, Czech Republic, Denmark, Estonia, Finland, Former Yugoslav Republic of Macedonia, France, Germany, Greece, Hungary, Iceland, Ireland, Italy, Latvia, Lithuania, Luxembourg, Malta, Netherlands, Norway, Poland, Portugal, Romania, Slovakia, Slovenia, Spain, Sweden, Switzerland, Turkey and United Kingdom.



EUROPEAN COMMITTEE FOR STANDARDIZATION
COMITÉ EUROPÉEN DE NORMALISATION
EUROPÄISCHES KOMITEE FÜR NORMUNG

CEN-CENELEC Management Centre: Avenue Marnix 17, B-1000 Brussels

Contents		Page
European foreword		3
1	Scope	4
2	Normative references	4
3	Terms and definitions	4
4	Required characteristics	4
5	Cable clamp	5
6	Designation	8
7	Marking	8
8	Technical specification	8

iTeh STANDARD PREVIEW
(standards.iteh.ai)

[SIST EN 4165-013:2017](https://standards.iteh.ai/catalog/standards/sist/4d109f29-8e43-481b-b454-4f144081d575/sist-en-4165-013-2017)

<https://standards.iteh.ai/catalog/standards/sist/4d109f29-8e43-481b-b454-4f144081d575/sist-en-4165-013-2017>

European foreword

This document (EN 4165-013:2016) has been prepared by the Aerospace and Defence Industries Association of Europe - Standardization (ASD-STAN).

After enquiries and votes carried out in accordance with the rules of this Association, this Standard has received the approval of the National Associations and the Official Services of the member countries of ASD, prior to its presentation to CEN.

This European Standard shall be given the status of a national standard, either by publication of an identical text or by endorsement, at the latest by May 2017, and conflicting national standards shall be withdrawn at the latest by May 2017.

Attention is drawn to the possibility that some of the elements of this document may be the subject of patent rights. CEN [and/or CENELEC] shall not be held responsible for identifying any or all such patent rights.

This document supersedes EN 4165-013:2005.

According to the CEN-CENELEC Internal Regulations, the national standards organizations of the following countries are bound to implement this European Standard: Austria, Belgium, Bulgaria, Croatia, Cyprus, Czech Republic, Denmark, Estonia, Finland, Former Yugoslav Republic of Macedonia, France, Germany, Greece, Hungary, Iceland, Ireland, Italy, Latvia, Lithuania, Luxembourg, Malta, Netherlands, Norway, Poland, Portugal, Romania, Slovakia, Slovenia, Spain, Sweden, Switzerland, Turkey and the United Kingdom.

[SIST EN 4165-013:2017](https://standards.iteh.ai/catalog/standards/sist/4d109f29-8e43-481b-b454-4f144081d575/sist-en-4165-013-2017)

<https://standards.iteh.ai/catalog/standards/sist/4d109f29-8e43-481b-b454-4f144081d575/sist-en-4165-013-2017>

EN 4165-013:2016 (E)**1 Scope**

This European Standard defines cable clamp for 2 and 4 module connectors, series 2 and series 3 used in the family of rectangular electrical connectors.

2 Normative references

The following documents, in whole or in part, are normatively referenced in this document and are indispensable for its application. For dated references, only the edition cited applies. For undated references, the latest edition of the referenced document (including any amendments) applies.

EN 2424, *Aerospace series — Marking of aerospace products*

EN 4165-001, *Aerospace series — Connectors, electrical, rectangular, modular — Operating temperature 175 °C continuous — Part 001: Technical specification*

EN 4165-002, *Aerospace series — Connector, electrical, rectangular, modular — Operating temperature 175 °C continuous — Part 002: Specification of performance and contact arrangements*

3 Terms and definitions

For the purposes of this standard, the terms and definitions given in EN 4165-001 apply.

4 Required characteristics

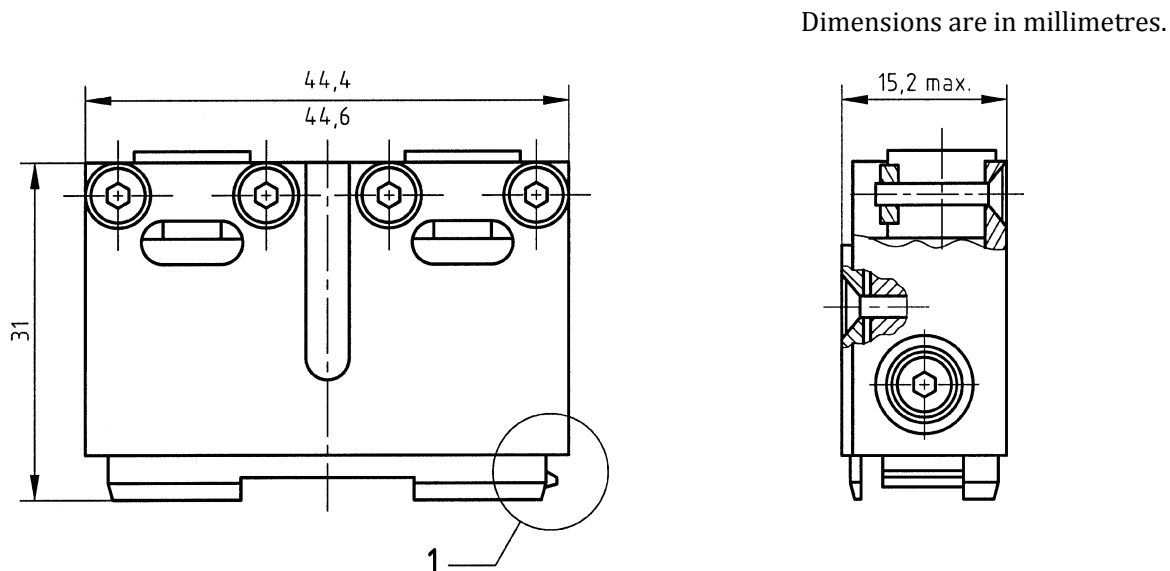
See Figure 1 and Figure 3 for 2 modules; Figure 2 and Figure 4 for 4 modules.

ITh STANDARD PREVIEW
(standards.iteh.ai)
<https://standards.iteh.ai/catalog/standards/sist/4d109f29-8e43-481b-b454-4f144081d575/sist-en-4165-013-2017>

5 Cable clamp

5.1 For 2 modules classes W and F

See Figure 1.



Key

1 see Figure 5

iTeh STANDARD PREVIEW
(standards.iteh.ai)

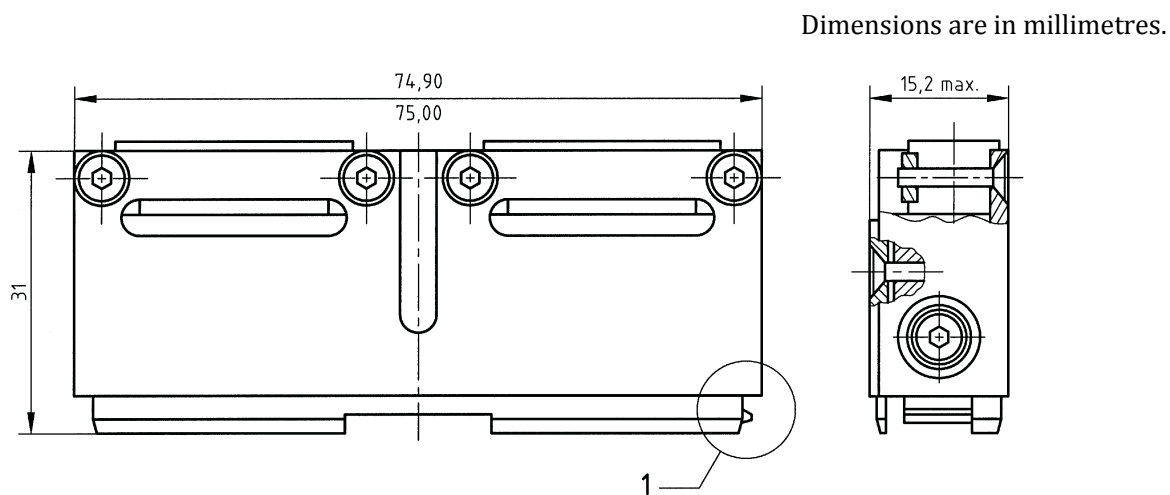
SIST EN 4165-013:2017

Figure 1

<https://standards.iteh.ai/catalog/standards/sist/4d109f29-8e43-481b-b454-421188fd575/sist-en-4165-013-2017>

5.2 For 4 modules classes W and F

See Figure 2.



Key

1 See Figure 5

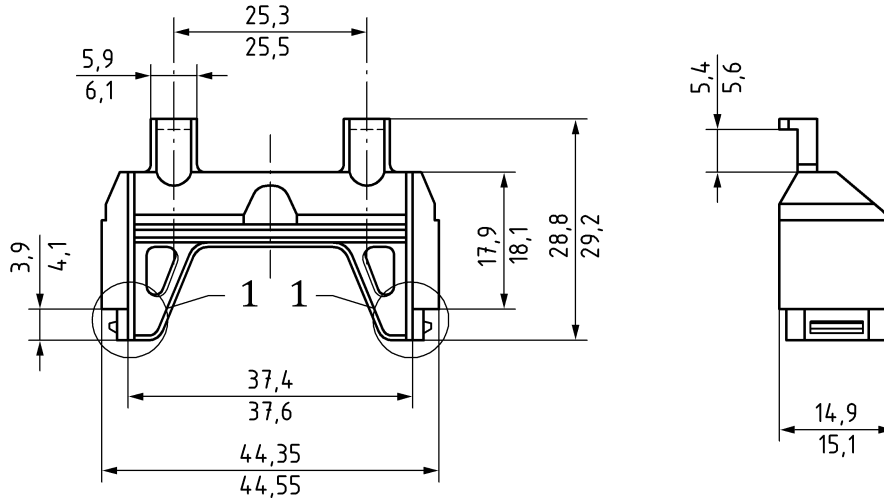
Figure 2

EN 4165-013:2016 (E)

5.3 For 2 modules class C

See Figure 3.

Dimensions are in millimetres.



Key

1 See Figure 6.

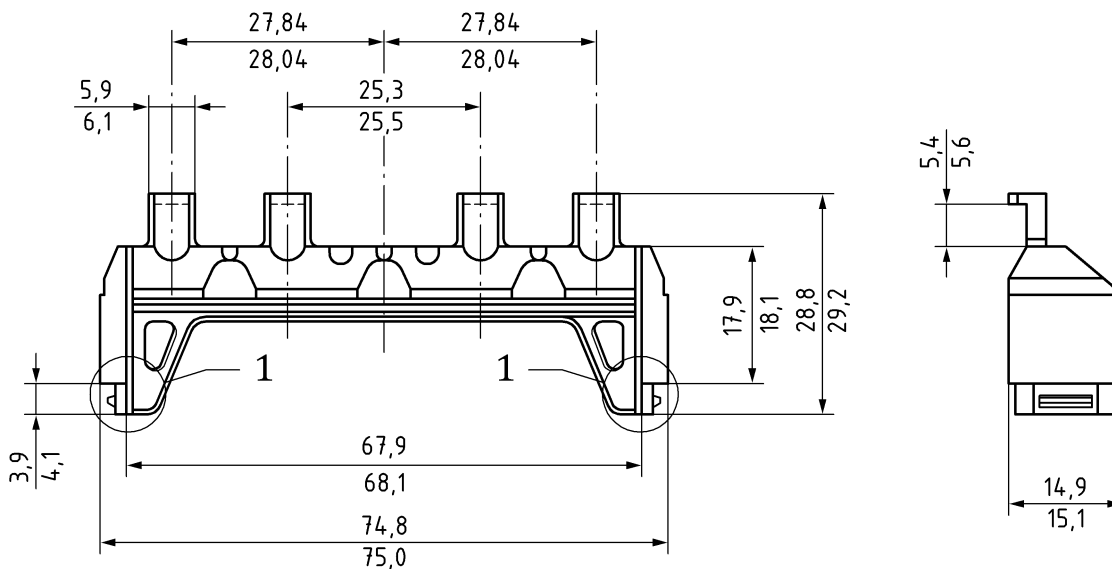
iTeh STANDARD PREVIEW
(standards.iteh.ai)
Figure 3

5.4 For 4 modules class C

See Figure 4.

SIST EN 4165-013:2017
<https://standards.iteh.ai/catalog/standards/sist/4d109f29-8e43-481b-b454-4f144081d575/sist-en-4165-013-2017>

Dimensions are in millimetres.



Key

1 See Figure 6

Figure 4

5.5 Cable clamp class

See Table 1.

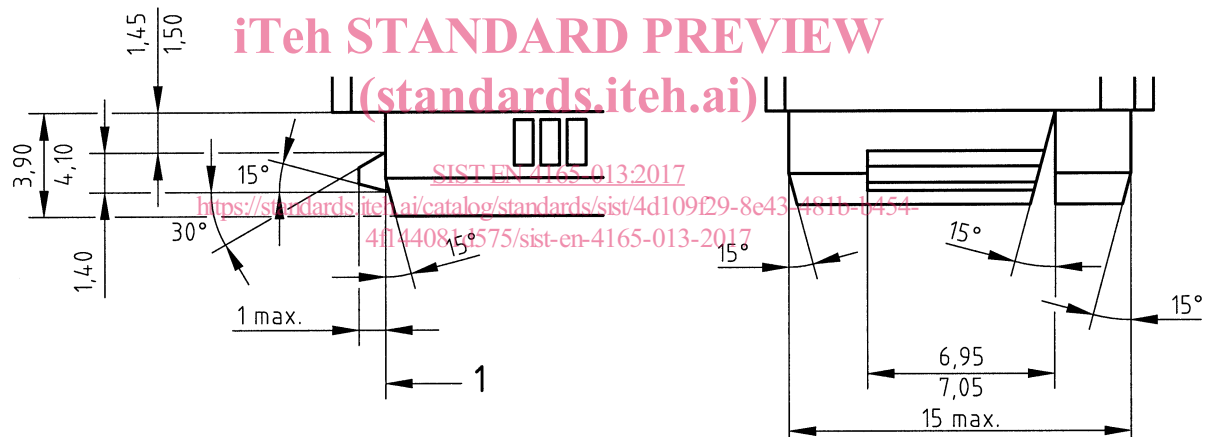
Table 1

Class	Description
W	Cable clamp with housing (shell) olive drab cadmium plated, aluminium alloy, 500 hours resistance to salt mist, maximum operating temperature 175 °C continuous
F	Cable clamp with housing (shell) black nickel plated, aluminium alloy, 96 hours resistance to salt mist, maximum operating temperature 175 °C continuous
C	Monobloc cable clamp. composite material, maximum operating temperature 175 °C continuous

5.6 Intermateability for series 2 and series 3

See Figure 5.

Dimensions are in millimetres.



Key

- 1 4 modules – 70,9 max.
- 2 modules – 40,4 max.

Figure 5