
Preskusi mehanskih in fizikalnih lastnosti agregatov - 11. del: Določevanje stisljivosti in omejene tlačne trdnosti lahkih agregatov

Tests for mechanical and physical properties of aggregates - Part 11: Determination of compressibility and confined compressive strength of lightweight aggregates

Prüfverfahren für mechanische und physikalische Eigenschaften von Gesteinskörnungen - Teil 11: Bestimmung der Verdichtbarkeit und Druckfestigkeit bei behinderter Querdehnung von leichten Gesteinskörnungen

Essais pour déterminer les caractéristiques mécaniques et physiques des granulats - Partie 11: Détermination de la compressibilité et de la résistance à la compression triaxiale des granulats légers

Ta slovenski standard je istoveten z: EN 1097-11:2013

ICS:

91.100.15 Mineralni materiali in izdelki Mineral materials and products

SIST EN 1097-11:2013**en,fr,de**

iTeh STANDARD PREVIEW
(standards.iteh.ai)

SIST EN 1097-11:2013

<https://standards.iteh.ai/catalog/standards/sist/0472e69d-60aa-4d53-adc9-fff29c61703b/sist-en-1097-11-2013>

EUROPEAN STANDARD
NORME EUROPÉENNE
EUROPÄISCHE NORM

EN 1097-11

July 2013

ICS 91.100.15

English Version

**Tests for mechanical and physical properties of aggregates -
Part 11: Determination of compressibility and confined
compressive strength of lightweight aggregates**

Essais pour déterminer les caractéristiques mécaniques et
physiques des granulats - Partie 11: Détermination de la
compressibilité et de la résistance à la compression
triaxiale des granulats légers

Prüfverfahren für mechanische und physikalische
Eigenschaften von Gesteinskörnungen - Teil 11:
Bestimmung der Verdichtbarkeit und Druckfestigkeit bei
behinderter Querdehnung von leichten Gesteinskörnungen

This European Standard was approved by CEN on 14 June 2013.

CEN members are bound to comply with the CEN/CENELEC Internal Regulations which stipulate the conditions for giving this European Standard the status of a national standard without any alteration. Up-to-date lists and bibliographical references concerning such national standards may be obtained on application to the CEN-CENELEC Management Centre or to any CEN member.

This European Standard exists in three official versions (English, French, German). A version in any other language made by translation under the responsibility of a CEN member into its own language and notified to the CEN-CENELEC Management Centre has the same status as the official versions.

CEN members are the national standards bodies of Austria, Belgium, Bulgaria, Croatia, Cyprus, Czech Republic, Denmark, Estonia, Finland, Former Yugoslav Republic of Macedonia, France, Germany, Greece, Hungary, Iceland, Ireland, Italy, Latvia, Lithuania, Luxembourg, Malta, Netherlands, Norway, Poland, Portugal, Romania, Slovakia, Slovenia, Spain, Sweden, Switzerland, Turkey and United Kingdom.



EUROPEAN COMMITTEE FOR STANDARDIZATION
COMITÉ EUROPÉEN DE NORMALISATION
EUROPÄISCHES KOMITEE FÜR NORMUNG

Management Centre: Avenue Marnix 17, B-1000 Brussels

Contents

Page

Foreword.....	3
1 Scope	4
2 Normative references	4
3 Terms and definitions	4
4 Principle.....	4
5 Apparatus	4
6 Preparation of test specimens	6
7 Procedure	6
7.1 Measurement of height h_0	6
7.2 Filling of the container	6
7.3 Compressibility.....	6
7.4 Load and deformation measurements	7
8 Calculation and expression of results.....	7
8.1 Bulk density.....	7
8.2 Compressibility.....	8
8.3 Confined compressive stress–deformation curve.....	8
8.4 Confined compressive strength.....	9
9 Test report	10
9.1 Required data	10
9.2 Optional data	11
Annex A (informative) Precision	12
Bibliography.....	13

Foreword

This document (EN 1097-11:2013) has been prepared by Technical Committee CEN/TC 154 "Aggregates", the secretariat of which is held by BSI.

This European Standard shall be given the status of a national standard, either by publication of an identical text or by endorsement, at the latest by January 2014, and conflicting national standards shall be withdrawn at the latest by January 2014.

Attention is drawn to the possibility that some of the elements of this document may be the subject of patent rights. CEN [and/or CENELEC] shall not be held responsible for identifying any or all such patent rights.

According to the CEN-CENELEC Internal Regulations, the national standards organisations of the following countries are bound to implement this European Standard: Austria, Belgium, Bulgaria, Croatia, Cyprus, Czech Republic, Denmark, Estonia, Finland, Former Yugoslav Republic of Macedonia, France, Germany, Greece, Hungary, Iceland, Ireland, Italy, Latvia, Lithuania, Luxembourg, Malta, Netherlands, Norway, Poland, Portugal, Romania, Slovakia, Slovenia, Spain, Sweden, Switzerland, Turkey and the United Kingdom.

iTeh STANDARD PREVIEW (standards.iteh.ai)

SIST EN 1097-11:2013

<https://standards.iteh.ai/catalog/standards/sist/0472e69d-60aa-4d53-adc9-fff29c61703b/sist-en-1097-11-2013>

EN 1097-11:2013 (E)**1 Scope**

This European Standard specifies the reference method used for type testing, and in case of dispute, for determining the compressibility and confined compressive strength of lightweight aggregates (LWA). For other purposes, in particular factory production control, other methods may be used provided that an appropriate working relationship with the reference method has been established.

The test is applicable to LWA passing the 32 mm sieve.

2 Normative references

The following documents, in whole or in part, are normatively referenced in this document and are indispensable for its application. For dated references, only the edition cited applies. For undated references, the latest edition of the referenced document (including any amendments) applies.

EN 932-2, *Tests for general properties of aggregates — Part 2: Methods for reducing laboratory samples*

EN 932-5, *Tests for general properties of aggregates — Part 5: Common equipment and calibration*

EN 1097-5, *Tests for mechanical and physical properties of aggregates — Part 5: Determination of the water content by drying in a ventilated oven*

prEN 13055:2012, *Lightweight aggregates for concrete, mortar, grout, bituminous mixtures, surface treatments and for unbound and bound applications*

3 Terms and definitions

For the purpose of this document, the terms and definitions given in prEN 13055:2012 and the following apply.

3.1**bulk density**

mass of loose filled or compacted aggregates divided by the part of the volume of the container that they occupy

Note 1 to entry: The measurement of this bulk density is different from the one defined in EN 1097-3.

3.2**test specimen**

sample used in a single determination when a test method requires more than one determination of a property

4 Principle

First, a test specimen is placed in a steel container and compacted by vibration for the purpose of determining the compressibility and bulk densities before and after vibration. Second, the steel container filled with this test specimen is subjected to a compression test with a constant loading rate until a given percentage of deformation is reached. During this second step, the load and displacement are continuously recorded in order to determine the confined compressive stress–deformation curve and to calculate the confined compressive strength.

5 Apparatus

Unless otherwise stated, all apparatus shall conform to the general requirements of EN 932-5.

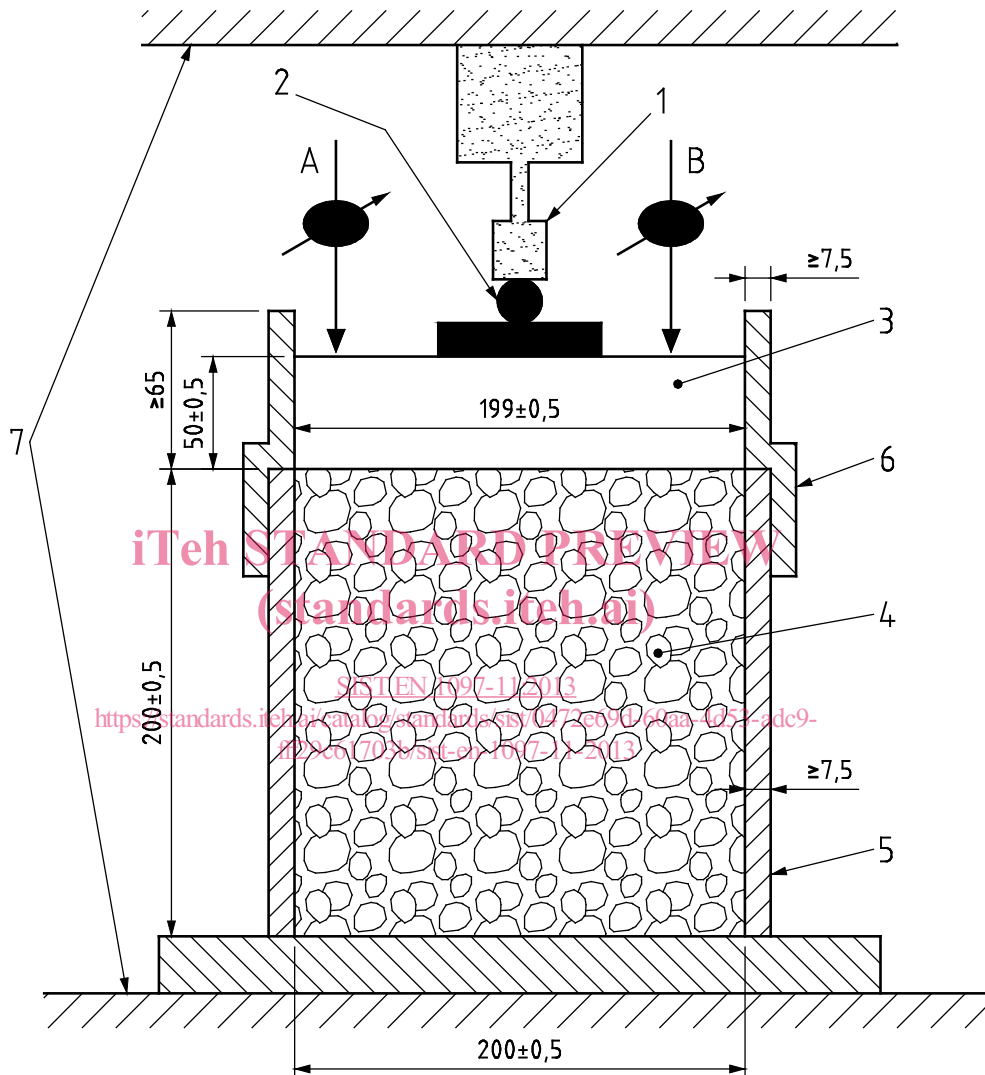
5.1 Ventilated oven, thermostatically controlled to maintain a temperature of (110 ± 5) °C.

5.2 Polyethylene bags, of suitable sizes.

5.3 Balance, of adequate capacity with an actual scale interval of $\pm 0,1$ g.

5.4 Cylindrical test container made of stainless steel, with an internal diameter and height of $(200 \pm 0,5)$ mm. Minimum thickness of the cylinder shall be 7,5 mm (see Figure 1). The inside of container shall be free of protrusions resulting for example from welding.

Dimensions in millimetres



Key

1	load cell	5	cylindrical test container
2	spherical seating	6	removable extension
3	load distribution steel plate	7	hydraulic press
4	test specimen	A, B	dial gauges

Figure 1 — Example of test apparatus

5.5 Vibrating table, capable of vibrating the steel container vertically with a frequency of (50 ± 2) Hz and an amplitude $(0,50 \pm 0,10)$ mm.

The steel container should be tightened to the vibration table if a free steel container causes unstable amplitude.

EN 1097-11:2013 (E)

5.6 Removable extension, that tightly fits on top of the cylindrical container, acting as a guide for the load distribution steel plate (5.7). Minimum height of the extension shall be 65 mm (see Figure 1).

5.7 Load distribution steel plate, with a mass of $(12,1 \pm 0,2)$ kg, diameter $(199 \pm 0,5)$ mm and thickness $(50 \pm 0,5)$ mm (see Figure 1).

The steel plate should have a diameter at least 0,5 mm smaller than the container inside diameter.

5.8 Spherical seating or any other appropriate device to ensure an even distribution of the load.

5.9 Dial gauges, with an actual scale interval of $\pm 0,02$ mm.

5.10 Slide calliper, with an actual scale interval of $\pm 0,1$ mm.

5.11 Hydraulic press, or similar device capable to apply a continuous increase in load of $(0,060 \pm 0,002)$ kN/s.

5.12 A monitoring system, such as a computer with an acquisition unit, capable of monitoring the load applied by the hydraulic press and recording both the load and the displacements at a minimum frequency of 10 Hz.

6 Preparation of test specimens

Prepare three test specimens of volume 8 l each according to EN 932-2.

Dry the test specimens at (110 ± 5) °C to constant mass according to EN 1097-5. Allow to cool to ambient temperature.

In case moist materials are tested, the moisture content shall be recorded.

7 Procedure

7.1 Measurement of height h_0

Insert the steel plate into the empty container so that it lies on the bottom. Tightly fit the extension on top of the container. Measure the distance between the top of the extension and the steel plate, h_0 , using the slide calliper (see Figure 2). Remove the extension and steel plate from the container.

NOTE Height h_0 does not need to be determined each time a test is performed.

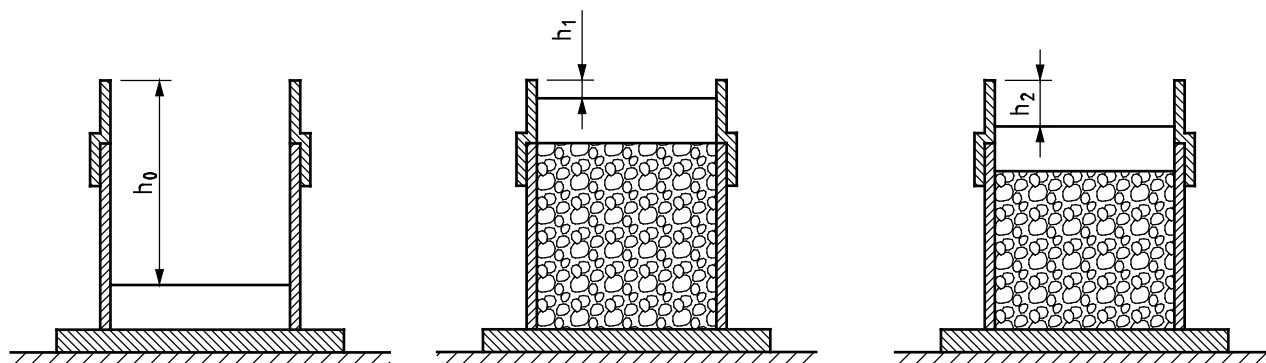
7.2 Filling of the container

Weigh and record the mass of the container, M_0 . Place the first test specimen in a plastic bag. Then place the opening of the bag in the bottom of the test container. Slowly lift the bag and fill the container with the test specimen. Level the surface with a straight edge taking care not to compact it. Weigh the container with the test specimen, M_1 . Calculate the mass of the test specimen, $M_2 = M_1 - M_0$.

7.3 Compressibility

Place the filled container on the vibrating table and tighten it to the table. Tightly fit the extension on top of the container. Place the load distribution steel plate on the surface of the test specimen and measure the distance between the top of the extension and the steel plate, h_1 , using the slide calliper (see Figure 2). Vibrate the test specimen for (180 ± 5) s and measure the distance between the top of the extension and the steel plate, h_2 , using the slide calliper.

Dimensions in millimetres

**Key**

h_0 distance between the top of the extension and the steel plate at the bottom of the empty container

h_1 distance before vibration between the top of the extension and the steel plate

h_2 distance after vibration between the top of the extension and the steel plate

Figure 2 — Height measurements to be carried out before and after vibration

7.4 Load and deformation measurements

Place the filled container with its extension and steel plate inside the press and zero the dial gauges. Apply the load, F , continuously at a rate of $(0,060 \pm 0,002)$ kN/s. Increase the load until the displacement, δ , reaches at least 10 % of the height after vibration, $h_0 - h_2$. Record the displacement continuously as the mean value of a minimum of two gauges and record the load, F .

Repeat 7.2 to 7.4 with the remaining test specimens.

8 Calculation and expression of results

8.1 Bulk density

For each test specimen, calculate the bulk densities before vibration, ρ_0 , and after vibration, ρ_1 , in accordance with the following formulae:

$$\rho_0 = \frac{M_2}{(h_0 - h_1) \cdot A} \cdot 10^6 \quad (1)$$

and

$$\rho_1 = \frac{M_2}{(h_0 - h_2) \cdot A} \cdot 10^6 \quad (2)$$

where

M_2 is the mass of the test specimen, in kilograms;

A is the area of the load distributed steel plate, in square millimetres;

h_0 is the distance between the top of the extension and the steel plate at the bottom of the empty container, in millimetres;