

# SLOVENSKI STANDARD

## SIST EN 3682-006:2014

01-februar-2014

Nadomešča:

SIST EN 3682-006:2009

---

**Aeronavtika - Konektorji, vtič in vtičnica, električni, pravokotni, zamenljivi tip, s stojalom in ploščo, s stalno delovno temperaturo do 150 °C - 006. del: Vtičnica, velikost 3 - Standard za izdelek**

Aerospace series - Connectors, plug and receptacle, electrical, rectangular, interchangeable insert type, rack to panel, operating temperature 150 °C continuous - Part 006: Size 3 receptacle - Product standard

Luft- und Raumfahrt - Elektrischer Rechtecksteckverbinder, freie und feste Bauform, auswechselbare Isolierkörper, Gestell-Einschubsteckverbinder, Betriebstemperatur 150 °C konstant - Teil 006: Fester Steckverbinder Größe 3 - Produktnorm

Série aérospatiale - Connecteurs électriques rectangulaires rackables, fiches et embases, à inserts interchangeables, température d'utilisation 150 °C continu - Partie 006: Boîtier femelle taille 3 - Norme de produit

**Ta slovenski standard je istoveten z: EN 3682-006:2013**

**ICS:**

49.060	Letalska in vesoljska električna oprema in sistemi	Aerospace electric equipment and systems
--------	--	--

**SIST EN 3682-006:2014**

**en**

**iTeh STANDARD PREVIEW**  
**(standards.iteh.ai)**

[SIST EN 3682-006:2014](https://standards.iteh.ai/catalog/standards/sist/65ec340a-7dc4-4cb1-bd75-531fef489a4f/sist-en-3682-006-2014)

<https://standards.iteh.ai/catalog/standards/sist/65ec340a-7dc4-4cb1-bd75-531fef489a4f/sist-en-3682-006-2014>

EUROPEAN STANDARD

EN 3682-006

NORME EUROPÉENNE

EUROPÄISCHE NORM

January 2013

ICS 49.060

Supersedes EN 3682-006:2006

English Version

Aerospace series - Connectors, plug and receptacle, electrical,  
rectangular, interchangeable insert type, rack to panel, operating  
temperature 150 °C continuous - Part 006: Size 3 receptacle -  
Product standard

Série aérospatiale - Connecteurs électriques rectangulaires  
rackables, fiches et embases, à inserts interchangeables,  
température d'utilisation 150 °C continu - Partie 006: Boîtier  
femelle taille 3 - Norme de produit

Luft- und Raumfahrt - Elektrischer Rechtecksteckverbinder,  
freie und feste Bauform, auswechselbare Isolierkörper,  
Gestell-Einschubsteckverbinder, Betriebstemperatur 150  
°C konstant - Teil 006: Fester Steckverbinder Größe 3 -  
Produktnorm

This European Standard was approved by CEN on 27 October 2012.

CEN members are bound to comply with the CEN/CENELEC Internal Regulations which stipulate the conditions for giving this European Standard the status of a national standard without any alteration. Up-to-date lists and bibliographical references concerning such national standards may be obtained on application to the CEN-CENELEC Management Centre or to any CEN member.

This European Standard exists in three official versions (English, French, German). A version in any other language made by translation under the responsibility of a CEN member into its own language and notified to the CEN-CENELEC Management Centre has the same status as the official versions.

CEN members are the national standards bodies of Austria, Belgium, Bulgaria, Croatia, Cyprus, Czech Republic, Denmark, Estonia, Finland, Former Yugoslav Republic of Macedonia, France, Germany, Greece, Hungary, Iceland, Ireland, Italy, Latvia, Lithuania, Luxembourg, Malta, Netherlands, Norway, Poland, Portugal, Romania, Slovakia, Slovenia, Spain, Sweden, Switzerland, Turkey and United Kingdom.



EUROPEAN COMMITTEE FOR STANDARDIZATION  
COMITÉ EUROPÉEN DE NORMALISATION  
EUROPÄISCHES KOMITEE FÜR NORMUNG

Management Centre: Avenue Marnix 17, B-1000 Brussels

**Contents**

Page

Foreword.....	3
1 <b>Scope</b> .....	4
2 <b>Normative references</b> .....	4
3 <b>Terms and definitions</b> .....	4
4 <b>Required characteristics</b> .....	5
5 <b>Designation</b> .....	9
6 <b>Marking</b> .....	9
7 <b>Technical specification</b> .....	9

**iTeh STANDARD PREVIEW**  
**(standards.iteh.ai)**

[SIST EN 3682-006:2014](https://standards.iteh.ai/catalog/standards/sist/65ec340a-7dc4-4cb1-bd75-531fef489a4f/sist-en-3682-006-2014)

<https://standards.iteh.ai/catalog/standards/sist/65ec340a-7dc4-4cb1-bd75-531fef489a4f/sist-en-3682-006-2014>

## Foreword

This document (EN 3682-006:2013) has been prepared by the Aerospace and Defence Industries Association of Europe - Standardization (ASD-STAN).

After enquiries and votes carried out in accordance with the rules of this Association, this Standard has received the approval of the National Associations and the Official Services of the member countries of ASD, prior to its presentation to CEN.

This European Standard shall be given the status of a national standard, either by publication of an identical text or by endorsement, at the latest by July 2013, and conflicting national standards shall be withdrawn at the latest by July 2013.

Attention is drawn to the possibility that some of the elements of this document may be the subject of patent rights. CEN [and/or CENELEC] shall not be held responsible for identifying any or all such patent rights.

This document supersedes EN 3682-006:2006.

According to the CEN/CENELEC Internal Regulations, the national standards organisations of the following countries are bound to implement this European Standard: Austria, Belgium, Bulgaria, Croatia, Cyprus, Czech Republic, Denmark, Estonia, Finland, Former Yugoslav Republic of Macedonia, France, Germany, Greece, Hungary, Iceland, Ireland, Italy, Latvia, Lithuania, Luxembourg, Malta, Netherlands, Norway, Poland, Portugal, Romania, Slovakia, Slovenia, Spain, Sweden, Switzerland, Turkey and the United Kingdom.

[SIST EN 3682-006:2014](https://standards.iteh.ai/catalog/standards/sist/65ec340a-7dc4-4cb1-bd75-531fef489a4f/sist-en-3682-006-2014)

<https://standards.iteh.ai/catalog/standards/sist/65ec340a-7dc4-4cb1-bd75-531fef489a4f/sist-en-3682-006-2014>

**EN 3682-006:2013 (E)****1 Scope**

This European Standard defines the size 3 receptacle used in the family of rectangular electrical connectors for rack to panel, with interchangeable inserts. The plug corresponding to this receptacle is defined in EN 3682-007.

**2 Normative references**

The following documents, in whole or in part, are normatively referenced in this document and are indispensable for its application. For dated references, only the edition cited applies. For undated references, the latest edition of the referenced document (including any amendments) applies.

EN 3682-001, *Aerospace series — Connectors, plug and receptacle, electrical, rectangular, interchangeable insert type, rack to panel, operating temperature 150 °C continuous — Part 001: Technical specification*

EN 3682-002, *Aerospace series — Connectors, plug and receptacle, electrical, rectangular, interchangeable insert type, rack to panel, operating temperature 150 °C continuous — Part 002: Specification of performance and contact arrangements*

EN 3682-007, *Aerospace series — Connectors, plug and receptacle, electrical, rectangular, interchangeable insert type, rack to panel, operating temperature 150 °C continuous — Part 007: Size 3 plug — Product standard*

ISO 263, *ISO inch screw threads — General plan and selection for screws, bolts and nuts — Diameter range 0,06 to 6 in*

**ITeH STANDARD PREVIEW**  
**(standards.iteh.ai)**

**3 Terms and definitions**

[SIST EN 3682-006:2014](#)

[https://standards.iteh.ai/catalog/standards/sist/65ec340a-7dc4-4cb1-bd75-](https://standards.iteh.ai/catalog/standards/sist/65ec340a-7dc4-4cb1-bd75-531fe489a4f/sist-en-3682-006-2014)

[531fe489a4f/sist-en-3682-006-2014](#)

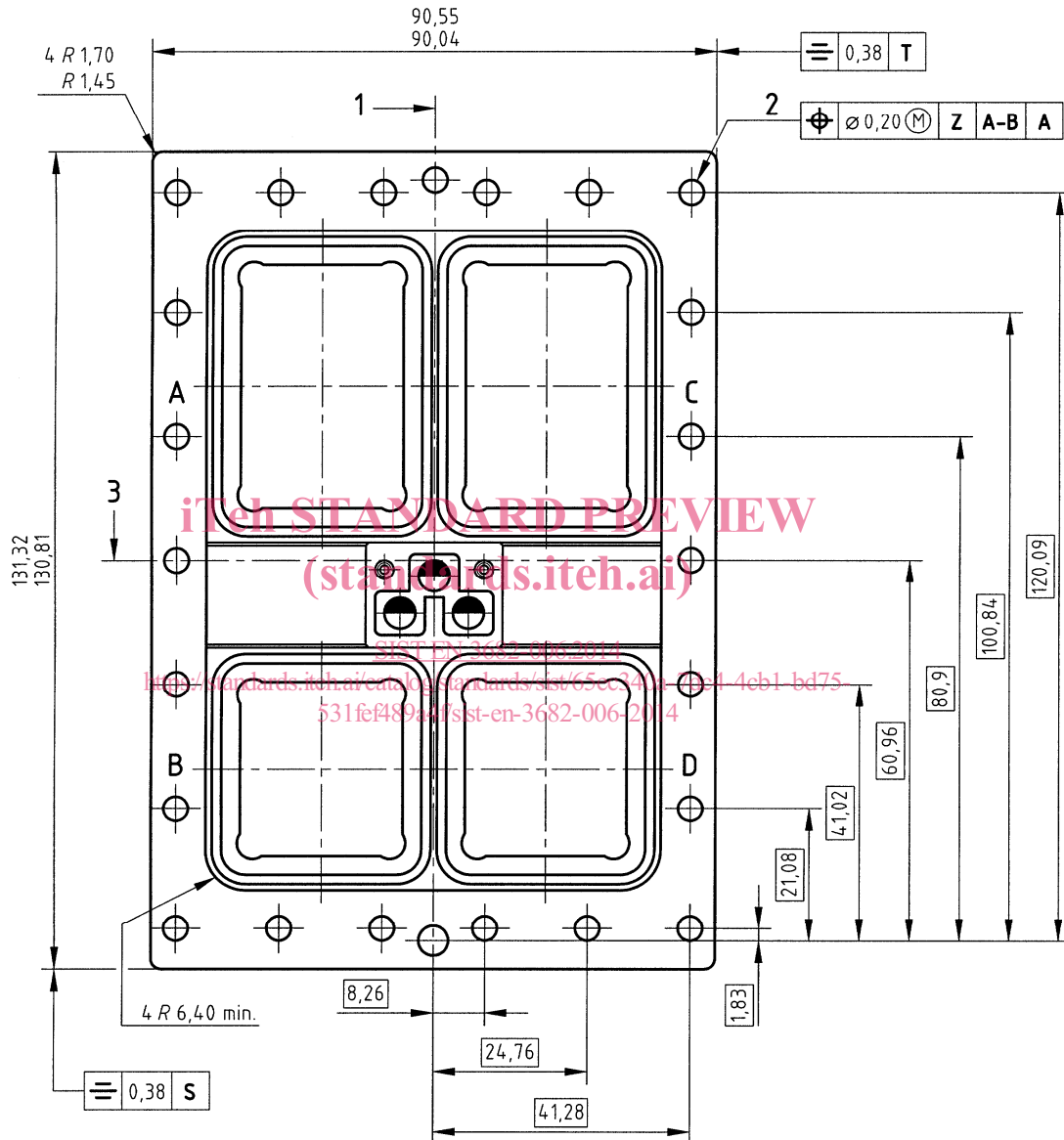
For the purposes of this document, the terms and definitions given in EN 3682-001 apply.

## 4 Required characteristics

### 4.1 Dimensions

See Figures 1 to 3.

Dimensions in millimetres.

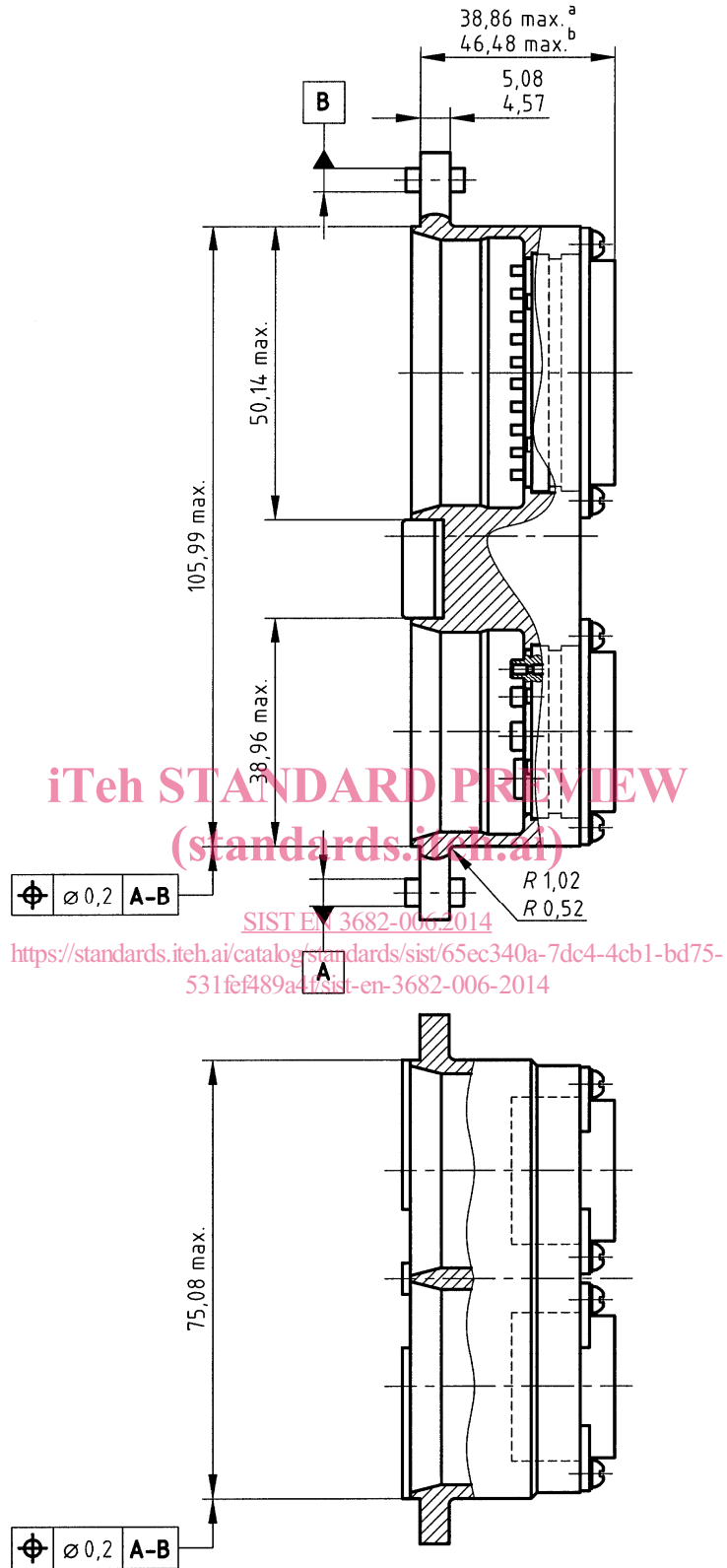


#### Key

- 1 axis of T see note
- 2 22 holes  $\varnothing 3,96$   
 $\varnothing 3,71$
- 3 axis of S see note

NOTE See EN 3682-001 Tables 2, 3 and 5 for S and T references.

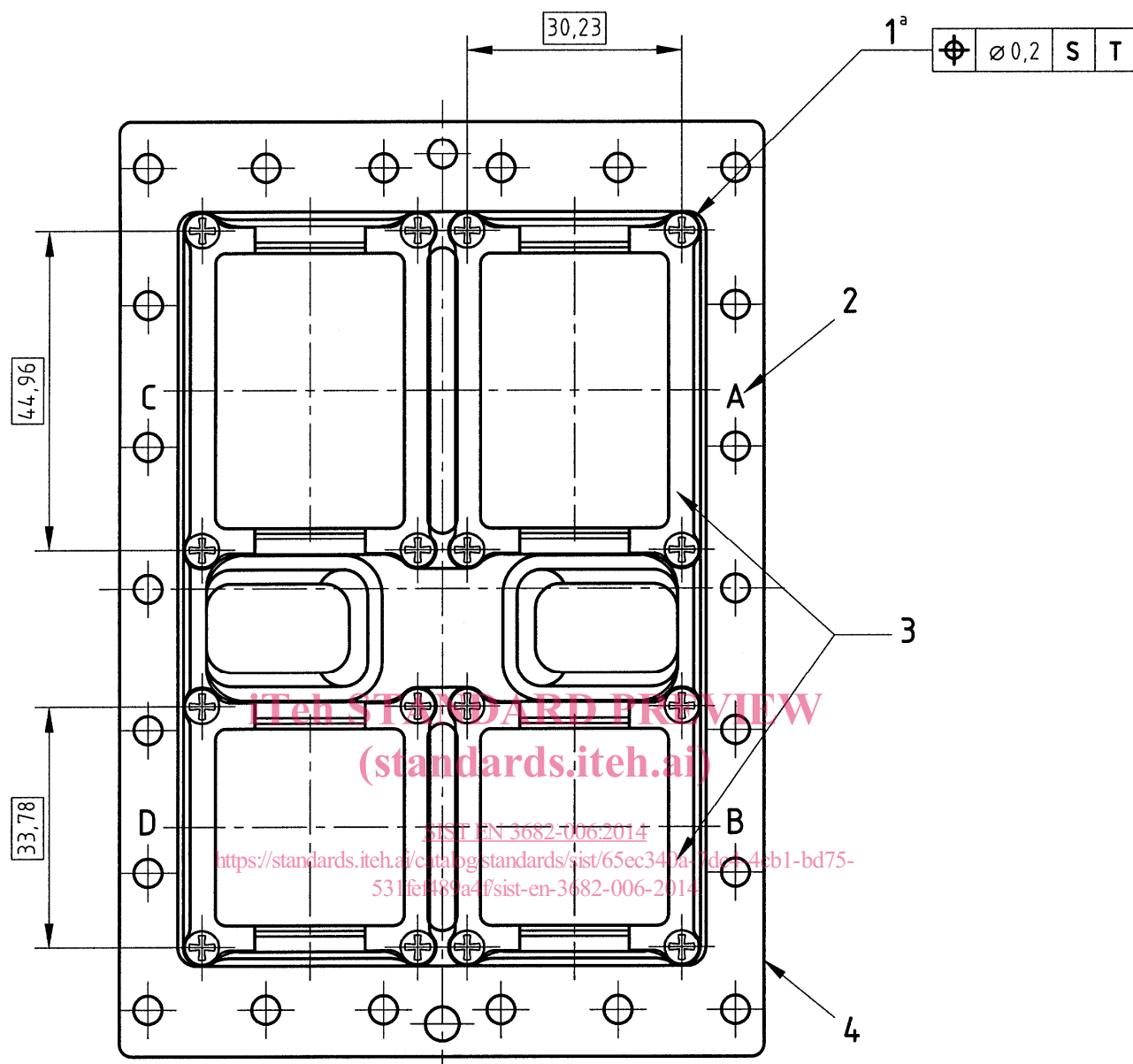
Figure 1 — Connector front mating face



- <sup>a</sup> For arrangements with size 22 contacts.
- <sup>b</sup> For arrangements without size 22 contacts.

Figure 2



**Key**

- 1 16 Philips screw 4-40 UNC 2A
- 2 cavities identification on the front and the rear of the flange
- 3 insert retention device (8 places)
- 4 marking of trademark of manufacture and part number on right or left of the flange

NOTE See EN 3682-001 Tables 2, 3 and 5 for S and T references.

<sup>a</sup> See ISO 263.

**Figure 3**