
**Carbonaceous materials for the
production of aluminium — Anodes,
cathodes blocks, sidewall blocks and
baked ramming pastes — Determination
of the thermal conductivity using a
comparative method**

iTeh STANDARD PREVIEW

*Produits carbonés utilisés pour la production de l'aluminium — Anodes,
cathodes blocs, blocs de façade et pâtes de brasquage cuites —
Détermination de la conductivité thermique à température ambiante par
une méthode comparative*

<https://standards.iteh.ai/catalog/standards/sist/cad1a14d-1b95-4e1d-bc75-27cefbdb7c39/iso-12987-2004>



PDF disclaimer

This PDF file may contain embedded typefaces. In accordance with Adobe's licensing policy, this file may be printed or viewed but shall not be edited unless the typefaces which are embedded are licensed to and installed on the computer performing the editing. In downloading this file, parties accept therein the responsibility of not infringing Adobe's licensing policy. The ISO Central Secretariat accepts no liability in this area.

Adobe is a trademark of Adobe Systems Incorporated.

Details of the software products used to create this PDF file can be found in the General Info relative to the file; the PDF-creation parameters were optimized for printing. Every care has been taken to ensure that the file is suitable for use by ISO member bodies. In the unlikely event that a problem relating to it is found, please inform the Central Secretariat at the address given below.

iTeh STANDARD PREVIEW
(standards.iteh.ai)

ISO 12987:2004

<https://standards.iteh.ai/catalog/standards/sist/cad1a14d-1b95-4e1d-bc75-27cefbdb7c39/iso-12987-2004>

© ISO 2004

All rights reserved. Unless otherwise specified, no part of this publication may be reproduced or utilized in any form or by any means, electronic or mechanical, including photocopying and microfilm, without permission in writing from either ISO at the address below or ISO's member body in the country of the requester.

ISO copyright office
Case postale 56 • CH-1211 Geneva 20
Tel. + 41 22 749 01 11
Fax + 41 22 749 09 47
E-mail copyright@iso.org
Web www.iso.org

Published in Switzerland

Contents

	Page
1 Scope	1
2 Terms and definitions	1
3 Reagents and materials	2
4 Apparatus	2
5 Sampling	2
6 Procedure	4
7 Calculation	4
8 Precision	4
9 Test report	5
Bibliography	6

iTeh STANDARD PREVIEW
(standards.iteh.ai)

ISO 12987:2004

<https://standards.iteh.ai/catalog/standards/sist/cad1a14d-1b95-4e1d-bc75-27cefdb7c39/iso-12987-2004>

Foreword

ISO (the International Organization for Standardization) is a worldwide federation of national standards bodies (ISO member bodies). The work of preparing International Standards is normally carried out through ISO technical committees. Each member body interested in a subject for which a technical committee has been established has the right to be represented on that committee. International organizations, governmental and non-governmental, in liaison with ISO, also take part in the work. ISO collaborates closely with the International Electrotechnical Commission (IEC) on all matters of electrotechnical standardization.

International Standards are drafted in accordance with the rules given in the ISO/IEC Directives, Part 2.

The main task of technical committees is to prepare International Standards. Draft International Standards adopted by the technical committees are circulated to the member bodies for voting. Publication as an International Standard requires approval by at least 75 % of the member bodies casting a vote.

Attention is drawn to the possibility that some of the elements of this document may be the subject of patent rights. ISO shall not be held responsible for identifying any or all such patent rights.

ISO 12987 was prepared by Technical Committee ISO/TC 47, *Chemistry*, Subcommittee SC 7, *Aluminium oxide, cryolite, aluminium fluoride, sodium fluoride, carbonaceous products for the aluminium industry*.

iTeh STANDARD PREVIEW
(standards.iteh.ai)

[ISO 12987:2004](https://standards.iteh.ai/catalog/standards/sist/cad1a14d-1b95-4e1d-bc75-27cefbdb7c39/iso-12987-2004)

<https://standards.iteh.ai/catalog/standards/sist/cad1a14d-1b95-4e1d-bc75-27cefbdb7c39/iso-12987-2004>

Introduction

Knowledge of the thermal conductivity of carbonaceous materials allows calculations of the heat transfer and losses in electrolysis cells.

iTeh STANDARD PREVIEW (standards.iteh.ai)

ISO 12987:2004

<https://standards.iteh.ai/catalog/standards/sist/cad1a14d-1b95-4e1d-bc75-27cefbdb7c39/iso-12987-2004>

iTeh STANDARD PREVIEW
(standards.iteh.ai)

ISO 12987:2004

<https://standards.iteh.ai/catalog/standards/sist/cad1a14d-1b95-4e1d-bc75-27cefbdb7c39/iso-12987-2004>

Carbonaceous materials for the production of aluminium — Anodes, cathodes blocks, sidewall blocks and baked ramming pastes — Determination of the thermal conductivity using a comparative method

1 Scope

This International Standard specifies a method for the determination of thermal conductivity of carbonaceous material in the temperature range of 20 °C to 60 °C. The typical range of thermal conductivity for these materials is 2 W/(K·m) to 100 W/(K·m).

This method can be used for other carbon materials, such as graphitized electrodes for other applications.

2 Terms and definitions

For the purposes of this document, the following terms and definitions apply.

iTeh STANDARD PREVIEW
(standards.iteh.ai)

2.1

thermal conductivity

ISO 12987:2004

λ

[https://standards.iteh.ai/catalog/standards/sist/cad1a14d-1b95-4e1d-bc75-](https://standards.iteh.ai/catalog/standards/sist/cad1a14d-1b95-4e1d-bc75-27cefbdb7c39/iso-12987-2004)

material property, expressed in W/(K·m), obtained by determining the heat flow $\frac{dQ}{dt}$ at a given temperature difference $\Delta\vartheta$ through a body with height h and cross-sectional area A as follows:

$$\lambda = \frac{dQ}{dt} \times \frac{1}{\Delta\vartheta} \times \frac{h}{A} \quad (1)$$

where

$\frac{dQ}{dt}$ is the heat flow, expressed in watts;

$\Delta\vartheta$ is the temperature difference, expressed in kelvins;

h is the height, expressed in metres, of the body;

A is the cross-sectional area, expressed in square metres

NOTE 1 For cylindrical test specimens:

$$A = \pi \times \frac{d^2}{4} \quad (2)$$

where d is the diameter of the test specimens, expressed in metres

NOTE 2 This temperature difference is compared to those obtained with reference specimens thereby allowing the determination of the thermal conductivity of the test specimen.

3 Reagents and materials

3.1 Contact agent, for testing, consisting of Vaseline, glycerol or contact paste capable of improving the contact between the heads and the specimen.

3.2 Calibration specimens, which have been calibrated by a recognized calibration authority such as the producer of the equipment or a national standards body.

Table 1 shows examples of reference materials for specimens to be calibrated by the producer of equipment or by national standards bodies. The thermal conductivity of these materials varies almost linearly with temperature over the range of 20 °C to 100 °C.

Table 1 — Examples of reference materials

Material	Thermal conductivity W/(K·m) at 20 °C
Flint glass	1,4
High alloy steel	14
Bronze	65
Brass	110
Aluminium 99,9 % pure	235

4 Apparatus

iTeh STANDARD PREVIEW
(standards.iteh.ai)

4.1 Typical measuring device, schematically shown in Figure 1 and consisting of the following:

4.1.1 Lower head, as heat sink cooled to 20 °C ± 0,1 °C

ISO 12987:2004
<https://standards.iteh.ai/catalog/standards/sist/cad1a14d-1b95-4e1d-bc75->

4.1.2 Thermostatically controlled device, capable of maintaining the water temperature at 20 °C ± 0,02 °C and a circulating rate of approximately 10 l/min.

4.1.3 Differential thermocouple.

4.1.4 Suitable voltmeter.

4.1.5 Upper head, as heat source, heated to at least 40 °C, preferentially 60 °C, and accurate to 0,1 °C.

4.1.6 Liquid thermostat, capable of maintaining the water temperature at 40 °C ± 0,02 °C, and a circulating rate of approximately 10 l/min, or electrical heating device maintaining the temperature of the upper head at 60 °C ± 0,1 °C.

4.1.7 Clamping device, applying a minimum pressure of about 5 MPa and a cardanic suspension.

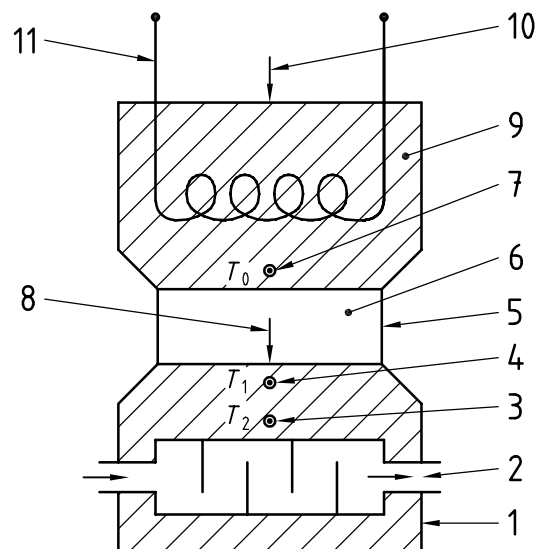
4.1.8 Insulating cylinder, to avoid heat loss.

4.2 Device for measuring dimensions, with error limit of ± 1 %, for example a vernier calliper as specified in ISO 6906 or a micrometer calliper as specified in ISO 3611.

4.3 Straight edge.

5 Sampling

Select test specimens in accordance with a suitable sampling scheme, for example using ISO 8007-1 or ISO 8007-2.

**Key**

- 1 lower head
 2 water flowing through the lower head at $20\text{ °C} \pm 0,1\text{ °C}$ and 10 l/min
 3 differential thermocouple element T_2
 4 differential thermocouple element T_1
 5 insulating cylinder
 6 test specimen
 7 differential thermocouple element T_0
 8 direction of heat flow
 9 upper head
 10 clamping pressure (p) = 200 N
 11 heating element

Figure 1 — A typical device to perform the test shown schematically

The diameter of the cylindrical test specimens shall be between 20 mm and 50 mm, the height shall be from 5 mm to 50 mm and the end surfaces shall be plane.

The accuracy of the method is affected by the geometry of the test specimens. For high thermal conductivity materials, thinner and/or longer test specimens yield better results.

For test specimens of 20 mm height, the diameters in Table 2 have been found appropriate.

The flatness of the end planes shall be better than $\pm 0,05$ mm, which can be checked by means of the straight edge (4.3). The test specimens shall be dried to constant mass.

Table 2 — Dimensions of test specimens

Typical range of thermal conductivity W/(K·m)	Test specimen material	Diameter ^a mm
Up to 10	Anodes Baked ramming paste	50
5 to 120	Cathodes	50 or 30
80 to 120	Graphite electrodes	20 to 30

^a Height of test specimens = 20 mm. The larger diameters are chosen for anodes, baked ramming paste and cathodes due to their coarser grain structure.