
**Footwear — Test methods for shanks —
Fatigue resistance**

*Chaussures — Méthodes d'essai pour cambrions — Résistance à la
fatigue*

iTeh STANDARD PREVIEW
(standards.iteh.ai)

[ISO 18895:2006](https://standards.iteh.ai/catalog/standards/sist/f27958a7-e73c-487c-8a50-bdc28fd302d/iso-18895-2006)

[https://standards.iteh.ai/catalog/standards/sist/f27958a7-e73c-487c-8a50-
bdc28fd302d/iso-18895-2006](https://standards.iteh.ai/catalog/standards/sist/f27958a7-e73c-487c-8a50-bdc28fd302d/iso-18895-2006)



PDF disclaimer

This PDF file may contain embedded typefaces. In accordance with Adobe's licensing policy, this file may be printed or viewed but shall not be edited unless the typefaces which are embedded are licensed to and installed on the computer performing the editing. In downloading this file, parties accept therein the responsibility of not infringing Adobe's licensing policy. The ISO Central Secretariat accepts no liability in this area.

Adobe is a trademark of Adobe Systems Incorporated.

Details of the software products used to create this PDF file can be found in the General Info relative to the file; the PDF-creation parameters were optimized for printing. Every care has been taken to ensure that the file is suitable for use by ISO member bodies. In the unlikely event that a problem relating to it is found, please inform the Central Secretariat at the address given below.

iTeh STANDARD PREVIEW
(standards.iteh.ai)

ISO 18895:2006

<https://standards.iteh.ai/catalog/standards/sist/f27958a7-e73c-487c-8a50-bdc28fd302d/iso-18895-2006>

© ISO 2006

All rights reserved. Unless otherwise specified, no part of this publication may be reproduced or utilized in any form or by any means, electronic or mechanical, including photocopying and microfilm, without permission in writing from either ISO at the address below or ISO's member body in the country of the requester.

ISO copyright office
Case postale 56 • CH-1211 Geneva 20
Tel. + 41 22 749 01 11
Fax + 41 22 749 09 47
E-mail copyright@iso.org
Web www.iso.org

Published in Switzerland

Foreword

ISO (the International Organization for Standardization) is a worldwide federation of national standards bodies (ISO member bodies). The work of preparing International Standards is normally carried out through ISO technical committees. Each member body interested in a subject for which a technical committee has been established has the right to be represented on that committee. International organizations, governmental and non-governmental, in liaison with ISO, also take part in the work. ISO collaborates closely with the International Electrotechnical Commission (IEC) on all matters of electrotechnical standardization.

International Standards are drafted in accordance with the rules given in the ISO/IEC Directives, Part 2.

The main task of technical committees is to prepare International Standards. Draft International Standards adopted by the technical committees are circulated to the member bodies for voting. Publication as an International Standard requires approval by at least 75 % of the member bodies casting a vote.

Attention is drawn to the possibility that some of the elements of this document may be the subject of patent rights. ISO shall not be held responsible for identifying any or all such patent rights.

ISO 18895 was prepared by CEN (as EN 12958) and was adopted, under a special "fast-track procedure", by Technical Committee ISO/TC 216, *Footwear*, in parallel with its approval by the ISO member bodies.

iTeh STANDARD PREVIEW
(standards.iteh.ai)

ISO 18895:2006

<https://standards.iteh.ai/catalog/standards/sist/f27958a7-e73c-487c-8a50-bdc28fld302d/iso-18895-2006>

Contents

	Page
Foreword	3
1 Scope	4
2 Normative references	4
3 Definitions	4
4 Apparatus and materials	4
5 Sampling and conditioning	5
6 Test method	5
7 Expression of results	5
8 Test report	5

iTeh STANDARD PREVIEW
(standards.iteh.ai)

[ISO 18895:2006](https://standards.iteh.ai/catalog/standards/sist/f27958a7-e73c-487c-8a50-bdc28fd302d/iso-18895-2006)

<https://standards.iteh.ai/catalog/standards/sist/f27958a7-e73c-487c-8a50-bdc28fd302d/iso-18895-2006>

Foreword

This European Standard has been prepared by Technical Committee CEN/TC 309 "Footwear", the secretariat of which is held by AENOR.

This European Standard shall be given the status of a national standard, either by publication of an identical text or by endorsement, at the latest by August 2000, and conflicting national standards shall be withdrawn at the latest by August 2000.

According to the CEN/CENELEC Internal Regulations, the national standards organizations of the following countries are bound to implement this European Standard: Austria, Belgium, Czech Republic, Denmark, Finland, France, Germany, Greece, Iceland, Ireland, Italy, Luxembourg, Netherlands, Norway, Portugal, Spain, Sweden, Switzerland and the United Kingdom.

iTeh STANDARD PREVIEW (standards.iteh.ai)

[ISO 18895:2006](https://standards.iteh.ai/catalog/standards/sist/f27958a7-e73c-487c-8a50-bdc28fld302d/iso-18895-2006)

<https://standards.iteh.ai/catalog/standards/sist/f27958a7-e73c-487c-8a50-bdc28fld302d/iso-18895-2006>

iTeh STANDARD PREVIEW
(standards.iteh.ai)

ISO 18895:2006

<https://standards.iteh.ai/catalog/standards/sist/f27958a7-e73c-487c-8a50-bdc28fd302d/iso-18895-2006>

Page 4
EN 12958:2000

1 Scope

This European standard specifies a method for assessing the fatigue resistance of steel shanks used for the reinforcement of the waist region of women's shoes and of some men's and children's shoes.

2 Normative references

This European Standard incorporates by dated or undated reference, provisions from other publications. These normative references are cited at the appropriate places in the text and the publications are listed hereafter. For dated references, subsequent amendments to or revisions of any of these publications apply to this European Standard only when incorporated in it by amendment or revision. For undated references the latest edition of the publication referred to applies.

EN 12222 *Footwear – Standard atmospheres for conditioning and testing of footwear and components for footwear.*

3 Definitions

For the purposes of this standard the following definition applies.

3.1

fatigue resistance

the resistance of a shank, under specified conditions, to repeated loading cycles

4 Apparatus and material

A test machine shall be used to measure the fatigue resistance of steel shanks. For multi station machines each station shall include the items described in a) to d).

- a) A fixed lower jaw with flat hardened steel face plates of height $32 \text{ mm} \pm 2 \text{ mm}$ and of width suitable to securely clamp the shank.
- b) An adjustable upper jaw with flat hardened steel face plates with a means of exerting a force of $49 \text{ N} \pm 2 \text{ N}$ on the shank perpendicular to the plane of the lower clamp faces at a rate of four cycles per second. One complete cycle being the application of the load in a forward and reverse direction as in a simple harmonic motion.

An illustration of suitable upper and lower jaw configuration is given in figure 1.

- c) A method of counting the number of complete cycles up to break of the specimen.
- d) A method of controlling the clamping force of the jaws see items a) and b), to $4\,900 \text{ N}\cdot\text{mm} \pm 50 \text{ N}\cdot\text{mm}$.

NOTE A torque wrench is suitable.

5 Sampling and conditioning

The test specimen shall be a complete shank.

At least four samples of each type of shank shall be tested.

Condition samples for 48 h prior to testing in a controlled atmosphere in accordance with EN 12222.

Tests shall be carried out in a suitable conditioned atmosphere in accordance with EN 12222, or, where this is not possible tests shall be carried out within 15 min of removing the test specimen from the conditioned atmosphere.

6 Test method

The shank is clamped at its rear end as it would be in a shoe and bent as a cantilever beam by an alternating force applied to the shank. The number of loading cycles required to break the shank is termed the fatigue life.

Insert the heel end of the shank centrally in the lower jaw (see 4a) so that 32 mm of shank are clamped with the end of the shank level with the bottom edge of the jaw and the specimen is perpendicular to the clamping forces of the lower jaw.

Close and tighten the lower jaw (see 4a) ensuring that the torque exerted at the upper edge of the jaw is 4 900 N·mm by using a device according to 4d). Such a high torque does not need to be applied to the lower edge of the clamp, but apply sufficient to ensure that the lower edge is secure and that the faces of the jaws remain parallel.

Place the upper jaw (see 4b) on the specimen so that the distance between the top edge of the lower clamp (see 4a) and the center of the upper jaw (see 4b) is 70 mm ± 2 mm. Uniformly close and tighten the upper jaw (see 4b) ensuring that the total torque exerted is 4 900 N·mm see 4d).

7 Expression of results

Operate the testing machine and record the total number of load cycles as each specimen breaks.

For each specimen report the total number of load cycles to break and calculate the arithmetic mean of the four results.

8 Test report

The test report shall include the following information:

- a) results, expressed in accordance with clause 7;
- b) reference to this test method;
- c) full description of the samples tested including commercial styles codes, colours, nature, etc.;
- d) the number of test specimens if other than four;
- e) any deviations from this standard method;
- f) date of testing.

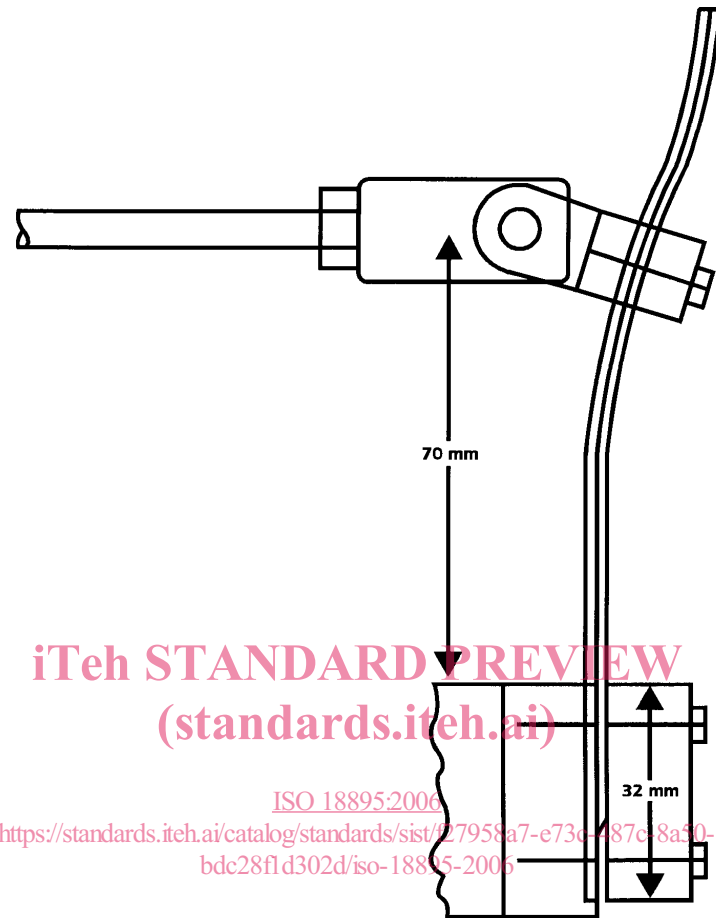


Figure 1 — Upper and lower jaw configuration