

---

# INTERNATIONAL STANDARD



# 108

---

INTERNATIONAL ORGANIZATION FOR STANDARDIZATION • МЕЖДУНАРОДНАЯ ОРГАНИЗАЦИЯ ПО СТАНДАРТИЗАЦИИ • ORGANISATION INTERNATIONALE DE NORMALISATION

---

## Textile machinery and accessories — Weaving looms — Definition of left and right sides

*Matériel pour l'industrie textile — Métiers à tisser — Définition des côtés droit et gauche*

**iTeh STANDARD PREVIEW**  
First edition — 1976-10-15  
**(standards.iteh.ai)**

ISO 108:1976

<https://standards.iteh.ai/catalog/standards/sist/5abb4bdd-eb4c-4a2b-891f-3f630eea4602/iso-108-1976>

---

UDC 677.054

Ref. No. ISO 108-1976 (E)

**Descriptors** : textile machinery, looms, definitions, orientation, right side, left side, designation.

Price based on 1 page

## FOREWORD

ISO (the International Organization for Standardization) is a worldwide federation of national standards institutes (ISO member bodies). The work of developing International Standards is carried out through ISO technical committees. Every member body interested in a subject for which a technical committee has been set up has the right to be represented on that committee. International organizations, governmental and non-governmental, in liaison with ISO, also take part in the work.

Draft International Standards adopted by the technical committees are circulated to the member bodies for approval before their acceptance as International Standards by the ISO Council.

Prior to 1972, the results of the work of the technical committees were published as ISO Recommendations; these documents are in the process of being transformed into International Standards. As part of this process, Technical Committee ISO/TC 72, *Textile machinery and accessories*, has reviewed ISO Recommendation R 108-1959 and found it technically suitable for transformation. International Standard ISO 108 therefore replaces ISO Recommendation R 108-1959, to which it is technically identical.

*(standardsiteh.com)*  
ISO 108:1976  
<https://standards.iteh.ai/catalog/standards/sist/5abb4bdd-cb4c-4a2b-891f-3f30eea4602/iso-108-1976>

ISO Recommendation R 108 had been approved by the member bodies of the following countries :

Austria	India	South Africa, Rep. of
Belgium	Ireland	Spain
Bulgaria	Italy	Sweden
Canada	Japan	Switzerland
Denmark	Netherlands	Turkey
France	Norway	United Kingdom
Germany	Poland	U.S.A.
Greece	Portugal	U.S.S.R.
Hungary	Romania	

No member body had expressed disapproval of the Recommendation.

The member bodies of the following countries disapproved the transformation of the Recommendation into an International Standard :

Belgium  
Switzerland

# Textile machinery and accessories – Weaving looms – Definition of left and right sides

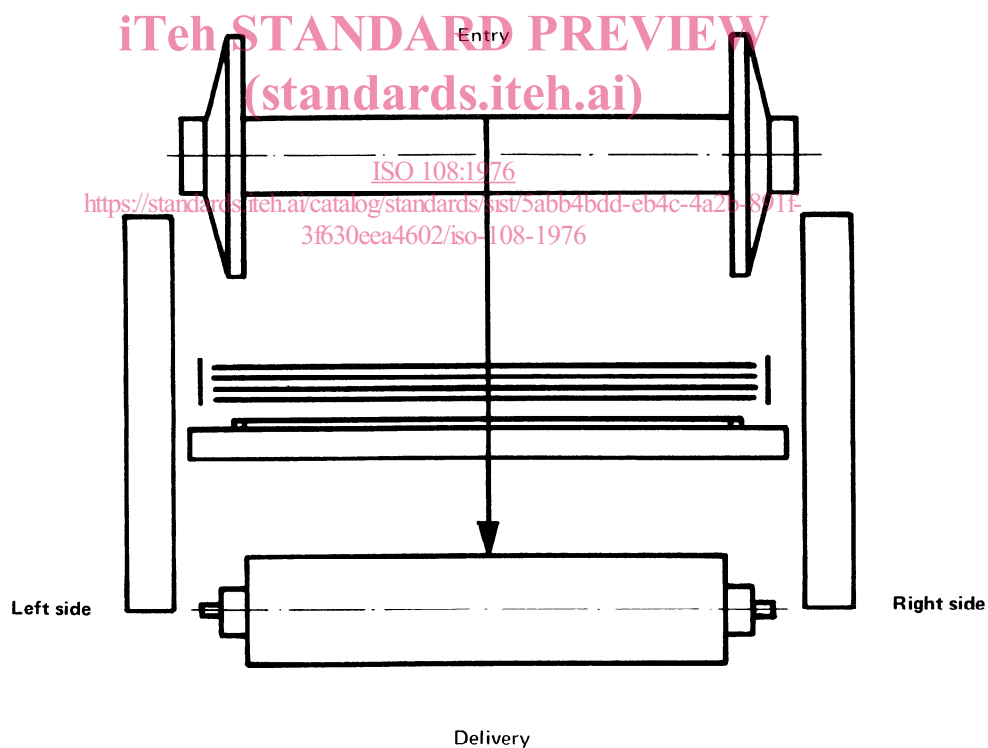
## 1 SCOPE AND FIELD OF APPLICATION

This International Standard gives the definition of the left and right sides of weaving looms.

## 2 DEFINITION

For the determination of the side of the loom, the view is taken against the run of the warp.

The position of the various mechanisms on the loom (left or right) is determined in the same way.



## iTeh STANDARD PREVIEW

This page intentionally left blank  
(standards.iteh.ai)

ISO 108:1976

<https://standards.iteh.ai/catalog/standards/sist/5abb4bdd-eb4c-4a2b-891f-3f630eea4602/iso-108-1976>