

---

---

**Information technology — CDIF semantic  
metamodel —**

**Part 4:  
Data models**

*Technologies de l'information — Métamodèle sémantique CDIF —  
Partie 4: Modèles de données*  
**iTeh STANDARD PREVIEW  
(standards.iteh.ai)**

ISO/IEC 15476-4:2005

<https://standards.iteh.ai/catalog/standards/sist/3bbffa6d-ee15-45b2-a828-0a98346694ce/iso-iec-15476-4-2005>

**PDF disclaimer**

This PDF file may contain embedded typefaces. In accordance with Adobe's licensing policy, this file may be printed or viewed but shall not be edited unless the typefaces which are embedded are licensed to and installed on the computer performing the editing. In downloading this file, parties accept therein the responsibility of not infringing Adobe's licensing policy. The ISO Central Secretariat accepts no liability in this area.

Adobe is a trademark of Adobe Systems Incorporated.

Details of the software products used to create this PDF file can be found in the General Info relative to the file; the PDF-creation parameters were optimized for printing. Every care has been taken to ensure that the file is suitable for use by ISO member bodies. In the unlikely event that a problem relating to it is found, please inform the Central Secretariat at the address given below.

**iTeh STANDARD PREVIEW**  
**(standards.iteh.ai)**

[ISO/IEC 15476-4:2005](https://standards.iteh.ai/catalog/standards/sist/3bbffa6d-ee15-45b2-a828-0a98346694ce/iso-iec-15476-4-2005)

<https://standards.iteh.ai/catalog/standards/sist/3bbffa6d-ee15-45b2-a828-0a98346694ce/iso-iec-15476-4-2005>

© ISO/IEC 2005

All rights reserved. Unless otherwise specified, no part of this publication may be reproduced or utilized in any form or by any means, electronic or mechanical, including photocopying and microfilm, without permission in writing from either ISO at the address below or ISO's member body in the country of the requester.

ISO copyright office  
Case postale 56 • CH-1211 Geneva 20  
Tel. + 41 22 749 01 11  
Fax + 41 22 749 09 47  
E-mail [copyright@iso.org](mailto:copyright@iso.org)  
Web [www.iso.org](http://www.iso.org)

Published in Switzerland

## Contents

1	Scope .....	1
2	Conformance .....	2
2.1	General .....	2
2.2	Input conformance .....	2
2.3	Output conformance .....	2
2.4	Round-trip conformance .....	3
3	Normative references .....	3
4	Terms and definitions .....	3
4.1	From other International Standards .....	3
4.1.1	ISO/IEC 15474-1 .....	3
4.1.2	ISO/IEC 13238-1 .....	4
4.1.3	For this International Standard .....	4
5	Symbols (and abbreviated terms) .....	4
5.1	Naming, diagramming and definition conventions .....	4
5.2	Abbreviations .....	4
5.3	Notation for this subject area .....	4
6	Data models subject area overview .....	5
6.1	Introduction .....	5
6.2	Diagrams .....	6
6.3	Entities .....	11
6.4	Relationships .....	11
6.4.1	Binary relationship .....	12
6.4.2	N-ary relationship .....	12
6.4.3	Simple relationship .....	12
6.4.4	Complex relationship .....	12
6.5	Roles .....	14
6.6	Cardinalities .....	15
6.6.1	Outer cardinalities .....	16
6.6.2	Inner cardinalities .....	17
6.7	Multi-player roles .....	18
6.8	Role constraints .....	20
6.9	Attributes .....	22
6.10	Keys and access paths .....	23
6.11	Referential integrity .....	27
6.12	Supertypes and subtypes .....	29
6.12.1	Coverage .....	30
6.12.2	Exclusivity .....	31
6.12.3	Orthogonality .....	32
6.12.4	Inheritance .....	33
6.13	Refinement of inherited characteristics .....	34
6.13.1	Refinement of attribute characteristics .....	34
6.13.2	Refinement of relationship characteristics .....	35
6.14	Subsets .....	36
6.15	Clusters .....	37
6.16	Projections .....	38
6.17	Computable languages .....	41
7	Data models subject area summary .....	43
7.1	AttributableMetaObject hierarchy .....	43
7.2	MetaEntity summary .....	45

7.3	MetaRelationship summary.....	50
8	Data models subject area specification .....	54
8.1	Introduction.....	54
8.2	Subject area definition.....	54
8.3	Meta-entity definitions .....	55
8.3.1	AccessPath.....	55
8.3.2	Attribute.....	56
8.3.3	CandidateKey .....	58
8.3.4	Cluster .....	59
8.3.5	ComponentObject.....	59
8.3.6	DataModel.....	59
8.3.7	DataModelObject.....	60
8.3.8	DataModelSubset .....	61
8.3.9	DefinitionObject .....	61
8.3.10	Entity.....	62
8.3.11	ForeignKey .....	68
8.3.12	InheritableDataModelObject.....	68
8.3.13	Key .....	69
8.3.14	ProjectedAttribute.....	70
8.3.15	ProjectionComponent.....	71
8.3.16	Relationship .....	73
8.3.17	Role.....	74
8.3.18	RoleConstraint .....	75
8.3.19	RolePlayer .....	77
8.3.20	SemanticInformationObject .....	90
8.3.21	SubtypeSet .....	91
8.3.22	SubtypeSetMembershipCriterion.....	92
8.4	Meta-relationship definitions .....	94
8.4.1	AccessPath.Incorporates.Attribute .....	94
8.4.2	AccessPath.Instantiates.Key .....	95
8.4.3	Attribute.IsDiscriminatorFor.SubtypeSetMembershipCriterion .....	96
8.4.4	Attribute.IsInheritedFrom.Attribute .....	96
8.4.5	CandidateKey.Incorporates.ForeignKey .....	97
8.4.6	Cluster.Collects.DataModelObject.....	97
8.4.7	ComponentObject.References.DefinitionObject .....	97
8.4.8	DataModel.Collects.DataModelObject .....	98
8.4.9	DataModelObject.ActsAs.RolePlayer .....	98
8.4.10	DataModelObject.IsMemberOf.DataModelSubset.....	99
8.4.11	DataModelSubset.Excludes.Attribute.....	99
8.4.12	DataModelSubset.IsSubsetOf.DataModel .....	100
8.4.13	DefinitionObject.Contains.ComponentObject .....	100
8.4.14	DefinitionObject.IsConstructedWith.ProjectionComponent.....	100
8.4.15	Entity.IsAccessedUsing.AccessPath .....	101
8.4.16	Entity.IsIdentifiedBy.CandidateKey .....	101
8.4.17	ForeignKey.Incorporates.RolePlayer .....	102
8.4.18	ForeignKey.References.CandidateKey .....	102
8.4.19	InheritableDataModelObject.IsSubtypeIn.SubtypeSet .....	103
8.4.20	InheritableDataModelObject.IsSupertypeFor.SubtypeSet .....	104
8.4.21	Key.Incorporates.Attribute .....	105
8.4.22	Key.Incorporates.SemanticInformationObject .....	106
8.4.23	ProjectedAttribute.IsProjectionOf.Attribute.....	107
8.4.24	ProjectionComponent.IsFullProjectionOf.DefinitionObject.....	107
8.4.25	ProjectionComponent.IsProjectionOf.Attribute.....	108
8.4.26	Role.BelongsTo.Relationship .....	109
8.4.27	RoleConstraint.Incorporates.RoleConstraint .....	109
8.4.28	RoleConstraint.Incorporates.RolePlayer .....	110
8.4.29	RoleConstraint.Incorporates.SemanticInformationObject.....	110
8.4.30	RolePlayer.IsSupportedBy.Key.....	111
8.4.31	RolePlayer.Plays.Role .....	111

iTech STANDARD PREVIEW  
(standards.iteh.ai)

ISO/IEC 15476-4:2005

<https://standards.iteh.ai/catalog/standards/sist/3bbffa6d-ee15-45b2-a828-0a932769169c/iso-iec-15476-4-2005>

0a932769169c/iso-iec-15476-4-2005

<b>8.4.32</b>	<b>RolePlayer.Refines.RolePlayer</b> .....	<b>112</b>
<b>8.4.33</b>	<b>RolePlayer.RefinesForSubtype.DataModelObject</b> .....	<b>112</b>
<b>8.4.34</b>	<b>SubtypeSet.Specifies.SubtypeSetMembershipCriterion</b> .....	<b>113</b>
<b>8.4.35</b>	<b>SubtypeSetMembershipCriterion.Selects.InheritableDataModelObject</b> .....	<b>113</b>

### Table of Illustrations

Figure 1 – CDIF family of International Standards .....	1
Figure 2 – Diagrammatic Conventions - Keys .....	5
Figure 3 – Data Models subject area overview .....	6
Figure 4 – Partitioning/View mechanisms .....	7
Figure 5 – <i>Keys</i> and <i>AccessPath</i> .....	8
Figure 6 – <i>Roles</i> , <i>RolePlayers</i> and <i>RoleConstraints</i> .....	9
Figure 7 – Connection between Data Models and Common subject areas .....	10
Figure 8 – Connection between Data Models and Data Definition subject areas .....	11
Figure 9 – Binary Relationship .....	12
Figure 10 – Ternary Relationship .....	12
Figure 11 – Complex Binary Relationship .....	13
Figure 12 – Instance Diagram showing a Complex Relationship .....	14
Figure 13 – Roles .....	14
Figure 14 – Reflexive or Recursive Relationship .....	15
Figure 15 – Examples of Types of Binary Relationships .....	16
Figure 16 – Outer Cardinalities .....	16
Figure 17 – Inner Cardinalities .....	17
Figure 18 – Inner Cardinalities and Attributed Binary Relationships .....	18
Figure 19 – Multi-player Roles and Heterogeneous Collections .....	19
Figure 20 – Multi-player Roles and Common Outer Cardinality .....	20
Figure 21 – Role Constraint Network .....	21
Figure 22 – Constraints on Role Participation .....	21
Figure 23 – Instance Diagram showing Role Constraints .....	22
Figure 24 – Attributed <i>Relationships</i> , <i>Roles</i> and <i>RolePlayers</i> .....	23
Figure 25 – Foreign Keys .....	24

Figure 26 – <i>RolePlayer</i> as a component of a <i>ForeignKey</i> .....	25
Figure 27 – Key support of <i>RolePlayer</i> .....	26
Figure 28 – Key support for <i>RolePlayer</i> in a Reflexive <i>Relationship</i> .....	27
Figure 29 – Subtype Set Discriminator.....	30
Figure 30 – Abstract Supertype .....	31
Figure 31 – Concrete Supertype .....	31
Figure 32 – Non-exclusive Subtype Set.....	32
Figure 33 – Orthogonal Subtype Sets.....	32
Figure 34 – Instance Diagram showing Orthogonal Subtype Sets .....	33
Figure 35 – Overlapping Subtype Sets .....	33
Figure 36 – Inheritance .....	34
Figure 37 – Refinement of Cardinalities.....	35
Figure 38 – Instance Diagram showing refinement of Cardinalities.....	36
Figure 39 – Subsets.....	37
Figure 40 – <i>Clusters</i> .....	38
Figure 41 – Instance Diagram showing Simple Projection .....	39
Figure 42 – Instance Diagram showing Complex Projection .....	40
Figure 43 – Instance Diagram showing <i>Attribute</i> Renaming .....	41

iTeh STANDARD PREVIEW  
(standards.iteh.ai)

ISO/IEC 15476-4:2005  
<https://standards.iteh.ai/catalog/standards/sist/3bbffa6d-ee15-45b2-a828-0a98346694cc/iso-iec-15476-4-2005>

## Foreword

ISO (the International Organization for Standardization) and IEC (the International Electrotechnical Commission) form the specialized system for worldwide standardization. National bodies that are members of ISO or IEC participate in the development of International Standards through technical committees established by the respective organization to deal with particular fields of technical activity. ISO and IEC technical committees collaborate in fields of mutual interest. Other international organizations, governmental and non-governmental, in liaison with ISO and IEC, also take part in the work. In the field of information technology, ISO and IEC have established a joint technical committee, ISO/IEC JTC 1.

International Standards are drafted in accordance with the rules given in the ISO/IEC Directives, Part 2.

The main task of the joint technical committee is to prepare International Standards. Draft International Standards adopted by the joint technical committee are circulated to national bodies for voting. Publication as an International Standard requires approval by at least 75 % of the national bodies casting a vote.

Attention is drawn to the possibility that some of the elements of this document may be the subject of patent rights. ISO and IEC shall not be held responsible for identifying any or all such patent rights.

ISO/IEC 15476-4 was prepared by Joint Technical Committee ISO/IEC JTC 1, *Information technology*, Subcommittee SC 7, *Software and system engineering*.

ISO/IEC 15476 consists of the following parts, under the general title *Information technology — CDIF semantic metamodel*:

- *Part 1: Foundation* [ISO/IEC 15476-4:2005](https://standards.iteh.ai/catalog/standards/sist/3bbffa6d-ee15-45b2-a828-0a98346694ce/iso-iec-15476-4-2005)
- *Part 2: Common* <https://standards.iteh.ai/catalog/standards/sist/3bbffa6d-ee15-45b2-a828-0a98346694ce/iso-iec-15476-4-2005>
- *Part 3: Data definitions*
- *Part 4: Data models*
- *Part 5: Data flow models*
- *Part 6: State/event models*

## Introduction

This International Standard will assist the vendors and users of modelling tools and meta-data repositories in developing mechanisms for interchanging information. This International Standard specifies an element of a family of related International Standards. When used together, these International Standards specify a mechanism for transferring information between tools.

ISO/IEC 15474-1:2002, *Information technology - CDIF framework - Part 1: Overview* and ISO/IEC 15474-2:2002, *Information technology - CDIF framework - Part 2: Modelling and extensibility* should be read first when initially exploring CDIF. The first explains the overall CDIF architecture and how the family of standards fits together. The second explains the scope, and modelling approach in CDIF. The CDIF meta-metamodel and extensibility mechanism are also defined in that document.

This International Standard explains the Data models subject area. The CDIF semantic metamodel is used to ensure that the information held by tools communicating using CDIF is transferred with an agreed meaning. It covers the information required to express Entity-Relationship-Attribute Modelling and Logical Database Design concepts.

This International Standard has been developed with the wide support and participation of vendors, users, academia and government involved in or familiar with the CASE industry, its products and the general requirements associated with interchanging information between these products.

This document is organized into the following Clauses.

— Clause 1 to 5 are prescribed ISO/IEC Clauses;

— Clause 6: Subject area overview:

<https://standards.iteh.ai/catalog/standards/sist/3bbffa6d-ee15-45b2-a828-0a98540874cc/iso-iec-15476-4-2005>  
This Clause gives an overview of the coverage of this subject area.

— Clause 7: Subject area summary:

This Clause gives an overview of the content of this subject area.

— Clause 8: Subject area specification:

This Clause gives the formal specification of all the objects defined in the subject area, and the formal reference to those used, but not defined in the subject area.

This document is intended to be used by anyone wishing to understand and/or use CDIF. This document provides a definition of a single subject area of the CDIF semantic metamodel. It is suitable for:

- Those evaluating CDIF;
- Those who wish to understand the principles and concepts of a CDIF transfer; and
- Those developing importers and exporters.

This document, ISO/IEC 15474-1:2002, *Information technology - CDIF framework - Part 1: Overview*, and the framework document ISO/IEC 15474-2:2002, *Information technology - CDIF framework - Part 2: Modelling and extensibility*, should be read first when initially exploring CDIF and before attempting to read other documents in the CDIF family of standards.



While there are no specific prerequisites for reading this document, it will be helpful for the reader to have familiarity with the following:

- Entity-Relationship-Attribute modelling;
- Modelling (CASE) tools;
- Information repositories;
- Data dictionaries;
- Multiple meta-layer modelling.

## iTeh STANDARD PREVIEW (standards.iteh.ai)

[ISO/IEC 15476-4:2005](https://standards.iteh.ai/catalog/standards/sist/3bbffa6d-ee15-45b2-a828-0a98346694ce/iso-iec-15476-4-2005)

<https://standards.iteh.ai/catalog/standards/sist/3bbffa6d-ee15-45b2-a828-0a98346694ce/iso-iec-15476-4-2005>

**iTeh STANDARD PREVIEW**  
**(standards.iteh.ai)**

ISO/IEC 15476-4:2005

<https://standards.iteh.ai/catalog/standards/sist/3bbffa6d-ee15-45b2-a828-0a98346694ce/iso-iec-15476-4-2005>

# Information technology — CDIF semantic metamodel —

## Part 4: Data models

### 1 Scope

The CDIF family of International Standards is primarily designed to be used as a description of a mechanism for transferring information between modelling tools. It facilitates a successful transfer when the authors of the importing and exporting tools have nothing in common except an agreement to conform to CDIF. The language that is defined for the transfer format also has applicability as a general language for import/export from repositories. The CDIF semantic metamodel defined for CASE also has applicability as the basis of standard definitions for use in repositories.

The International Standards which form the complete family of CDIF standards are documented in ISO/IEC 15474-1. These International Standards cover the overall framework, the transfer format and the CDIF semantic metamodel.

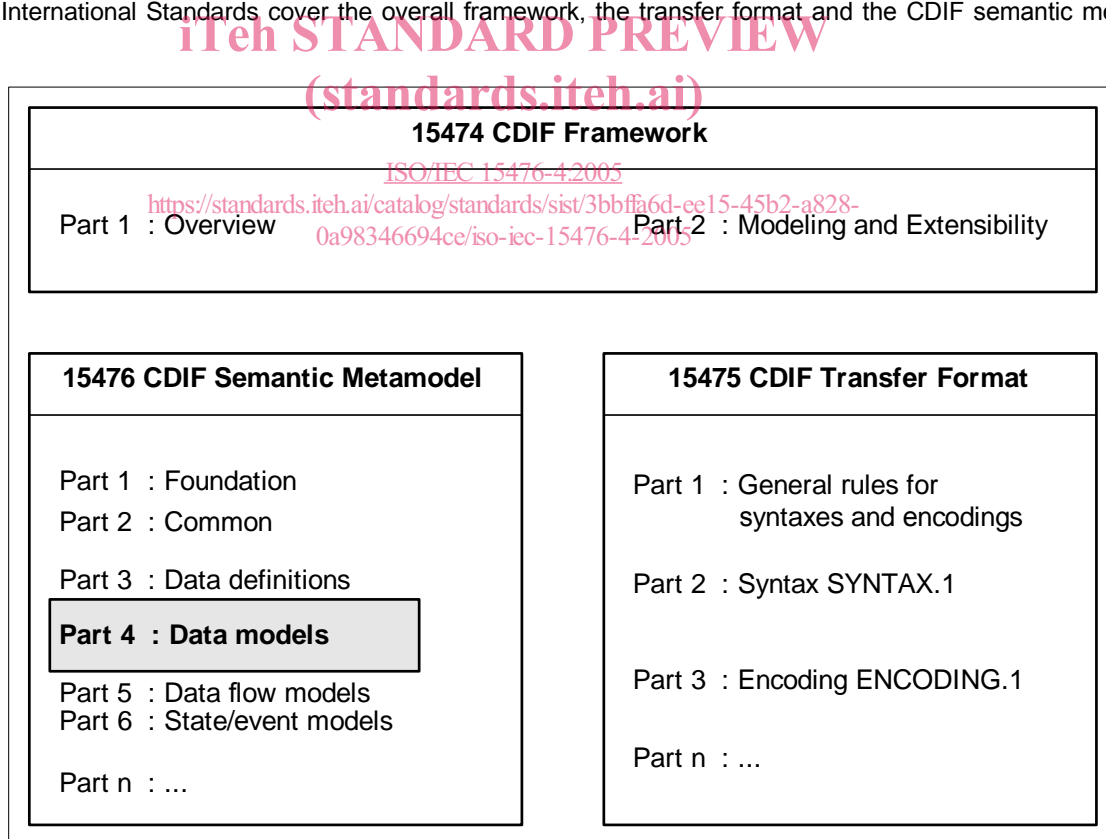


Figure 1 – CDIF family of International Standards

The diagram in Figure 1 depicts the various International Standards that comprise the CDIF family of standards. The shaded box depicts this Standard and its position in the CDIF family of standards.

This International Standard defines the portion of the CDIF semantic metamodel that supports general Data Modelling. This includes Entity-Relationship-Attribute Modelling as well as Logical Database Design.

## 2 Conformance

### 2.1 General

A product is fully standards conformant to a CDIF subject area standard if and only if it is input-conformant, output-conformant and round-trip conformant to each and every *MetaEntity*, *MetaRelationship*, *MetaAttribute*, and *AttributableMetaObject* which is defined and/or used in that standard, and it is also CDIF architecture conformant. A product may be partially input-conformant, and/or partially output-conformant, and/or partially round-trip conformant to a CDIF subject area standard.

### 2.2 Input conformance

Input conformance for a specific *MetaEntity*, *MetaRelationship*, *MetaAttribute*, or *AttributableMetaObject* (short: *CollectableMetaObject*) is determined by applying the following test:

A set of meta-data containing all meanings and structures standardized by a CDIF subject area is imported by the product under test. Then the meta-data which has arrived in the product is examined. The following options exist for the relation between the input (CDIF) meta-data and the imported (product) meta-data:

For a specific *CollectableMetaObject*:

- 1 The product is input conformant if each instance of the specific *CollectableMetaObject* has arrived in the product without change of meaning or structure. If the *CollectableMetaObject* is a meta-entity or meta-relationship, its structural relationships to other *CollectableMetaObjects* have been preserved. If the *CollectableMetaObject* is a meta-attribute, the value of the meta-attribute has been preserved.
- 2 The product is input morphing conformant if each instance of the specific *CollectableMetaObject* has arrived in the product, but with some changes in meaning or structure. If the *CollectableMetaObject* is a meta-attribute, the value(s) for some instances of the meta-attribute have changed.
- 3 The product is not input conformant for that *CollectableMetaObject* if neither of the previous tests is satisfied.

### 2.3 Output conformance

Output conformance for a specific *CollectableMetaObject* is determined by applying the following test:

For the product being tested, a set of meta-data that includes all possible meanings and structures representable in that product is exported. Then the meta-data that has been exported is examined. The following options exist for the relation between the product's meta-data and the exported (CDIF) meta-data:

For a specific *CollectableMetaObject*:

- 1 The product is output conformant if all of the meaning and structure for the specific *CollectableMetaObject* has been represented as meta-data in the product and has been exported as one or more instances of that *CollectableMetaObject*. If the *CollectableMetaObject* is a meta-attribute, the correct value of the meta-attribute has been exported.
- 2 The product is output morphing conformant if each instance of meta-data in the product that has the same meaning and structure as the *CollectableMetaObject* has been exported, but some instances have been exported as a different *CollectableMetaObject* or some of the meaning and structure has been changed.
- 3 If the product does not represent the meaning and structure associated with the *CollectableMetaObject*, output conformance for that *CollectableMetaObject* is not applicable to the product.

4 In all other cases, the product is not output conformant for that *CollectableMetaObject*.

## 2.4 Round-trip conformance

Round-trip conformance for a specific *CollectableMetaObject* is determined by applying the following test:

A set of meta-data containing all meanings and structures standardized by a CDIF subject area is imported by the product under test. Then the meta-data is exported again. The following options exist for the relation between the input meta-data and the output meta-data:

For a specific *CollectableMetaObject*:

- 1 The product is round-trip conformant if the meaning and structure of each instance of the *CollectableMetaObject* is preserved without changes during the round-trip. For a vendor to claim round-trip conformance, it is also necessary for the tool to be able to perform create, read, update, and delete operations on the imported (product) meta-data corresponding to the instances of the *CollectableMetaObject*.
- 2 The product is round-trip morphing conformant if each instance of the input *CollectableMetaObject* is preserved, but with some changes in meaning and/or structure. If the *CollectableMetaObject* is a meta-entity or meta-relationship, some of its instances' structural relationships to other *CollectableMetaObjects* have changed, or some instances have been transformed into other *CollectableMetaObjects*, or instances of other *CollectableMetaObjects* have been transformed into instances of the *CollectableMetaObject*. If the *CollectableMetaObject* is a meta-attribute, the values of some instances of the meta-attribute have changed or the domain of the meta-attribute has changed.
- 3 In all other cases, the product is not round-trip conformant for that *CollectableMetaObject*.

iTEH STANDARD PREVIEW  
(standards.iteh.ai)

## 3 Normative references

[ISO/IEC 15476-4:2005](#)

The following referenced documents are indispensable for the application of this document. For dated references, only the edition cited applies. For undated references, the latest edition of the referenced document (including any amendments) applies.

ISO/IEC 15474-1, *Information technology — CDIF framework — Part 1: Overview*

ISO/IEC 15474-2, *Information technology — CDIF framework — Part 2: Modelling and extensibility*

ISO/IEC 15476-1, *Information technology — CDIF semantic metamodel — Part 1: Foundation*

ISO/IEC 15476-2, *Information technology — CDIF semantic metamodel — Part 2: Common*

ISO/IEC 15476-3, *Information technology — CDIF semantic metamodel — Part 3: Data definitions*

## 4 Terms and definitions

For the purposes of this document, the following definitions apply. Unless otherwise noted, the definitions are specific to this International Standard.

### 4.1 From other International Standards

#### 4.1.1 ISO/IEC 15474-1

This part of ISO/IEC 15476 makes use of the following terms defined in ISO/IEC 15474-1:

CDIF  
CDIF family of standards  
CDIF semantic metamodel  
CDIF meta-metamodel  
CDIF transfer  
Instance  
Meta-attribute  
Meta-entity  
Metamodel  
Meta-object  
Meta-relationship  
Model  
Subject area  
Transfer  
Transfer format

#### 4.1.2 ISO/IEC 13238-1

This part of ISO/IEC 15476 makes use of the following terms from ISO/IEC 13238-1:

Exporter  
Importer

#### 4.1.3 For this International Standard

For the purpose of this part of ISO/IEC 15476 new terms are defined when introduced. Double quotes are used to introduce new terms (e.g., "model layer")

iTeh STANDARD PREVIEW  
(standards.iteh.ai)

[ISO/IEC 15476-4:2005](#)

## 5 Symbols (and abbreviated terms)

[catalog/standards/sist/3bbffa6d-ee15-45b2-a828-0a98346694ce/iso-iec-15476-4-2005](#)

### 5.1 Naming, diagramming and definition conventions

Conventions for naming, diagramming, describing and defining meta-objects can be found in Clause 7 of the framework document (ISO/IEC 15474-2:2002, *Information technology - CDIF framework - Part 2: Modelling and extensibility*).

### 5.2 Abbreviations

The following abbreviation is used in this International Standard:

CDIF CASE Data Interchange Format (originally)

### 5.3 Notation for this subject area

The instance diagrams appearing in Clause 6 use various techniques to depict relationships. Relationships are shown as lines and arrow-heads, or as diamonds. Keys and key components are shown as in Figure 2.

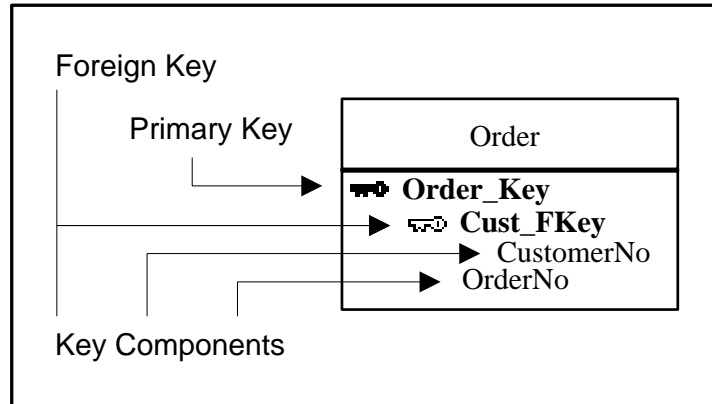


Figure 2 – Diagrammatic Conventions - Keys

Solid keys are primary keys; clear keys are foreign keys and indented items are key components. For example, Figure 2 reads, "**Orders** have a primary key called **Order\_Key** that consists of a foreign key called **Cust\_FKey** and an attribute **OrderNo**. **Cust\_FKey** consists of a single attribute called **CustomerNo**."

## 6 Data models subject area overview

### 6.1 Introduction

The Data Models subject area addresses the major forms of entity-relationship-attribute modelling and logical database design. This subject area is technique independent but offers broad coverage, striving for a superset of the concepts represented in various techniques.

The following sub-clauses explain the major concepts supported in this subject area.