



Designation: D3104 – 99 (Reapproved 2005)

Standard Test Method for Softening Point of Pitches (Mettler Softening Point Method)¹

This standard is issued under the fixed designation D3104; the number immediately following the designation indicates the year of original adoption or, in the case of revision, the year of last revision. A number in parentheses indicates the year of last reapproval. A superscript epsilon (ϵ) indicates an editorial change since the last revision or reapproval.

1. Scope

1.1 This test method covers the determination of the softening point of pitches having softening points in the range from 50 to 180°C by this test method, and gives results comparable to those obtained by Test Method D2319 above 176°F (80°C).

1.2 The values stated in SI units are to be regarded as the standard.

1.3 *This standard does not purport to address all of the safety concerns, if any, associated with its use. It is the responsibility of the user of this standard to establish appropriate safety and health practices and determine the applicability of regulatory limitations prior to use.*

2. Referenced Documents

2.1 *ASTM Standards:*²

A314 Specification for Stainless Steel Billets and Bars for Forging

D2319 Test Method for Softening Point of Pitch (Cube-in-Air Method)

D4296 Practice for Sampling Pitch

3. Summary of Test Method

3.1 In this test method, the softening point is defined as the temperature at which pitch, suspended in a cylindrical cup with a 6.35-mm hole in the bottom, flows downward a distance of 19 mm to interrupt a light beam, as the sample is heated at a linear rate in air.

4. Significance and Use

4.1 Pitch does not go through a solid-liquid phase change when heated, and therefore does not have a true melting point. As the temperature is raised pitch gradually softens or becomes

less viscous. For this reason, the determination of the softening point must be made by an arbitrary, but closely defined, method if the test values are to be reproducible.

4.2 This test method is useful in determining the consistency of pitches as one element in establishing the uniformity of shipments or sources of supply.

5. Apparatus

5.1 A Mettler dropping point cell³ shall be used to determine pitch softening points by this test method. These commercially available instruments consist of a control unit with a digital temperature indicator, matched furnace, sample cartridges, and accessories. The control unit automatically regulates the heating rate of the furnace. The softening point is indicated on the readout, and the heating program stopped, when the sample flow triggers a photocell detector. A general view of the contents of the Mettler is shown in Fig. 1.

5.1.1 *Control Unit*—This unit shall provide a continuous, linear temperature increase from 25 to 250°C at a rate of 2°C/min. A digital readout shall indicate the temperature to 0.1°C throughout.

5.1.2 *Furnace Unit*—This unit shall be capable of heating a sample cup assembly, as described in 5.1.3, at a linear rate of $2 \pm 0.3^\circ\text{C}/\text{min}$. It shall include a sensing system capable of detecting the softening point with a precision of 0.1°C.

5.1.3 *Sample Cup Assembly*—A cup of chromium-plated brass, or of stainless steel conforming to the requirements for Type 303 (UNS S30300) as prescribed in Specification A314, with the dimensions shown in Fig. 2. It shall be placed in the assembly so that the pitch sample will flow downward a distance of 19 mm before interrupting a light beam and stopping the heating program as the softening point is reached.

6. Reagents

6.1 *Xylene*, industrial grade.

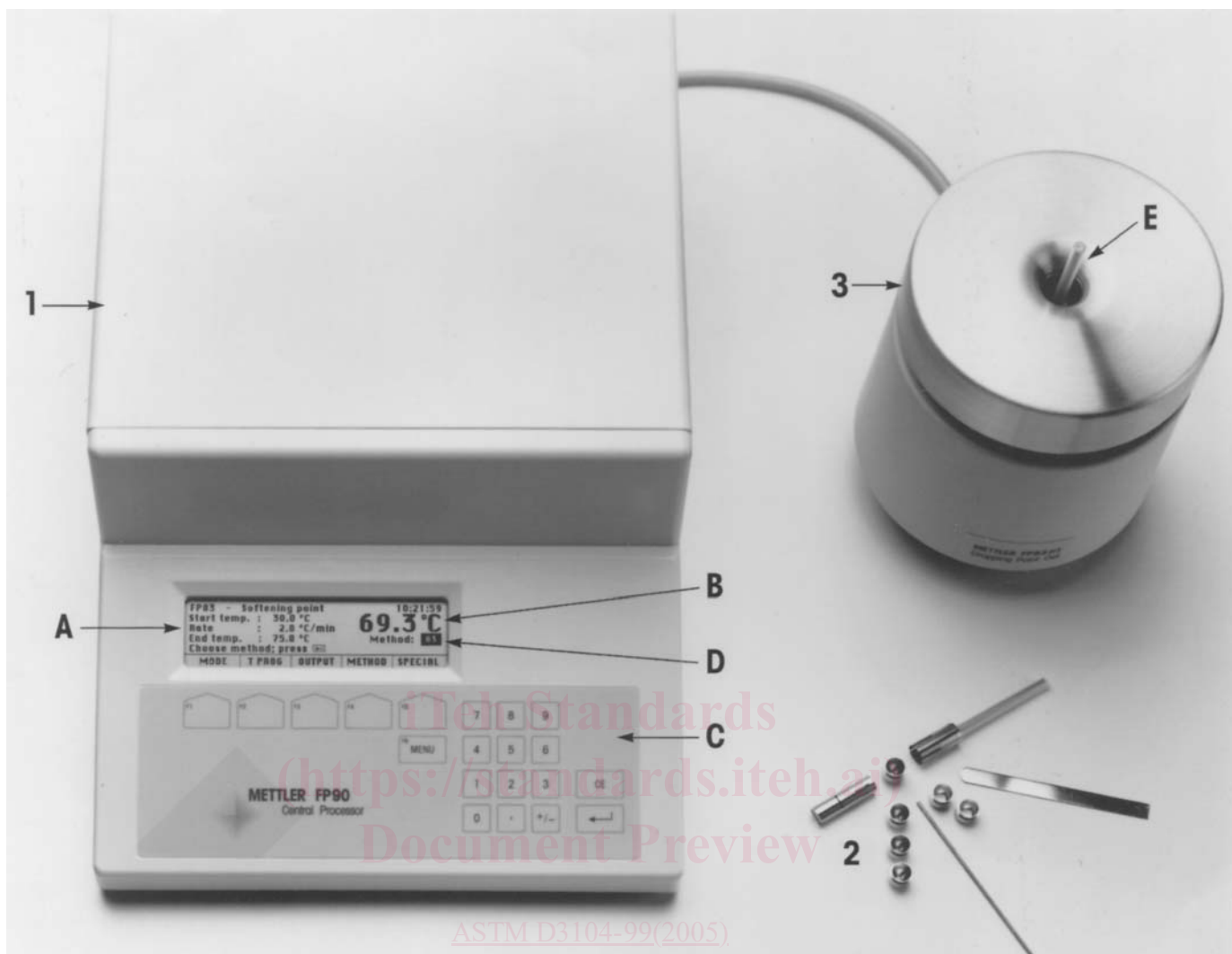
6.2 *Benzoic Acid*.

¹ This test method is under the jurisdiction of ASTM Committee D02 on Petroleum Products and Lubricants and is the direct responsibility of Subcommittee D02.05 on Properties of Fuels, Petroleum Coke and Carbon Material.

Current edition approved March 1, 2005. Published March 2005. Originally approved in 1972. Last previous edition approved in 1999 as D3104 – 99. DOI: 10.1520/D3104-99R05.

² For referenced ASTM standards, visit the ASTM website, www.astm.org, or contact ASTM Customer Service at service@astm.org. For *Annual Book of ASTM Standards* volume information, refer to the standard's Document Summary page on the ASTM website.

³ The sole source of supply of the apparatus known to the committee at this time is available from the Mettler Toledo, Inc., Balances and Instruments, 69 Princeton-Hightstown Rd., Hightstown, NJ 08520-0071. If you are aware of alternative suppliers, please provide this information to ASTM International Headquarters. Your comments will receive careful consideration at a meeting of the responsible technical committee,¹ which you may attend.



General View of the METTLER TOLEDO FP90/FP83HT

- | | |
|--|--|
| <p>1 Control and evaluation unit
 A LCD with guide for operator
 B Temperature display
 C Keyboard with function keys F1 to F6
 D Selected method number</p> | <p>2 Cartridges with accessories
 3 Measuring cell FP83HT
 E Sample holder</p> |
|--|--|

FIG. 1 General View of the Mettler FP-5/53

7. Calibration of the Mettler Apparatus

7.1 This step, required only occasionally, is designed to establish that the temperature indicated by the instrument is in agreement with a known standard. A special cup with a bottom orifice of 2.8 mm is used instead of the one prescribed for the testing of pitch.

7.2 *Reagent*—Use either analytical reagent or primary standard grade benzoic acid for the calibration. As this material is hygroscopic it must be stored in a tightly sealed container, and replaced with fresh material from a newly opened supply if hydration or other contamination is suspected.

7.3 Procedure:

7.3.1 *Filling the Sample Cup*—Place the cup on a clean, flat surface. Add a small amount of benzoic acid crystals and press

down with a rod (approximately 4.5 mm in diameter). Check that the bottom orifice is completely filled. Refill and repeat the pressing step until the cup is filled with benzoic acid. Remove any crystals from the exterior of the cup.

7.3.2 *Heating*—Preheat the Mettler furnace to 121°C, and maintain it at that temperature. Place the cartridge assembly containing the benzoic acid in position in the furnace, taking care that the slits for the light beam are properly positioned. Wait for temperature equilibration, that is, the furnace and the sample are in equilibrium at the preset temperature, but not less than the 30 s after inserting the cartridge, start the automatic heating cycle at 0.2°C/min. The temperature will rise steadily at the correct rate until the drop point is reached, and then remain steady on the readout.

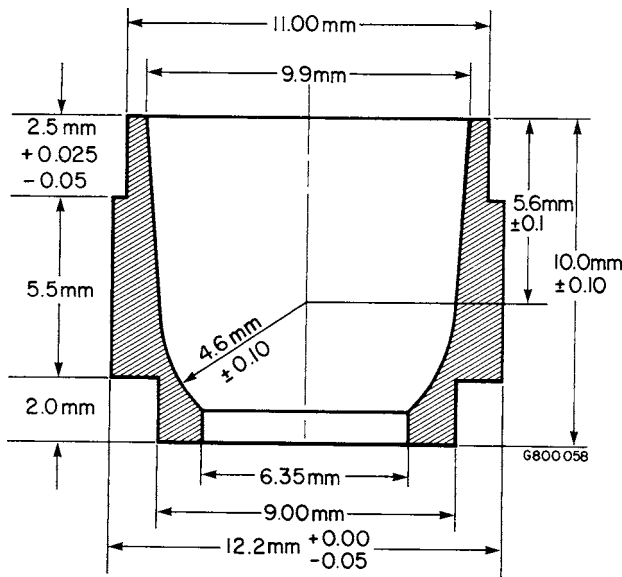


FIG. 2 Sample Cup

molten pitch should not exceed the expected softening point by more than 50°C. Any foam that forms must be skimmed off.

8.4.2 Prepare the sample by slightly overfilling the sample cup, which rests on a brass plate. Keep the lip of the container close to the top of the cup to minimize entrainment of air bubbles. Underpouring past the blade of a spatula is helpful in this respect. Cool the pitch in the cup until firm, under cold water if necessary. Trim the sample flush with the top of the cup by pressing with a heated knife or spatula while drawing it toward you. Do not trim by cutting across the top with a forward or sideward motion as this tends to lift the sample out of the mold, thus creating an internal void which is not easily detected, and which significantly alters the result.

8.4.3 An alternative method which avoids possible loss of volatiles in remelting, is to press the cold, solid sample into the sample cup. Select clean, dry, dust-free lumps from the representative portion of the sample and crush to a size of less than 2 mm. Place a sample cup in the mold (see Figs. 3-5). Place the assembled mold, with the knockout pin in position, on the bottom plate of a hydraulic press. Pour about 2 g of the crushed pitch into the top of the mold and insert the top ram. Compress the pitch into the cup with a total force on the ram of 22.24 kN (5000 lbf). Hold this pressure for a minimum of 15 s. Excessive molding pressure can cause the sample cup to fail by shearing. Remove the mold assembly from the press and rotate the upper half while keeping the lower half of the mold stationary. This action causes the pitch to shear horizontally at the top of the cup. Separate the two parts of the mold and remove the sample cup from the lower half. It may be necessary to dislodge it by pressing against the knockout pin. A small-diameter rod mounted in the base plate may be used for this. Clean the mold of all residual pitch to avoid misalignment or binding during subsequent use. This procedure does not work well for pitches having softening points below 80°C unless the mold is precooled below room temperature.

9. Procedure

9.1 The procedure described in this test method for measuring the softening point of pitches using either Mettler instrument has been developed to duplicate the results obtained by Test Method D2319.

9.2 Preset the temperature of the furnace to 20 to 25°C below the expected softening point of the sample and maintain this temperature for a few minutes (see Note 1). Place the sample cup in the cartridge and the cartridge assembly in the furnace, taking care that the slits for the light beam are properly positioned. Wait for temperature equilibration, that is, the furnace and the sample are in equilibrium at the preset temperature, but not less than the 30 s after inserting the cartridge, start the automatic heating cycle at 2.0°C/min. Heating will be maintained at this rate until the drop point is reached, after which a steady temperature will be displayed on the digital readout. Record this temperature as the softening point of the sample.

NOTE 1—In the event of a dispute, the purchaser and supplier shall agree on the exact starting temperature to be used.

9.3 Immediately remove the cartridge assembly upon completion of the test. Check to ensure that the sample has

7.3.3 *Cleaning*—Immediately remove the cartridge assembly. Check to determine that the sample has passed through the light beam and no pre-triggering has occurred. If a malfunction is suspected, the entire procedure must be repeated. Inspect the apparatus carefully to ensure that no residue remains. Use a spatula shaped to the contour of the cup to remove most of the remaining acid from the cup and from the bottom of the cartridge. Wash the cup and cartridge in xylene, or other suitable solvent, to remove the last traces of the residue.

7.3.4 *Interpretation*—If the result is not $123.5 \pm 0.5^\circ\text{C}$, repeat the test. If the second value is 0.6° above or below 123.5°C , measure the dropping point of a fresh sample of benzoic acid. If the deviation exceeds 0.6°C , the instrument requires recalibration or repair. Consult the manufacturer's instruction manual.

8. Sampling

8.1 Samples from shipments shall be taken in accordance with Practice D4296, and shall be free of foreign substances. Thoroughly mix the sample before removing a representative portion for the determination or for dehydration.

8.2 If a solid bulk sample contains free water, air-dry a representative portion in a forced draft oven at 50°C.

8.3 If the sample is liquid, check for any surface foam which may indicate the presence of water. If foam is found, maintain the sample at a temperature of about 125°C in an open container until the surface is free of foam. Take care not to overheat. Remove from the heat source as soon as the foam has subsided. Proceed as directed in 8.4.2.

8.4 Filling the Sample Cup:

8.4.1 Crush air-dry lumps of pitch to a size of 6 to 12 mm. Add the material to a container, having a height equal to or exceeding its width, and having a volume of not less than 50 mL, until it is about half full. Place the container on a hot plate, or in an oven or a bath. Do not use an open flame to melt pitch. After melting is complete, stir gently but thoroughly, avoiding incorporation of air bubbles. The maximum temperature of the