
**Machine tools — Dimensions and
geometric tests for self-centring chucks
with two-piece jaws —**

Part 1:

**Manually operated chucks with tongue
and groove type jaws**

iTeh STANDARD PREVIEW

(standards.iteh.ai)

Machines-outils — Dimensions et essais géométriques pour mandrins à serrage concentrique et à mors rapportés —

*Partie 1: Mandrins à commande manuelle avec mors à assemblage
cruciforme par tenon et languette*



PDF disclaimer

This PDF file may contain embedded typefaces. In accordance with Adobe's licensing policy, this file may be printed or viewed but shall not be edited unless the typefaces which are embedded are licensed to and installed on the computer performing the editing. In downloading this file, parties accept therein the responsibility of not infringing Adobe's licensing policy. The ISO Central Secretariat accepts no liability in this area.

Adobe is a trademark of Adobe Systems Incorporated.

Details of the software products used to create this PDF file can be found in the General Info relative to the file; the PDF-creation parameters were optimized for printing. Every care has been taken to ensure that the file is suitable for use by ISO member bodies. In the unlikely event that a problem relating to it is found, please inform the Central Secretariat at the address given below.

iTeh STANDARD PREVIEW
(standards.iteh.ai)

ISO 3442-1:2005

<https://standards.iteh.ai/catalog/standards/sist/b1266fa6-647c-47ae-a958-5c93b2d72510/iso-3442-1-2005>

© ISO 2005

All rights reserved. Unless otherwise specified, no part of this publication may be reproduced or utilized in any form or by any means, electronic or mechanical, including photocopying and microfilm, without permission in writing from either ISO at the address below or ISO's member body in the country of the requester.

ISO copyright office
Case postale 56 • CH-1211 Geneva 20
Tel. + 41 22 749 01 11
Fax + 41 22 749 09 47
E-mail copyright@iso.org
Web www.iso.org

Published in Switzerland

Contents

Page

Foreword.....	iv
1 Scope	1
2 Normative references	1
3 Preliminary remarks	1
3.1 Measurement units	1
3.2 Geometric tests	1
4 Accuracy classes	1
5 Sizes for interchangeability	2
6 Geometric tests	3
6.1 Spindle or face plate accuracy	3
6.2 Geometric tests and relevant tolerances for manually operated chucks	6
Bibliography	11

iTeh STANDARD PREVIEW
(standards.iteh.ai)

ISO 3442-1:2005

<https://standards.iteh.ai/catalog/standards/sist/b1266fa6-647c-47ae-a958-5c93b2d72510/iso-3442-1-2005>

Foreword

ISO (the International Organization for Standardization) is a worldwide federation of national standards bodies (ISO member bodies). The work of preparing International Standards is normally carried out through ISO technical committees. Each member body interested in a subject for which a technical committee has been established has the right to be represented on that committee. International organizations, governmental and non-governmental, in liaison with ISO, also take part in the work. ISO collaborates closely with the International Electrotechnical Commission (IEC) on all matters of electrotechnical standardization.

International Standards are drafted in accordance with the rules given in the ISO/IEC Directives, Part 2.

The main task of technical committees is to prepare International Standards. Draft International Standards adopted by the technical committees are circulated to the member bodies for voting. Publication as an International Standard requires approval by at least 75 % of the member bodies casting a vote.

Attention is drawn to the possibility that some of the elements of this document may be the subject of patent rights. ISO shall not be held responsible for identifying any or all such patent rights.

ISO 3442-1 was prepared by Technical Committee ISO/TC 39, *Machine tools*, Subcommittee SC 8, *Work holding spindles and chucks*.

Together with ISO 3442-2 and ISO 3442-3, this first edition of ISO 3442-1 cancels and replaces ISO 3442:1991 and ISO 9401:1991. ISO/TC 39/SC 8 decided to split ISO 3442:1991 into three parts, at the same time incorporating ISO 9401:1991. As soon as all three parts of ISO 3442 are published, ISO 3442:1991 and ISO 9401:1991 will be withdrawn.

ISO 3442 consists of the following parts, under the general title *Machine tools — Dimensions and geometric tests for self-centring chucks with two-piece jaws*:

- *Part 1: Manually operated chucks with tongue and groove type jaws*
- *Part 2: Power-operated chucks with tongue and groove type jaws*
- *Part 3: Power-operated chucks with serrated jaws*

Machine tools — Dimensions and geometric tests for self-centring chucks with two-piece jaws —

Part 1: Manually operated chucks with tongue and groove type jaws

1 Scope

This part of ISO 3442 specifies the sizes for interchangeability of self-centring, manually operated chucks with two-piece jaws (tongue and groove type) and describes, by reference to ISO 230-1, the geometric tests for such chucks. It also specifies the tolerances which apply to these tests.

2 Normative references

The following referenced documents are indispensable for the application of this document. For dated references, only the edition cited applies. For undated references, the latest edition of the referenced document (including any amendments) applies.

ISO 230-1:1996, *Test code for machine tools — Part 1: Geometric accuracy of machines operating under no-load or finishing conditions*
<http://standards.iteh.ai/catalog/standards/sist/b1266fa6-647c-47ae-a958-5c93b2d72510/iso-3442-1-2005>

3 Preliminary remarks

3.1 Measurement units

All dimensions and tolerances in this part of ISO 3442 are expressed in millimetres.

3.2 Geometric tests

This part of ISO 3442 deals only with the verification of the rotational accuracy of the chuck and the positioning of the assembling elements of the top jaws. It does not apply to other dynamic considerations, such as measurement of lack of balance during rotation, balancing or measurement of gripping power.

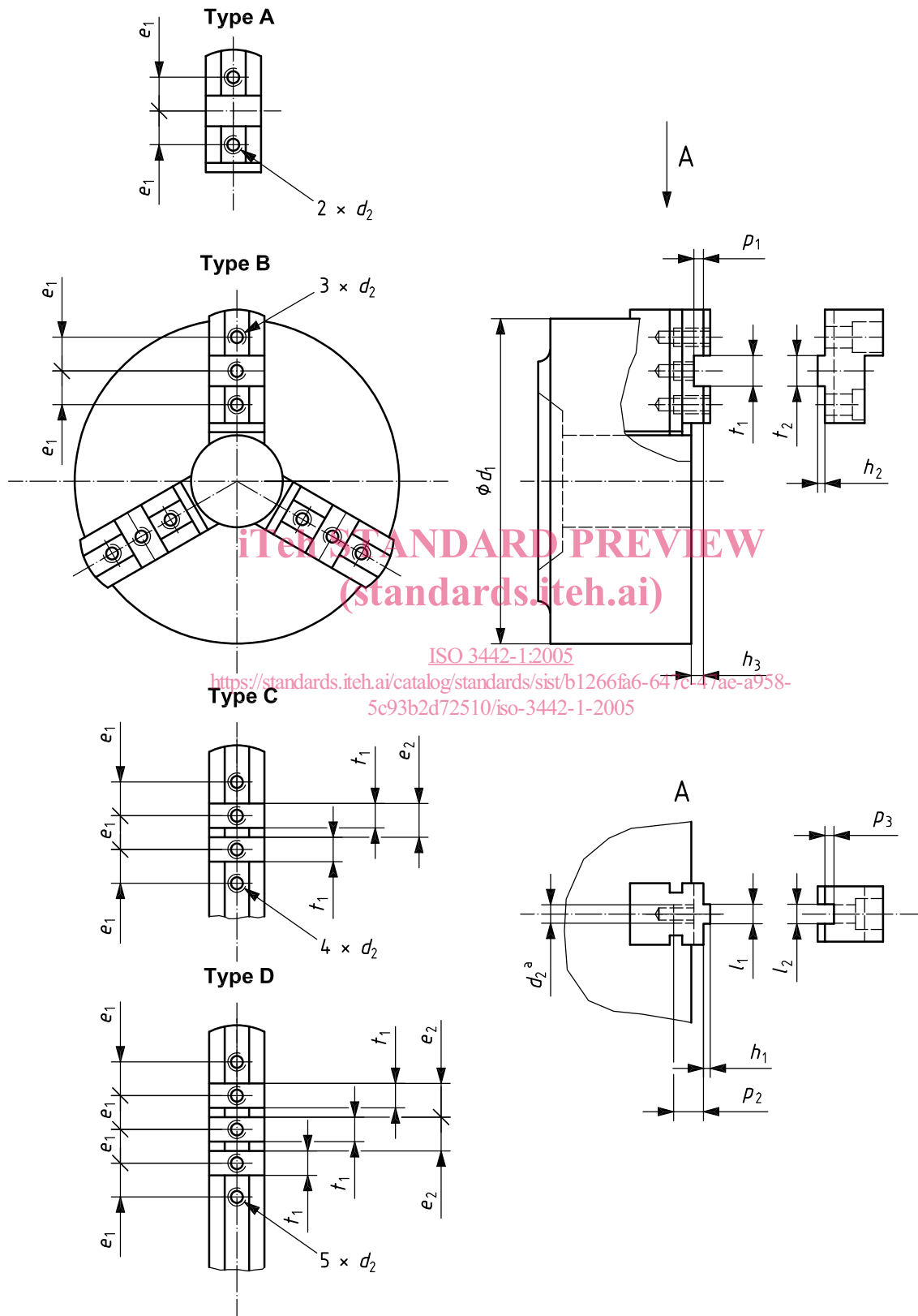
The main purpose of these tests is to allow either top jaw mounting compatible with the machining accuracy of the chuck or precise setting for top jaws on the chuck after carrying out preliminary centring, straightening or locking operations on a jig separate from the machine.

4 Accuracy classes

This part of ISO 3442 specifies only one accuracy class.

5 Sizes for interchangeability

The sizes for interchangeability of manually operated chucks are shown in Figure 1 and given in Table 1.



a Threaded holes (see Table 1).

Figure 1 — Tongue and groove jaws

Table 1 — Dimensions of manually operated chucks

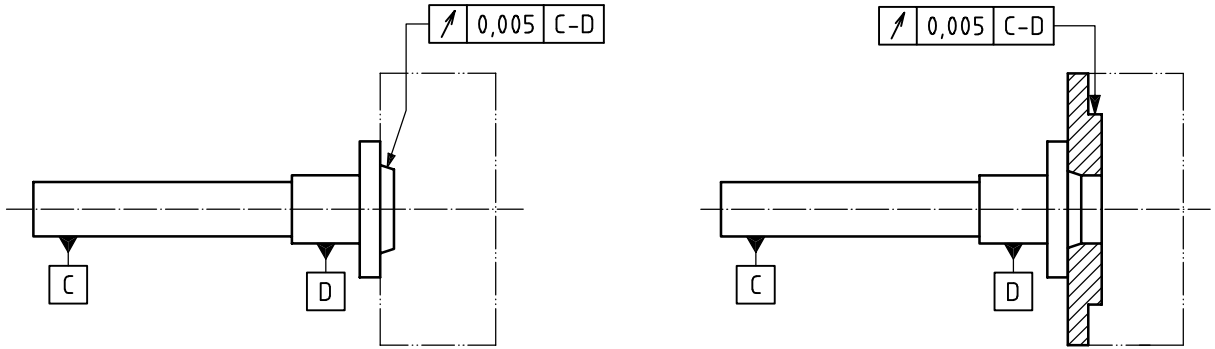
Nominal diameter of chuck $d_{1\text{nom}}$	100	125	160	200	250	315	400	500	630	800
Type	A	A	A	A	A	B	B	C	D	D
$d_1 \pm 5\%$	100	125	160	200	250	315	400	500	630	800
Base or master jaw										
d_2	M6	M8	M10	M10	M12	M12	M16	M20	M20	M20
$e_1 \pm 0,15$	9,5	11,1	19	22,2	27	31,75	38,1	38,1	38,1	38,1
e_2	—	—	—	—	—	—	—	38,1	38,1	38,1
h_1	2,2	2,2	3	3	3	3	3	3	3	3
h_3 min.	4	4	5	5	5	5	8	8	8	8
l_1 h9	6,35	6,35	7,94	7,94	12,7	12,7	12,7	12,7	12,7	12,7
p_1	3,2	3,2	4	4	4	4	7	7	7	7
p_2	9	13	18	18	20	20	28	33	33	33
t_1 H8	7,94	7,94	12,675	12,675	19,025	19,025	19,025	19,025	19,025	19,025
Top jaw										
h_2	2,2	2,2	3	3	3	3	6	6	6	6
l_2 E9	6,35	6,35	7,94	7,94	12,7	12,7	12,7	12,7	12,7	12,7
p_3	3,2	3,2	4	4	4	4	4	4	4	4
t_2 h8	7,94	7,94	12,675	12,675	19,025	19,025	19,025	19,025	19,025	19,025

ISO 3442-1:2005

6 Geometric tests <https://standards.iteh.ai/catalog/standards/sist/b1266fa6-647c-47ac-a958-5c93b2d72510/iso-3442-1-2005>

6.1 Spindle or face plate accuracy

Since some of the geometric tests to be carried out involve chuck rotation, the chuck should be mounted on a test spindle, either directly or by means of a face plate. The radial run-out of the outer surface of the test spindle or face plate and camming at any point on its face shall have been previously checked as in G01 and G02.

<p>Object</p> <p>Checking radial run-out of spindle nose or face plate.</p>	<p>G01</p>
<p>Diagram</p> 	
<p>Tolerance</p> <p style="text-align: center;">0,005</p>	
<p>Measured deviation</p> <p style="text-align: center;">(standards.iteh.ai)</p>	
<p>Measurement instruments</p> <p style="text-align: center;">ISO 3442-1:2005 https://standards.iteh.ai/catalog/standards/sist/b1266fa6-647c-47ae-a958-5c93b2d72510/iso-3442-1-2005</p> <p>Dial gauge.</p>	
<p>References to ISO 230-1:1996 and observations</p> <p style="text-align: right;">5.611.4 and 5.612.2</p> <p>In the case of a tapered spindle nose, the stylus of the dial gauge shall be set normal to the surface which is to be checked.</p>	

<p>Object</p> <p>Checking camming of spindle nose or face plate.</p>	<p>G02</p>
<p>Diagram</p>	
<p>Tolerance</p> <p style="text-align: center;">0,005</p>	
<p>Measured deviation</p> <p style="text-align: center;">iTeh STANDARD PREVIEW (standards.iteh.ai)</p> <p style="text-align: center;">https://standards.iteh.ai/catalog/standards/sist/b1266fa6-647c-47ae-a958-5c93b2d72510/iso-3442-1-2005</p>	
<p>Measurement instruments</p> <p>Dial gauge.</p>	
<p>References to ISO 230-1:1996 and observations</p> <p style="text-align: right;">5.63</p>	