



**SLOVENSKI STANDARD**  
**SIST EN 15939:2012/kFprA1:2013**  
**01-julij-2013**

---

**Pohištveno okovje - Trdnost in nosilnost stenskih omaric - Dopolnilo A1**

Hardware for furniture - Strength and loading capacity of wall attachment devices

Möbelbeschläge - Festigkeit und Tragfähigkeit von Schrankaufhängern

Quincaillerie d'ameublement - Résistance mécanique et capacité de charge des dispositifs de fixation au mur

**Ta slovenski standard je istoveten z: EN 15939:2011/FprA1**

---

**ICS:**

97.140          Pohištvo                          Furniture

**SIST EN 15939:2012/kFprA1:2013**          en,fr,de



EUROPEAN STANDARD  
NORME EUROPÉENNE  
EUROPÄISCHE NORM

**FINAL DRAFT**  
**EN 15939:2011**

**FprA1**

June 2013

---

ICS 97.140

English Version

## Hardware for furniture - Strength and loading capacity of wall attachment devices

Quincaillerie d'ameublement - Résistance mécanique et capacité de charge des dispositifs de fixation au mur

Möbelbeschläge - Festigkeit und Tragfähigkeit von Schrankaufhängern

This draft amendment is submitted to CEN members for unique acceptance procedure. It has been drawn up by the Technical Committee CEN/TC 207.

This draft amendment A1, if approved, will modify the European Standard EN 15939:2011. If this draft becomes an amendment, CEN members are bound to comply with the CEN/CENELEC Internal Regulations which stipulate the conditions for inclusion of this amendment into the relevant national standard without any alteration.

This draft amendment was established by CEN in three official versions (English, French, German). A version in any other language made by translation under the responsibility of a CEN member into its own language and notified to the CEN-CENELEC Management Centre has the same status as the official versions.

CEN members are the national standards bodies of Austria, Belgium, Bulgaria, Croatia, Cyprus, Czech Republic, Denmark, Estonia, Finland, Former Yugoslav Republic of Macedonia, France, Germany, Greece, Hungary, Iceland, Ireland, Italy, Latvia, Lithuania, Luxembourg, Malta, Netherlands, Norway, Poland, Portugal, Romania, Slovakia, Slovenia, Spain, Sweden, Switzerland, Turkey and United Kingdom.

Recipients of this draft are invited to submit, with their comments, notification of any relevant patent rights of which they are aware and to provide supporting documentation.

**Warning** : This document is not a European Standard. It is distributed for review and comments. It is subject to change without notice and shall not be referred to as a European Standard.



EUROPEAN COMMITTEE FOR STANDARDIZATION  
COMITÉ EUROPÉEN DE NORMALISATION  
EUROPÄISCHES KOMITEE FÜR NORMUNG

**Management Centre: Avenue Marnix 17, B-1000 Brussels**

---

## Contents

	Page
Foreword.....	3
1 <b>Modification to Foreword</b> .....	4
2 <b>Modification to Clause 2</b> .....	4
3 <b>Modifications to Clause 3</b> .....	4
4 <b>Modification to Clause 4</b> .....	4
5 <b>Modifications to Clause 5</b> .....	5
6 <b>Modifications to Clause 6</b> .....	7
7 <b>Modifications to Annex B</b> .....	8

## Foreword

This document (EN 15939:2011/FprA1:2013) has been prepared by Technical Committee CEN/TC 207 "Furniture", the secretariat of which is held by UNI.

This document is currently submitted to the Unique Acceptance Procedure.

## EN 15939:2011/FprA1:2013 (E)

## 1 Modification to Foreword

Modify the last paragraph to include Former Yugoslav Republic of Macedonia and Turkey as follows:

"According to the CEN/CENELEC Internal Regulations, the national standards organizations of the following countries are bound to implement this European Standard: Austria, Belgium, Bulgaria, Croatia, Cyprus, Czech Republic, Denmark, Estonia, Finland, Former Yugoslav Republic of Macedonia, France, Germany, Greece, Hungary, Iceland, Ireland, Italy, Latvia, Lithuania, Luxembourg, Malta, Netherlands, Norway, Poland, Portugal, Romania, Slovakia, Slovenia, Spain, Sweden, Switzerland, Turkey and the United Kingdom."

## 2 Modification to Clause 2

Replace

"The following referenced documents are indispensable for the application of this document. For dated references, only the edition cited applies. For undated references, the latest edition of the referenced document (including any amendments) applies."

with

"The following documents, in whole or in part, are normatively referenced in this document and are indispensable for its application. For dated references, only the edition cited applies. For undated references, the latest edition of the referenced document (including any amendments) applies."

## 3 Modifications to Clause 3

Replace definition 3.2 with the following one:

"3.2

### wall attachment device

device including the component that is attached to the cabinet (e.g. suspension bracket) and the wall part, i.e. the component that is attached to the wall (e.g. hook, rail)"

## 4 Modification to Clause 4

Replace Figure 1 in 4.2.8 with the following:

"

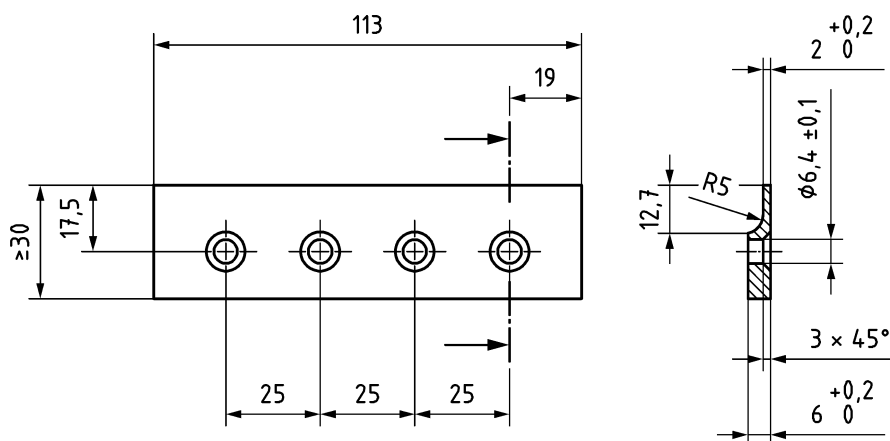


Figure 1 — Non-commercial wall part"

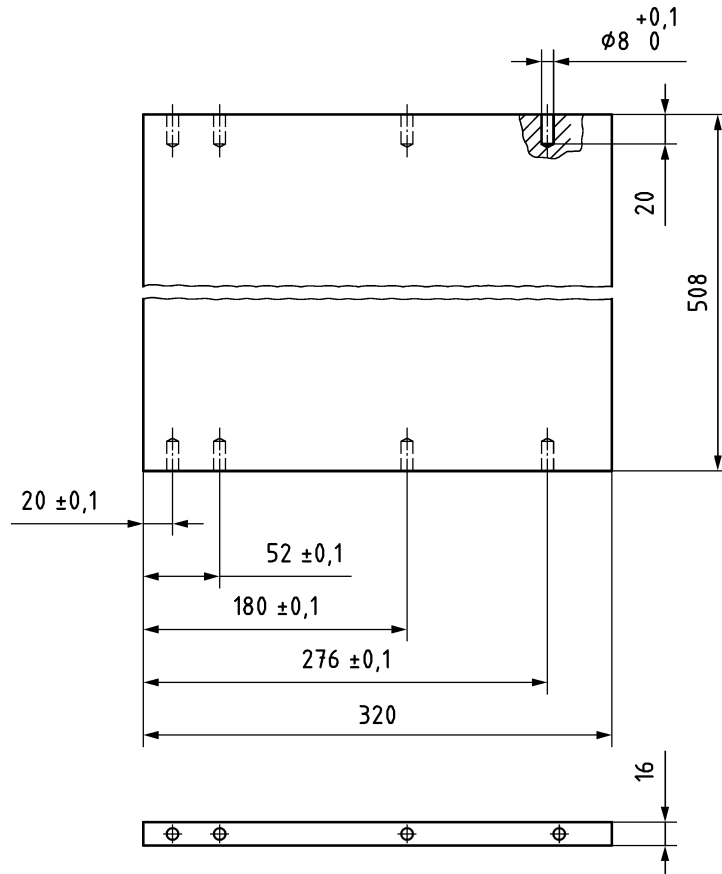
## 5 Modifications to Clause 5

Replace list item c) with the following one:

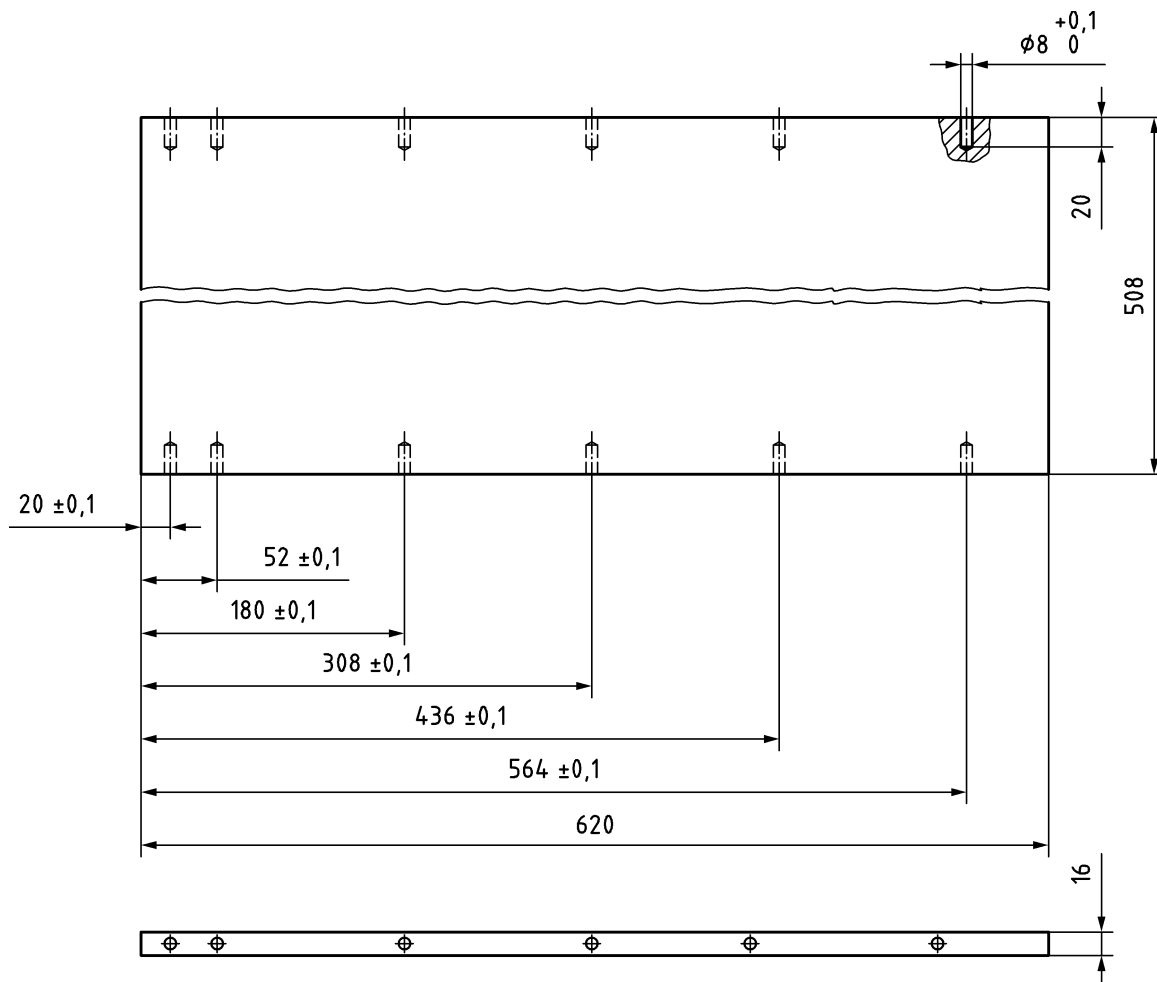
“c) the bottom panel shall be reference particle board, thickness  $22 \text{ mm} \pm 0,3 \text{ mm}$  (see Table 1); for test frame B, the bottom panel consists of two parts;”

Replace Figures 3 a), 3 b) and 4 a) with the following ones:

”



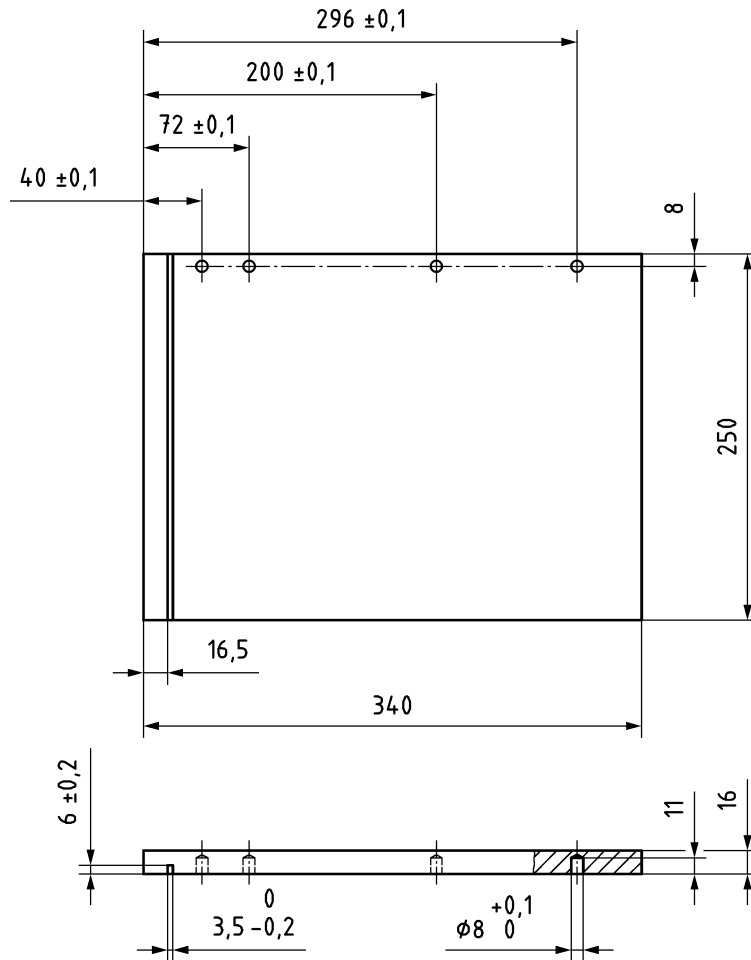
a) Top panel A



b) Top panel B

Figure 3 — Top panel, drillings





a) Right side panel A (left side panel A laterally reversed)"

## 6 Modifications to Clause 6

Replace the 2<sup>nd</sup> sentence of the 3<sup>rd</sup> paragraph in 6.1 with the following:

"The unit shall then be levelled by means of distance devices (4.2.7) placed as low and as far apart as possible (see Figure 5)."

Replace Figure 6 b) with the following one: