



# SLOVENSKI STANDARD

## SIST EN 4165-018:2015

01-oktober-2015

Nadomešča:

SIST EN 4165-018:2008

---

**Aeronavtika - Konektorji, električni, pravokotni, modularni - Stalna delovna temperatura 175 °C - 018. del: Zaščitna kapa z dvema in štirimi moduli, seriji 2 in 3 - Standard za proizvod**

Aerospace series - Connectors, electrical, rectangular, modular - Operating temperature 175 °C continuous - Part 018: Protective cover for all receptacles series 2 - Product standard

**iTeh STANDARD PREVIEW**

(standards.iteh.ai)

Luft- und Raumfahrt - Elektrischer Rechtecksteckverbinder in modularer Bauweise - Betriebstemperatur 175 °C konstant - Teil 018: Schutzkappe für Steckdose, Serie 2 - Produktnorm

[SIST EN 4165-018:2015](https://standards.iteh.ai/catalog/standards/sist/59b72218-9ac3-4bc5-88b6-8885f5117fa5/sist-en-4165-018-2015)

<https://standards.iteh.ai/catalog/standards/sist/59b72218-9ac3-4bc5-88b6-8885f5117fa5/sist-en-4165-018-2015>

Série aérospatiale - Connecteurs électriques rectangulaires modulaires - Température d'utilisation 175 °C - Partie 018 : Bouchon de vol pour toutes les embases série 2 - Norme de produit

**Ta slovenski standard je istoveten z: EN 4165-018:2015**

---

**ICS:**

49.060

Letalska in vesoljska  
električna oprema in sistemi

Aerospace electric  
equipment and systems

**SIST EN 4165-018:2015**

**en,fr,de**

**iTeh STANDARD PREVIEW**  
**(standards.iteh.ai)**

[SIST EN 4165-018:2015](#)

<https://standards.iteh.ai/catalog/standards/sist/59b72218-9ac3-4bc5-88b6-8885f5117fa5/sist-en-4165-018-2015>

EUROPEAN STANDARD

EN 4165-018

NORME EUROPÉENNE

EUROPÄISCHE NORM

July 2015

ICS 49.060

Supersedes EN 4165-018:2007

English Version

**Aerospace series - Connectors, electrical, rectangular, modular -  
Operating temperature 175 °C continuous - Part 018: Protective  
cover for all receptacles series 2 - Product standard**

Série aérospatiale - Connecteurs électriques rectangulaires  
modulaires - Température d'utilisation 175 °C continu -  
Partie 018 : Bouchon de vol pour toutes les embases série  
2 - Norme de produit

Luft- und Raumfahrt - Elektrischer Rechtecksteckverbinder  
in modularer Bauweise - Betriebstemperatur 175 °C  
konstant - Teil 018: Schutzkappe für Steckdose, Serie 2 -  
Produktnorm

This European Standard was approved by CEN on 5 March 2015.

CEN members are bound to comply with the CEN/CENELEC Internal Regulations which stipulate the conditions for giving this European Standard the status of a national standard without any alteration. Up-to-date lists and bibliographical references concerning such national standards may be obtained on application to the CEN-CENELEC Management Centre or to any CEN member.

This European Standard exists in three official versions (English, French, German). A version in any other language made by translation under the responsibility of a CEN member into its own language and notified to the CEN-CENELEC Management Centre has the same status as the official versions.

CEN members are the national standards bodies of Austria, Belgium, Bulgaria, Croatia, Cyprus, Czech Republic, Denmark, Estonia, Finland, Former Yugoslav Republic of Macedonia, France, Germany, Greece, Hungary, Iceland, Ireland, Italy, Latvia, Lithuania, Luxembourg, Malta, Netherlands, Norway, Poland, Portugal, Romania, Slovakia, Slovenia, Spain, Sweden, Switzerland, Turkey and United Kingdom.



EUROPEAN COMMITTEE FOR STANDARDIZATION  
COMITÉ EUROPÉEN DE NORMALISATION  
EUROPÄISCHES KOMITEE FÜR NORMUNG

**CEN-CENELEC Management Centre: Avenue Marnix 17, B-1000 Brussels**

## Contents

	Page
European foreword .....	3
1 Scope .....	4
2 Normative references .....	4
3 Terms and definitions .....	4
4 Required characteristics .....	4
5 Protective cover .....	5
6 Designation .....	8
7 Marking .....	9
8 Technical specification .....	9

## iTeh STANDARD PREVIEW (standards.iteh.ai)

[SIST EN 4165-018:2015](https://standards.iteh.ai/catalog/standards/sist/59b72218-9ac3-4bc5-88b6-8885f5117fa5/sist-en-4165-018-2015)

<https://standards.iteh.ai/catalog/standards/sist/59b72218-9ac3-4bc5-88b6-8885f5117fa5/sist-en-4165-018-2015>

## European foreword

This document (EN 4165-018:2015) has been prepared by the Aerospace and Defence Industries Association of Europe - Standardization (ASD-STAN).

After enquiries and votes carried out in accordance with the rules of this Association, this Standard has received the approval of the National Associations and the Official Services of the member countries of ASD, prior to its presentation to CEN.

This European Standard shall be given the status of a national standard, either by publication of an identical text or by endorsement, at the latest by January 2016, and conflicting national standards shall be withdrawn at the latest by January 2016.

Attention is drawn to the possibility that some of the elements of this document may be the subject of patent rights. CEN [and/or CENELEC] shall not be held responsible for identifying any or all such patent rights.

This document supersedes EN 4165-018:2007.

According to the CEN-CENELEC Internal Regulations, the national standards organizations of the following countries are bound to implement this European Standard: Austria, Belgium, Bulgaria, Croatia, Cyprus, Czech Republic, Denmark, Estonia, Finland, Former Yugoslav Republic of Macedonia, France, Germany, Greece, Hungary, Iceland, Ireland, Italy, Latvia, Lithuania, Luxembourg, Malta, Netherlands, Norway, Poland, Portugal, Romania, Slovakia, Slovenia, Spain, Sweden, Switzerland, Turkey and the United Kingdom.

(standards.iteh.ai)

[SIST EN 4165-018:2015](https://standards.iteh.ai/catalog/standards/sist/59b72218-9ac3-4bc5-88b6-8885f5117fa5/sist-en-4165-018-2015)

<https://standards.iteh.ai/catalog/standards/sist/59b72218-9ac3-4bc5-88b6-8885f5117fa5/sist-en-4165-018-2015>

**EN 4165-018:2015 (E)****1 Scope**

This European Standard defines the protective cover for all receptacles series 2 used in the family of rectangular electrical connectors.

The connector accessory bodies corresponding to those protective covers are defined in EN 4165-004, EN 4165-011 and EN 4165-025.

**2 Normative references**

The following documents, in whole or in part, are normatively referenced in this document and are indispensable for its application. For dated references, only the edition cited applies. For undated references, the latest edition of the referenced document (including any amendments) applies.

EN 2424, *Aerospace series — Marking of aerospace products*

EN 4165-001, *Aerospace series — Connectors, electrical, rectangular, modular — Operating temperature 175 °C continuous — Part 001: Technical specification*

EN 4165-002, *Aerospace series — Connectors, electrical, rectangular, modular — Operating temperature 175 °C continuous — Part 002: Specification of performance and contact arrangements*

EN 4165-004, *Aerospace series — Connectors, electrical, rectangular, modular — Operating temperature 175 °C continuous — Part 004: Stackable mounting receptacle 2 and 4 modules, series 2 — Product standard*

EN 4165-011, *Aerospace series — Connectors, electrical, rectangular, modular — Operating temperature 175 °C continuous — Part 011: Flange mounting receptacle 2 and 4 modules, series 2 — Product standard.*

EN 4165-025, *Aerospace series — Connectors, electrical, rectangular, modular — Operating temperature 175 °C continuous — Part 025: Module receptacle — Product Standard*

<https://standards.iteh.ai/catalog/standards/sist/59b72218-9ac3-4bc5-88b6-8885f5117fa5/sist-en-4165-018-2015>

**3 Terms and definitions**

For the purposes of this document, the terms and definitions given in EN 4165-001 apply.

**4 Required characteristics**

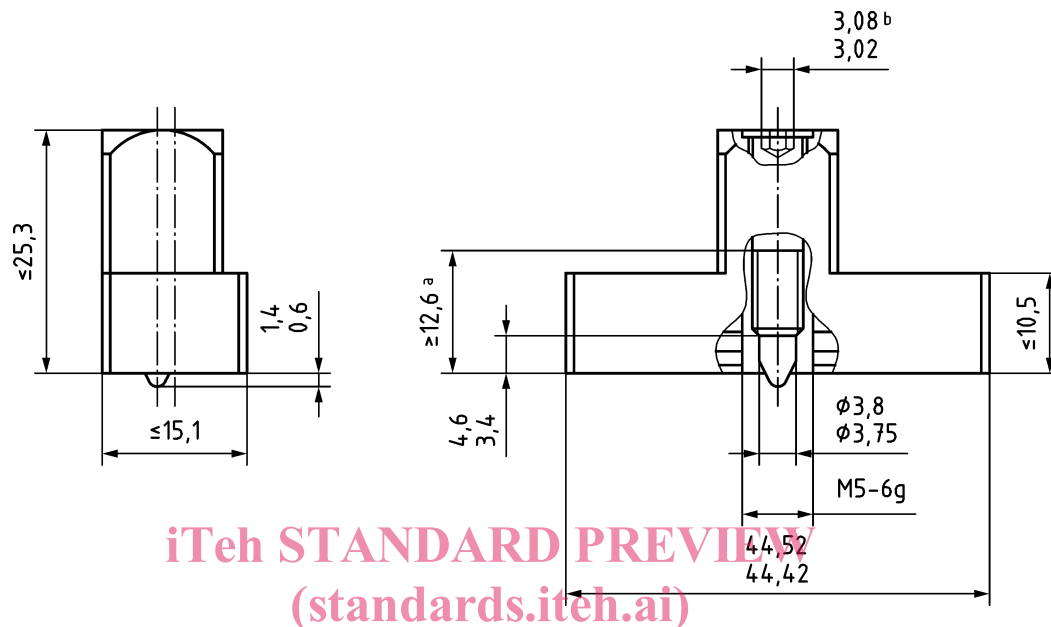
See Figure 1 for 2 modules, Figure 2 for 4 modules and Figure 3 for single module.

## 5 Protective cover

### 5.1 For 2 modules, classes W and F

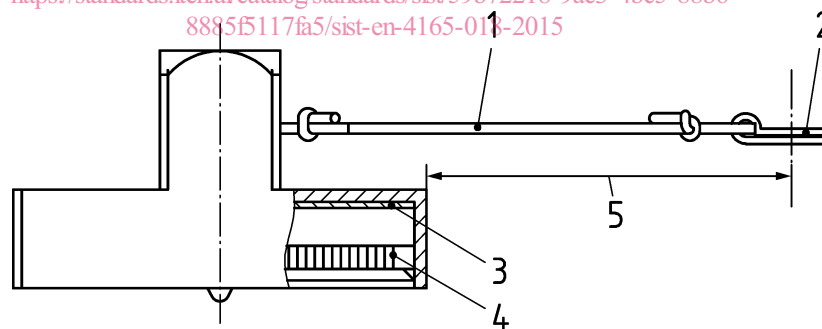
Mass max. = 18,5 g

Dimensions in millimetres



- <sup>a</sup> active thread  
<sup>b</sup> hexagonal drive

SIST EN 4165-018:2015  
<https://standards.iteh.ai/catalog/standards/sist/59b72218-9ac3-4bc5-88b6-8885f5117fa5/sist-en-4165-018-2015>



#### Key

- 1 Unlosable cord
- 2 Eyelet (hole diameter min. = 3,4 mm, hole diameter max. = 4,5 mm)
- 3 Seal
- 4 Shield device
- 5 Cord length

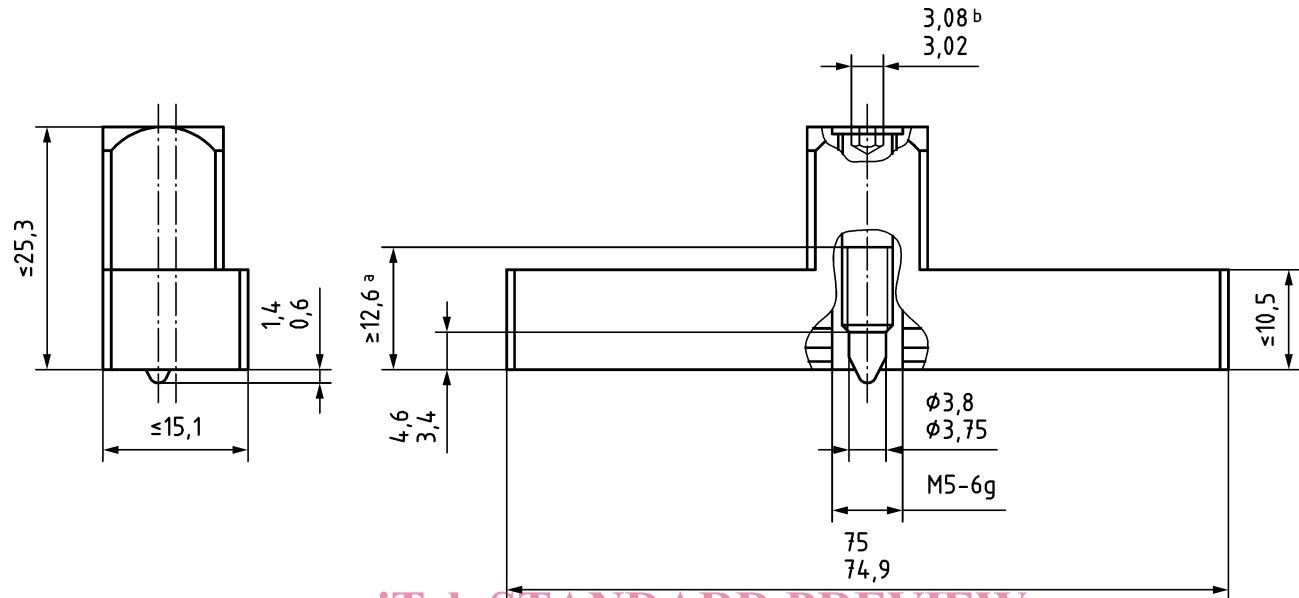
Figure 1 — Protective cover for 2 modules

## EN 4165-018:2015 (E)

## 5.2 For 4 modules, classes W and F

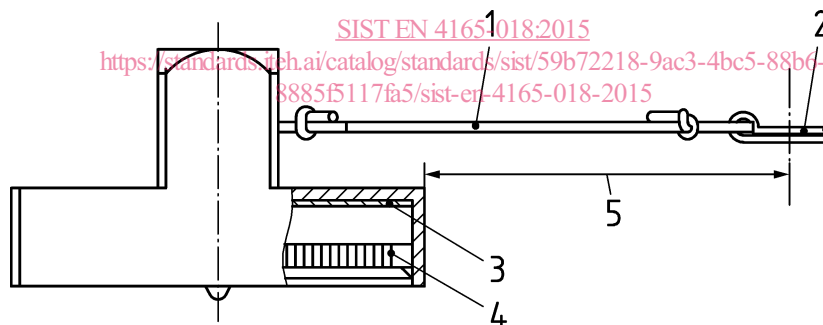
Mass max. = 22 g

Dimensions in millimetres



- <sup>a</sup> active thread  
<sup>b</sup> hexagonal drive

iTeh STANDARD PREVIEW  
 (standards.iteh.ai)



## Key

- 1 Unlosable cord
- 2 Eyelet (hole diameter min. = 3,4 mm, hole diameter max. = 4,5 mm)
- 3 Seal
- 4 Shield device
- 5 Cord length

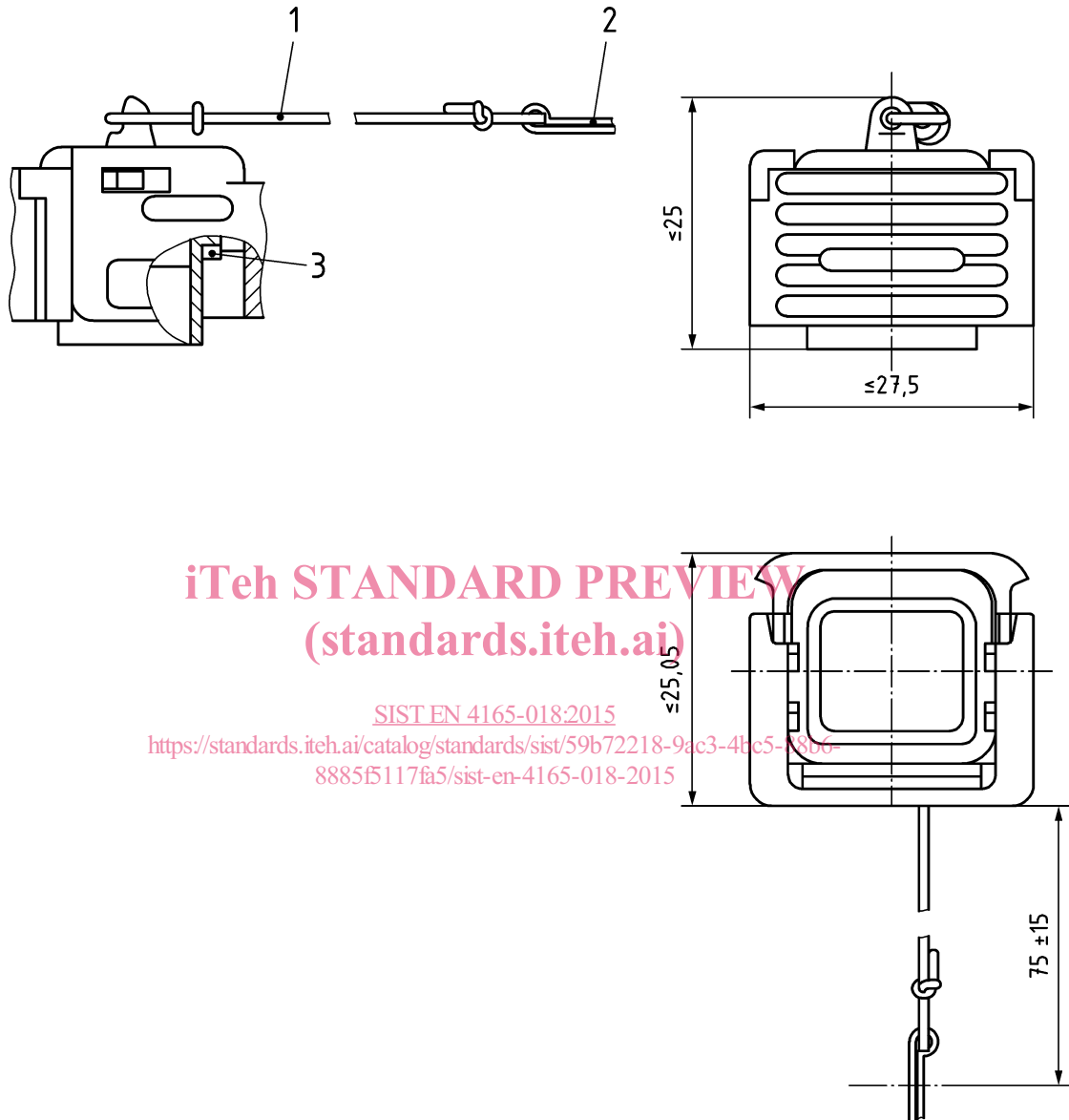
Figure 2 — Protective cover for 4 modules



### 5.3 For single module

Mass max. = 11 g

Dimensions in millimetres



SIST EN 4165-018:2015  
<https://standards.iteh.ai/catalog/standards/sist/59b72218-9ac3-41c5-8866-8885f5117fa5/sist-en-4165-018-2015>

#### Key

- 1 Unlosable cord
- 2 Eyelet (hole diameter min. = 3 mm, hole diameter max. = 4,5 mm)
- 3 Seal

Figure 3 — Protective cover for single module