



SLOVENSKI STANDARD
SIST EN 13451-3:2011/kFprA2:2013
01-november-2013

Oprema za plavalne bazene - 3. del: Dodatne posebne varnostne zahteve in preskusne metode za bazenski pribor za pripravo vode

Swimming pool equipment - Part 3: Additional specific safety requirements and test methods for inlets and outlets and water/air based water leisure features

Schwimmbadgeräte - Teil 3: Zusätzliche besondere sicherheitstechnische Anforderungen und Prüfverfahren für Ein- und Ausläufe sowie Wasser-Luftattraktionen

Équipement de piscine - Partie 3: Exigences de sécurité et méthodes d'essai complémentaires propres aux pièces d'aspiration et de refoulement et aux équipements de loisirs aquatiques disposant d'introduction et d'extraction d'eau/d'air

Ta slovenski standard je istoveten z: EN 13451-3:2011/FprA2

ICS:

97.220.10 Športni objekti Sports facilities

SIST EN 13451-3:2011/kFprA2:2013 en,fr,de

EUROPEAN STANDARD
NORME EUROPÉENNE
EUROPÄISCHE NORM

FINAL DRAFT
EN 13451-3:2011

FprA2

September 2013

ICS 97.220.10

English Version

Swimming pool equipment - Part 3: Additional specific safety requirements and test methods for inlets and outlets and water/air based water leisure features

Équipement de piscine - Partie 3: Exigences de sécurité et méthodes d'essai complémentaires propres aux pièces d'aspiration et de refoulement et aux équipements de loisirs aquatiques disposant d'introduction et d'extraction d'eau/d'air

Schwimmbadgeräte - Teil 3: Zusätzliche besondere sicherheitstechnische Anforderungen und Prüfverfahren für Ein- und Ausläufe sowie Wasser-Luftattraktionen

This draft amendment is submitted to CEN members for unique acceptance procedure. It has been drawn up by the Technical Committee CEN/TC 136.

This draft amendment A2, if approved, will modify the European Standard EN 13451-3:2011. If this draft becomes an amendment, CEN members are bound to comply with the CEN/CENELEC Internal Regulations which stipulate the conditions for inclusion of this amendment into the relevant national standard without any alteration.

This draft amendment was established by CEN in three official versions (English, French, German). A version in any other language made by translation under the responsibility of a CEN member into its own language and notified to the CEN-CENELEC Management Centre has the same status as the official versions.

CEN members are the national standards bodies of Austria, Belgium, Bulgaria, Croatia, Cyprus, Czech Republic, Denmark, Estonia, Finland, Former Yugoslav Republic of Macedonia, France, Germany, Greece, Hungary, Iceland, Ireland, Italy, Latvia, Lithuania, Luxembourg, Malta, Netherlands, Norway, Poland, Portugal, Romania, Slovakia, Slovenia, Spain, Sweden, Switzerland, Turkey and United Kingdom.

Recipients of this draft are invited to submit, with their comments, notification of any relevant patent rights of which they are aware and to provide supporting documentation.

Warning : This document is not a European Standard. It is distributed for review and comments. It is subject to change without notice and shall not be referred to as a European Standard.



EUROPEAN COMMITTEE FOR STANDARDIZATION
COMITÉ EUROPÉEN DE NORMALISATION
EUROPÄISCHES KOMITEE FÜR NORMUNG

Management Centre: Avenue Marnix 17, B-1000 Brussels

Contents		Page
Foreword.....		3
1	Modifications to 4.6.1	4
2	Modifications to 4.9.7	4
3	Modifications to 5.2.2.1	5
4	Modification to 5.2.6.1	5
5	Modification to 5.2.6.2.3	5
6	Modifications to A.2.....	5
7	Modification to the Bibliography.....	6

Foreword

This document (EN 13451-3:2011/FprA2:2013) has been prepared by Technical Committee CEN/TC 136 “Sports, playground and other recreational facilities and equipment”, the secretariat of which is held by DIN.

This document is currently submitted to the Unique Acceptance Procedure.

EN 13451-3:2011/FprA2:2013 (E)

1 Modifications to 4.6.1

Replace the first line of indent a) with the following:

"a) multiple suction outlet system designed in such a way that it contains:"

Replace indent b) with the following:

"b) in case of suction outlet systems with only one grille, the grille shall be designed in such a way that either"

Add "or" at the end of the indents below b), so that the text reads as follows:

"

- 1) one user cannot cover more than 50 % of the opening; or
- 2) raised grilles domed opposite to the flow direction, with prevalent peripheric suction. The height of the dome shall be at least 10 % of the main dimension. Obstruction tests are available (for an example see Annex A); or
- 3) single grilles with a surface of the area circumscribed to the suction openings $\geq 1 \text{ m}^2$ (see Figure 1).

"

2 Modifications to 4.9.7

Replace the 2nd paragraph with the following:

"Fountains, installed in a pool or on the pool surround, shall prevent users passing under them unless there is a clearance of 2 100 mm above any walking surface (see Figure 4). The possibility to reduce the 2 100 mm clearance for special areas, e.g. children pools, shall be subjected to a risk assessment."

Replace Figure 4 with the following:

Dimensions in millimetres

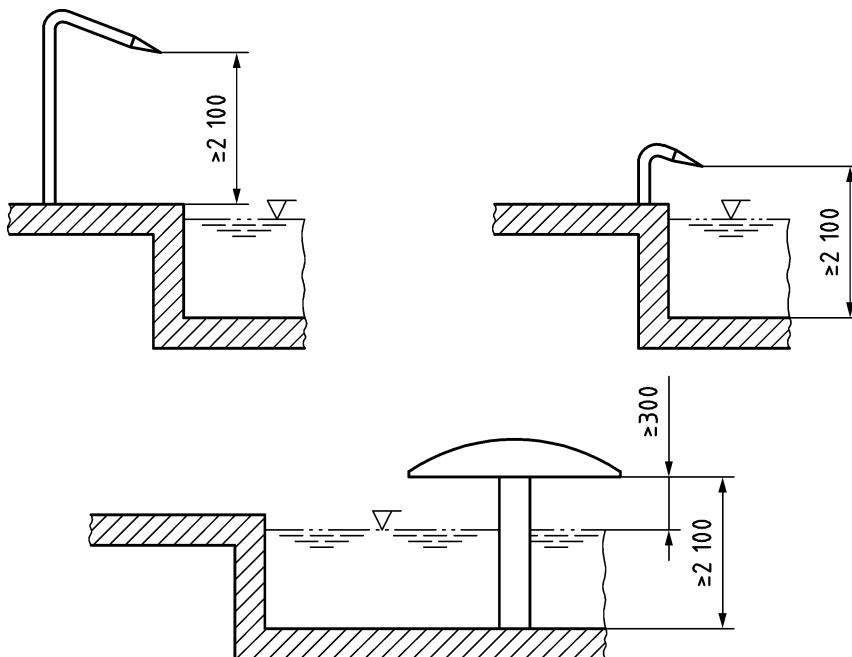


Figure 4 — Fountains — Vertical clearances

3 Modifications to 5.2.2.1

Replace the 2nd paragraph with the following:

"A point load machine readable to 22 N increments at a minimum equipped with a tool according to Figure 5. A tup speed of 5,0 mm/min to 6,5 mm/min shall be used.

Dimensions in millimetres

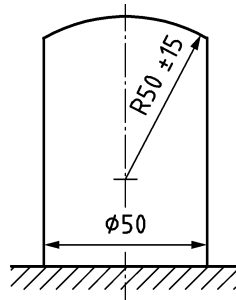


Figure 5 — Tool"

Modify the numbering of the former Figure 5 as Figure 6 and update the cross references throughout the text

4 Modification to 5.2.6.1

Add the following sentence at the end of the subclause.

"This is a progressive test as follows:"

5 Modification to 5.2.6.2.3

Move the 1st sentence to the end of this subclause.

6 Modifications to A.2

Replace the text above Figure A.1 with the following:

"A test device composed of a slab of closed cell elastomeric foam with the following characteristics:

- mechanical strength — relative distortion under compression in accordance with NFR 99-211, (60 ± 20) kPa at 50 %;
- density (80 ± 20) kg/m³;
- thickness 45₀⁺² mm;
- shape oval, made by overlapping two disks of radius 95 mm with their centres one radius apart and connecting them by their common tangents (see Figure A.1);"

Replace the first indent below Figure A.1 with the following:

"

- the mass of the test device shall be (2,8 ± 0,1) kg; the mass of the steel plate bellow should be adjusted to the mass of the foam slab in order to comply with the total mass value;"

EN 13451-3:2011/FprA2:2013 (E)

Add the unit "kg/m³" in the 2nd indent below Figure A.1, so that the text reads as follows:

"

- a steel plate of the same shape as the slab, with a thickness of about 10 mm; the purpose of this plate is to stiffen the test device and raise its average density to above 1 kg/m³ so that when the test device is submerged in water it exerts a downward vertical traction force of less than 5 N. The steel plate should be fitted with four eyebolts."

7 Modification to the Bibliography

Replace the reference to EN ISO 3386-1 with "NFR 99-211, Flexible cellular materials – Classification – Symbolisation – Characteristics".