



SLOVENSKI STANDARD

SIST EN 13361:2018

01-maj-2018

Nadomešča:
SIST EN 13361:2013

Geosintetične zapore - Zahtevane lastnosti pri gradnji rezervoarjev in nasipov

Geosynthetic barriers - Characteristics required for use in the construction of reservoirs and dams

Geosynthetische Dichtungsbahnen - Eigenschaften, die für die Anwendung beim Bau von Rückhaltebecken und Staudämmen erforderlich sind

(standards.iteh.ai)

Barrières géosynthétiques - Caractéristiques requises pour l'utilisation dans la construction des réservoirs et des barrages

<https://standards.iteh.ai/catalog/standards/sist/b213f02f-de10-4df6-b2f7-4b78588ee8bb/sist-en-13361-2018>

Ta slovenski standard je istoveten z: EN 13361:2018

ICS:

59.080.70	Geotekstilije	Geotextiles
91.100.50	Veziva. Tesnilni materiali	Binders. Sealing materials

SIST EN 13361:2018 en,fr,de

iTeh STANDARD PREVIEW
(standards.iteh.ai)

SIST EN 13361:2018

<https://standards.iteh.ai/catalog/standards/sist/b213f02f-de10-4df6-b2f7-4b78588ee8bb/sist-en-13361-2018>

EUROPEAN STANDARD

EN 13361

NORME EUROPÉENNE

EUROPÄISCHE NORM

March 2018

ICS 59.080.70; 91.100.50

Supersedes EN 13361:2013

English Version

Geosynthetic barriers - Characteristics required for use in the construction of reservoirs and dams

Géomembranes et géosynthétiques bentonitiques -
Caractéristiques requises pour l'utilisation dans la
construction des réservoirs et des barrages

Geosynthetische Dichtungsbahnen - Eigenschaften, die
für die Anwendung beim Bau von Rückhaltebecken
und Staudämmen erforderlich sind

This European Standard was approved by CEN on 23 October 2017.

CEN members are bound to comply with the CEN/CENELEC Internal Regulations which stipulate the conditions for giving this European Standard the status of a national standard without any alteration. Up-to-date lists and bibliographical references concerning such national standards may be obtained on application to the CEN-CENELEC Management Centre or to any CEN member.

This European Standard exists in three official versions (English, French, German). A version in any other language made by translation under the responsibility of a CEN member into its own language and notified to the CEN-CENELEC Management Centre has the same status as the official versions.

CEN members are the national standards bodies of Austria, Belgium, Bulgaria, Croatia, Cyprus, Czech Republic, Denmark, Estonia, Finland, Former Yugoslav Republic of Macedonia, France, Germany, Greece, Hungary, Iceland, Ireland, Italy, Latvia, Lithuania, Luxembourg, Malta, Netherlands, Norway, Poland, Portugal, Romania, Serbia, Slovakia, Slovenia, Spain, Sweden, Switzerland, Turkey and United Kingdom.



EUROPEAN COMMITTEE FOR STANDARDIZATION
COMITÉ EUROPÉEN DE NORMALISATION
EUROPÄISCHES KOMITEE FÜR NORMUNG

CEN-CENELEC Management Centre: Rue de la Science 23, B-1040 Brussels

Contents

Page

European foreword.....	3
Introduction	4
1 Scope	5
2 Normative references	5
3 Terms, definitions and abbreviations	8
3.1 Terms and definitions	8
3.2 Abbreviations	9
4 Characteristics and corresponding methods of test	10
4.1 General	10
4.2 Types of application	10
4.3 Relevant characteristics	14
4.4 Characteristics relevant to specific conditions of use	19
4.5 Release of dangerous substances	20
5 Assessment and verification of constancy of performance (AVCP)	20
5.1 General	20
5.2 Type testing	20
5.3 Factory production control (FPC)	24
Annex A (normative) Durability of geosynthetic barriers	33
A.1 General	33
A.2 Weathering	34
A.3 Products used with a service life up to 5 years	36
A.4 Other applications and service life of 25 and 50 years	36
A.5 Durability tests on GBR-P	42
A.6 Evaluation tests on GBR-P and GBR-C	49
A.7 Durability tests on GBR-B	49
A.8 Evaluation tests on GBR-B	54
Annex ZA (informative) Relationship of this European Standard with Regulation (EU) No. 305/2011	56
ZA.1 Scope and relevant characteristics	56
ZA.2 System of Assessment and Verification of Constancy of Performance (AVCP)	57
ZA.3 Assignment of AVCP tasks	58
Bibliography	59

European foreword

This document (EN 13361:2018) has been prepared by Technical Committee CEN/TC 189 “Geosynthetics”, the secretariat of which is held by NBN.

This document supersedes EN 13361:2013.

This European Standard shall be given the status of a national standard, either by publication of an identical text or by endorsement, at the latest by September 2018, and conflicting national standards shall be withdrawn at the latest by December 2019.

Attention is drawn to the possibility that some of the elements of this document may be the subject of patent rights. CEN [and/or CENELEC] shall not be held responsible for identifying any or all such patent rights.

This document has been prepared under a mandate given to CEN by the European Commission and the European Free Trade Association.

For relationship with Regulation (EU) No 305/2011, see informative Annex ZA, which is an integral part of this document.

The main changes with respect to the previous edition are listed below:

- the list of normative references has been updated;
- in 3.1 three terms have been added;
- in 3.2 list of abbreviations has been updated;
- in 4.3, Table 1, has been modified to comply with the modified mandate M/386 (inclusion of elongation in separation and filtration functions) and has been technically revised, all H-coded characteristics have been replaced by “A”;
- figures and keys have been revised;
- Clause 5 “Evaluation of conformity” has been superseded by new Clause 5 “Assessment and verification of constancy of performance (AVCP)”
- Annex A “Factory production control – Factory production control scheme” has been deleted;
- former Annex B “Durability” becomes Annex A, which has been totally revised;
- Annex ZA has been updated according to new template to fulfil requirements of CPR, also examples for CE-marking have been deleted.

According to the CEN-CENELEC Internal Regulations, the national standards organisations of the following countries are bound to implement this European Standard: Austria, Belgium, Bulgaria, Croatia, Cyprus, Czech Republic, Denmark, Estonia, Finland, Former Yugoslav Republic of Macedonia, France, Germany, Greece, Hungary, Iceland, Ireland, Italy, Latvia, Lithuania, Luxembourg, Malta, Netherlands, Norway, Poland, Portugal, Romania, Serbia, Slovakia, Slovenia, Spain, Sweden, Switzerland, Turkey and the United Kingdom.

Introduction

This document allows manufacturers to describe geosynthetic barriers on the basis of declared values for characteristics relevant to the intended use and if tested to the specified method. It also includes procedures for assessment and verification of constancy of performance (AVCP) including the factory production control. This document can also be used by designers, end-users and other interested parties as a tool to define relevant and appropriate characteristics for specifications. Tests for some non-mandated characteristics are still under study and will be included when the standard is revised.

The term “product” used in this document refers to a geosynthetic barrier, including polymeric geosynthetic barriers, clay geosynthetic barriers and bituminous geosynthetic barriers.

This document is part of a group of standards, addressing the requirements for geosynthetic barriers when used in a specific application.

Particular application cases can contain requirements about additional properties and – preferably standardized – test methods, if they are technically relevant and not conflicting with European Standards.

The design life of the product should be determined, since its function may be temporary, as construction expediency, or permanent, for the lifetime of the structure.

iTeh STANDARD PREVIEW (standards.iteh.ai)

[SIST EN 13361:2018](https://standards.iteh.ai/catalog/standards/sist/b213f02f-de10-4df6-b2f7-4b78588ee8bb/sist-en-13361-2018)

<https://standards.iteh.ai/catalog/standards/sist/b213f02f-de10-4df6-b2f7-4b78588ee8bb/sist-en-13361-2018>

1 Scope

This document specifies the characteristics of geosynthetic barriers, including polymeric geosynthetic barriers, clay geosynthetic barriers and bituminous geosynthetic barriers, when used as fluid barriers and separation layer for water, in the construction of reservoirs and dams, and the appropriate test methods to determine these characteristics.

The intended use of these products is to control the leakage of potable, fresh or saline water through the construction.

This document is not applicable to geotextiles or geotextile-related products, as defined in EN ISO 10318-1.

This document provides for the assessment and verification of constancy of performance (AVCP) of the product to this European Standard including factory production control procedures.

This document defines characteristics to be considered with regard to the presentation of performance.

NOTE Where potable water is or can be in direct contact with the product, other relevant standards, requirements and/or regulations can be considered for the design.

2 Normative references

The following documents, in whole or in part, are normatively referenced in this document and are indispensable for its application. For dated references, only the edition cited applies. For undated references, the latest edition of the referenced document (including any amendments) applies.

EN 495-5:2013, *Flexible sheets for waterproofing - Determination of foldability at low temperature - Part 5: Plastic and rubber sheets for roof waterproofing*

EN 1109:2013, *Flexible sheets for waterproofing - Bitumen sheets for roof waterproofing - Determination of flexibility at low temperature*

EN 1296:2000, *Flexible sheets for waterproofing - Bitumen, plastic and rubber sheets for roofing - Method of artificial ageing by long term exposure to elevated temperature*

EN 1849-1:1999, *Flexible sheets for waterproofing - Determination of thickness and mass per unit area - Part 1: Bitumen sheets for roof waterproofing*

EN 1849-2:2009, *Flexible sheets for waterproofing - Determination of thickness and mass per unit area - Part 2: Plastic and rubber sheets*

EN 12224:2000, *Geotextiles and geotextile-related products - Determination of the resistance to weathering*

EN 12225:2000, *Geotextiles and geotextile-related products - Method for determining the microbiological resistance by a soil burial test*

EN 12226:2012, *Geosynthetics - General tests for evaluation following durability testing*

EN 12310-1:1999, *Flexible sheets for waterproofing - Part 1: Bitumen sheets for waterproofing - Determination of resistance to tearing (nail shank)*

EN 12311-1:1999, *Flexible sheets for waterproofing - Part 1: Bitumen sheets for roof waterproofing - Determination of tensile properties*

EN 13361:2018 (E)

EN 12311-2:2013, *Flexible sheets for waterproofing - Determination of tensile properties - Part 2: Plastic and rubber sheets for roof waterproofing*

EN 13249:2016, *Geotextiles and geotextile-related products - Characteristics required for use in the construction of roads and other trafficked areas (excluding railways and asphalt inclusion)*

EN 13250:2016, *Geotextiles and geotextile-related products - Characteristics required for use in the construction of railways*

EN 13251:2016, *Geotextiles and geotextile-related products - Characteristics required for use in earthworks, foundations and retaining structures*

EN 13252:2016, *Geotextiles and geotextile-related products - Characteristics required for use in drainage systems*

EN 13253:2016, *Geotextiles and geotextile-related products - Characteristics required for use in erosion control works (coastal protection, bank revetments)*

EN 13254:2016, *Geotextiles and geotextile-related products - Characteristics required for the use in the construction of reservoirs and dams*

EN 13255:2016, *Geotextiles and geotextile-related products - Characteristics required for use in the construction of canals*

EN 13256:2016, *Geotextiles and geotextile-related products - Characteristics required for use in the construction of tunnels and underground structures*

EN 13257:2016, *Geotextiles and geotextile-related products - Characteristics required for use in solid waste disposals*

<https://standards.iteh.ai/catalog/standards/sist/b213f02f-de10-4df6-b2f7-4b78588ee8bb/sist-en-13361-2018>

EN 13265:2016, *Geotextiles and geotextile-related products - Characteristics required for use in liquid waste containment projects*

EN 14150:2006, *Geosynthetic barriers - Determination of permeability to liquids*

EN 14151:2010, *Geosynthetics - Determination of burst strength*

EN 14196:2016, *Geosynthetics - Test methods for measuring mass per unit area of clay geosynthetic barriers*

EN 14414:2015, *Geosynthetics - Screening test method for determining chemical resistance for landfill applications*

EN 14415:2004, *Geosynthetic barriers - Test method for determining the resistance to leaching*

CEN/TS 14416:2014, *Geosynthetic barriers - Test method for determining the resistance to roots*

CEN/TS 14417:2014, *Geosynthetic barriers - Test method for the determination of the influence of wetting-drying cycles on the permeability of clay geosynthetic barriers*

CEN/TS 14418:2014, *Geosynthetic Barriers - Test method for the determination of the influence of freezing-thawing cycles on the permeability of clay geosynthetic barriers*

EN 14575:2005, *Geosynthetic barriers - Screening test method for determining the resistance to oxidation*

- EN 14576:2005, *Geosynthetics - Test method for determining the resistance of polymeric geosynthetic barriers to environmental stress cracking*
- EN 16416:2013, *Geosynthetic clay barriers - Determination of water flux index - Flexible wall permeameter method at constant head*
- EN ISO 527-1:2012, *Plastics - Determination of tensile properties - Part 1: General principles (ISO 527-1:2012)*
- EN ISO 527-3:1995, *Plastics - Determination of tensile properties - Part 3: Test conditions for films and sheets (ISO 527-3:1995)*
- EN ISO 527-4:1995, *Plastics - Determination of tensile properties - Part 4: Test conditions for isotropic and orthotropic fibre-reinforced plastic composites (ISO 527-4:1997)*
- EN ISO 1133-1:2011, *Plastics - Determination of the melt mass-flow rate (MFR) and melt volume-flow rate (MVR) of thermoplastics - Part 1: Standard method (ISO 1133-1:2011)*
- EN ISO 1183-1:2012, *Plastics - Methods for determining the density of non-cellular plastics - Part 1: Immersion method, liquid pycnometer method and titration method (ISO 1183-1:2012)*
- EN ISO 1183-2:2004, *Plastics - Methods for determining the density of non-cellular plastics - Part 2: Density gradient column method (ISO 1183-2:2004)*
- EN ISO 1183-3:1999, *Plastics - Methods for determining the density of non-cellular plastics - Part 3: Gas pycnometer method (ISO 1183-3:1999)*
- EN ISO 3696:1995, *Water for analytical laboratory use - Specification and test methods (ISO 3696:1987)*
<https://standards.iteh.ai/catalog/standards/sist/b213f02f-de10-4df6-b2f7-578778106478>
- EN ISO 9863-1:2016, *Geosynthetics - Determination of thickness at specified pressures - Part 1: Single layers (ISO 9863-1:2016)*
- EN ISO 9864:2005, *Geosynthetics - Test method for the determination of mass per unit area of geotextiles and geotextile-related products (ISO 9864:2005)*
- EN ISO 10318-1:2015, *Geosynthetics - Part 1: Terms and definitions (ISO 10318-1:2015)*
- EN ISO 10319:2015, *Geosynthetics - Wide-width tensile test (ISO 10319:2015)*
- EN ISO 11357-6:2013, *Plastics - Differential scanning calorimetry (DSC) - Part 6: Determination of oxidation induction time (isothermal OIT) and oxidation induction temperature (dynamic OIT) (ISO 11357-6:2008)*
- EN ISO 12236:2006, *Geosynthetics - Static puncture test (CBR test) (ISO 12236:2006)*
- EN ISO 12957-1:2005, *Geosynthetics - Determination of friction characteristics - Part 1: Direct shear test (ISO 12957-1:2005)*
- EN ISO 12957-2:2005, *Geosynthetics - Determination of friction characteristics - Part 2: Inclined plane test (ISO 12957-2:2005)*
- EN ISO 13438:2004, *Geotextiles and geotextile-related products - Screening test method for determining the resistance to oxidation (ISO 13438:2004)*

EN 13361:2018 (E)

ISO 34-1:2015, *Rubber, vulcanized or thermoplastic — Determination of tear strength — Part 1: Trouser, angle and crescent test pieces*

ISO 11465:1993, *Soil quality — Determination of dry matter and water content on a mass basis — Gravimetric method*

ASTM D696, *Standard test method for coefficient of linear thermal expansion of plastics between -30 °C and 30 °C*

ASTM D4603, *Standard Test Method for Determining Inherent Viscosity of Poly(Ethylene Terephthalate) (PET) by Glass Capillary Viscometer*

ASTM D5890, *Standard test method for swell index of clay mineral component of geosynthetic clay liners*

ASTM D6141, *Standard guide for screening clay portion of geosynthetic clay liner (GCL) for chemical compatibility to liquids¹*

ASTM D7409, *Standard Test Method for Carboxyl End Group Content of Polyethylene Terephthalate (PET) Yarns*

3 Terms, definitions and abbreviations

3.1 Terms and definitions

For the purposes of this document, the terms and definitions given in EN ISO 10318-1 and the following apply.

3.1.1

product

geosynthetic barrier, including polymeric, bituminous and clay barriers

iTech STANDARD PREVIEW
(standards.iteh.ai)
SIST EN 13361:2018
<https://standards.iteh.ai/catalog/standards/sist/b213f02f-de10-4df6-b2f7-4b7858cc80b9/sist-en-13361-2018>

3.1.2

geosynthetic barrier

barrier with at least one of whose components is made from a synthetic or natural polymer, in the form of a sheet, a strip or a three dimensional structure, used in contact with soil and/or other materials in geotechnical and civil engineering applications

3.1.3

project specification

document in which the work, functions, specific conditions and required material property values of the geosynthetic barrier are described

3.1.4

reservoir

naturally occurring space or construction for storage, regulation and control of water

3.1.5

dam

barrier constructed to hold back water to raise its level, form a reservoir or reduce or prevent flooding

¹ <http://www.astm.org/Standards/D6141.htm>

3.1.6**upstream face**

face of a dam that is normally in contact with the enclosed water

3.1.7**downstream face**

face of a dam that is normally not in contact with the enclosed water

3.18**revetment**

construction that comprises one or more layers of material to provide protection against erosion

3.1.9**top water level**

maximum operating water level in any structure

3.1.10**fluid**

gas, liquid and vapour in its pure phase as well as mixtures there of

[SOURCE: EN 764-1:2015+A1:2016-04, 3.1.5]

3.1.11**rework material****RWM**

material that is generated in a process and capable of being reclaimed within the same process that generated it

[SOURCE: EN 13249:2016-10, 3.1.3]

3.1.12**post-consumer material****PCM**

material generated by households or by commercial, industrial and institutional facilities in their role as end-users of the product which can no longer be used for its intended purpose

Note 1 to entry: This includes returns of material from the distribution chain.

[SOURCE: EN 13249:2016-10, 3.1.4]

3.1.13**post-industrial material****PIM**

material diverted from the waste stream during a manufacturing process

[SOURCE: EN 13249:2016-10, 3.1.5]

3.2 Abbreviations

For the purposes of this document, the abbreviations given in EN ISO 10318-1 and the following apply.

CWFT: classification without further testing

EPDM: ethylene propylene diene monomer

EN 13361:2018 (E)**EVA:** ethylene vinyl acetate**FPO:** flexible polyolefine**FPP:** flexible polypropylene**GBR-P:** polymeric geosynthetic barrier**GBR-B:** bituminous geosynthetic barrier**GBR-C:** clay geosynthetic barrier**HP-OIT:** high pressure oxidative induction time**OIT:** oxidative induction time**PE-HD:** high density polyethylene**PE-LLD:** linear low density polyethylene**PE-VLD:** very low density polyethylene**PVC-P:** flexible polyvinylchloride**4 Characteristics and corresponding methods of test****4.1 General**

The main function of geosynthetic barriers used in the construction of reservoirs and dams for potable, fresh or saline water is to prevent or reduce the flow of fluid through the structure. Damage during installation has not been addressed in this document.

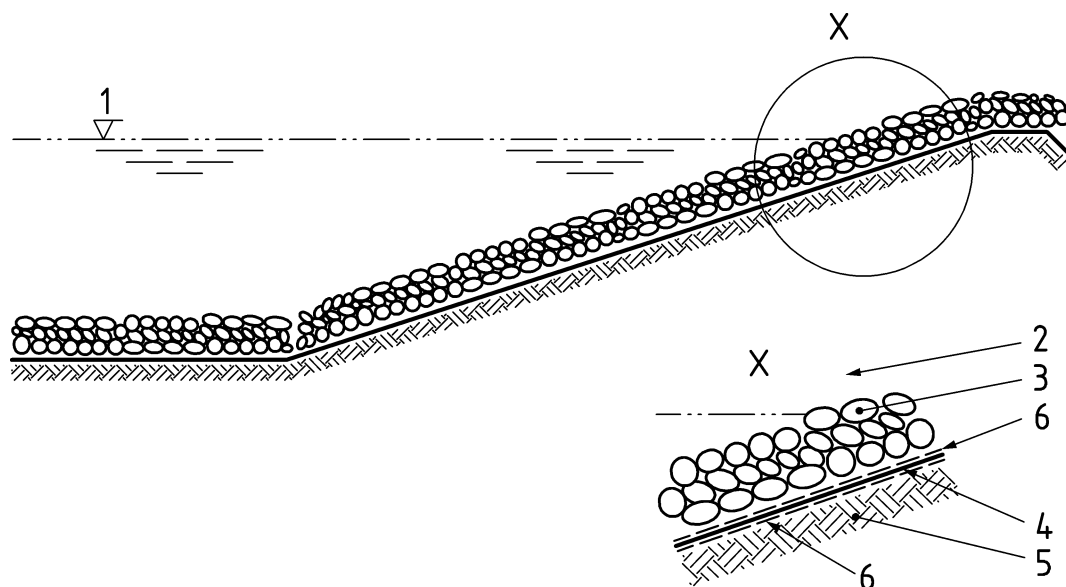
4.2 Types of application**4.2.1 General**

SIST EN 13361:2018
<https://standards.iteh.ai/catalog/standards/sist/b213f02f-de10-4df6-b2f7-4b78588ee8bb/sist-en-13361-2018>

It is not normally advisable to install a geosynthetic barrier on the downstream face of a dam. Special consideration should be given to any geosynthetic barrier installed on the downstream face of a dam. The applications described in this document do not include such situations.

4.2.2 Application 1: "covered in service"

In these applications, the GBR is laid on the upstream face of a dam or in a reservoir and is covered in service with a revetment or other protective layers. Figure 1 and Figure 2 show typical installations.

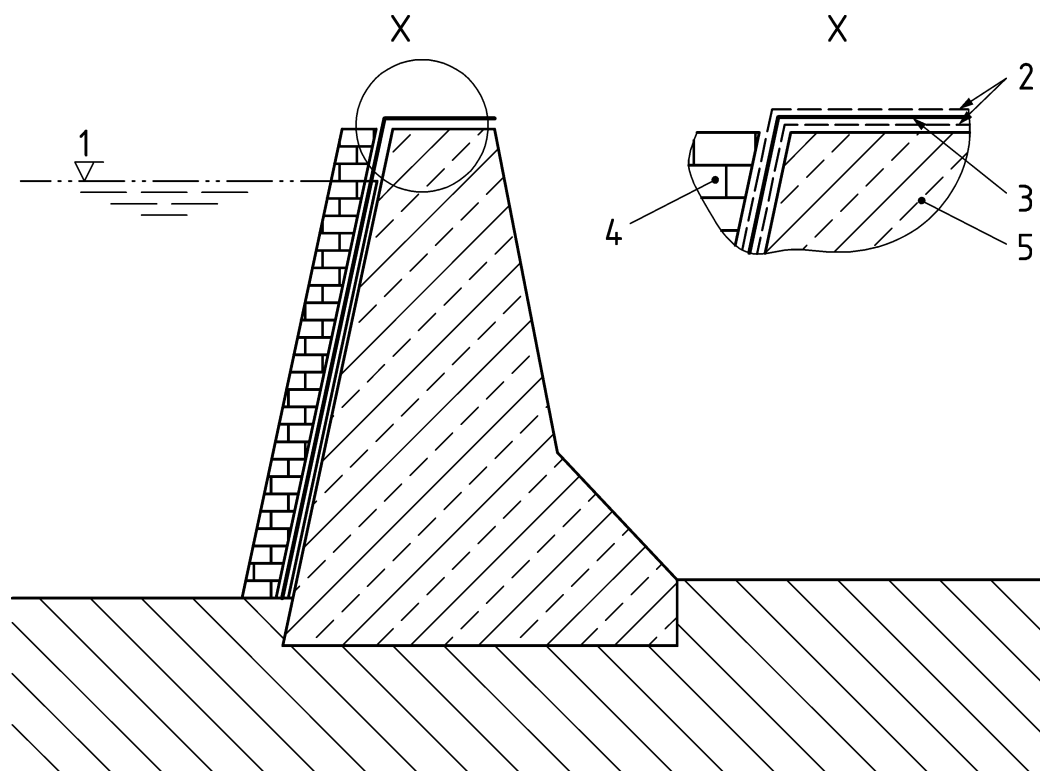
**Key**

- 1 top water level
- 2 upstream face
- 3 revetment
- 4 geosynthetic barrier
- 5 dam body
- 6 protection geosynthetic (optional)

iTeh STANDARD PREVIEW
(standards.iteh.ai)

Figure 1 — Geosynthetic barrier on a reservoir or dam slope (shallow), covered in service

<https://standards.iteh.ai/catalog/standards/sist/b213f02f-de10-4df6-b2f7-4b78588ee8bb/sist-en-13361-2018>

**Key**

- 1 top water level face of dam
- 2 protection geosynthetic (optional)
- 3 geosynthetic barrier
- 4 facing
- 5 body of dam

iTeh STANDARD PREVIEW
(standards.iteh.ai)

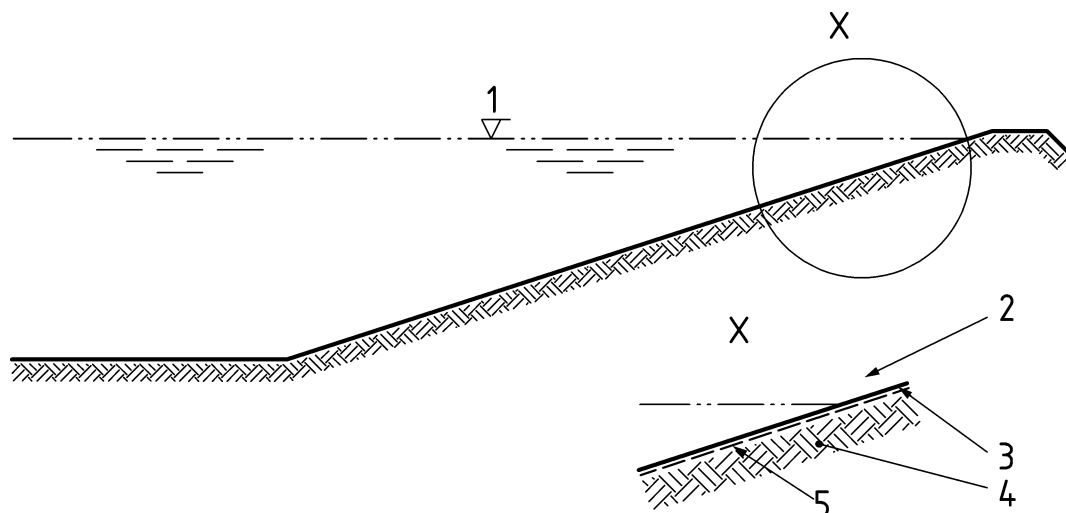
SIST EN 13361:2018

<https://standards.iteh.ai/catalog/standards/sist/b213f02f-de10-4df6-b2f7-4b78588ee8bb/sist-en-13361-2018>

Figure 2 — Geosynthetic barrier on a reservoir or dam slope (steep), covered in service

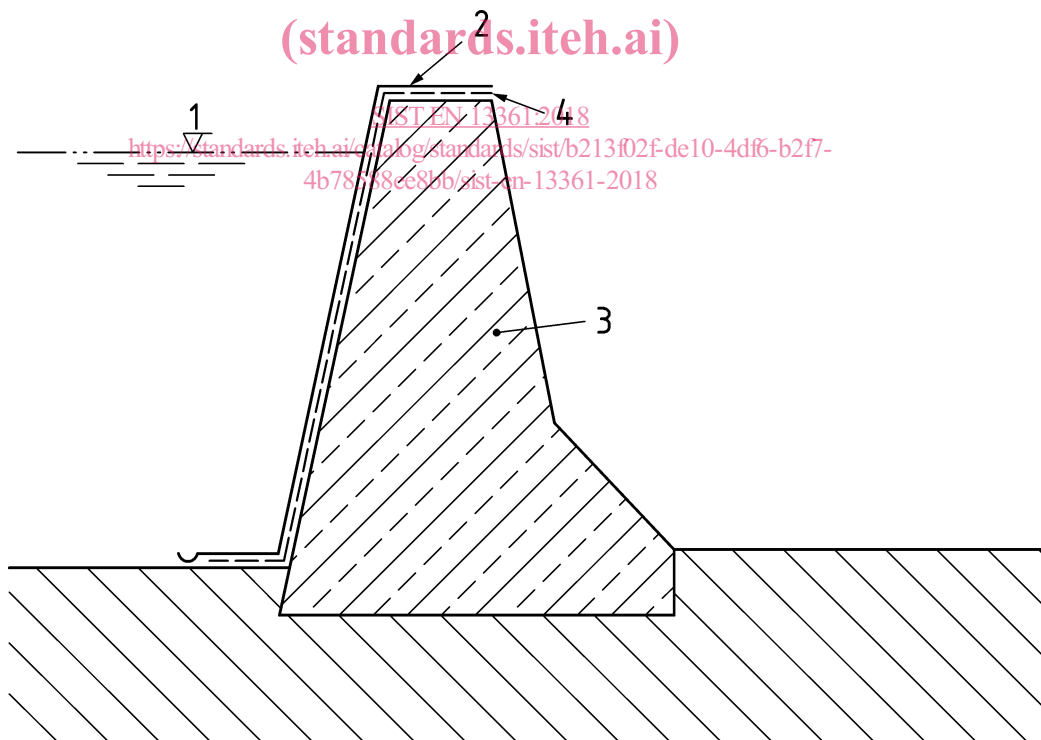
4.2.3 Application 2: “not covered in service”

As in application 1, but with the GBR not covered in service with a revetment or other protective layers. Figure 3 and Figure 4 show typical installations.

**Key**

- 1 top water level
- 2 upstream face
- 3 geosynthetic barrier
- 4 dam body
- 5 protection geosynthetic (optional)

Figure 3 — Geosynthetic barrier on a reservoir or dam slope (shallow), exposed in service

**Key**

- 1 top water level
- 2 geosynthetic barrier
- 3 body of dam
- 4 protection geosynthetic (optional)

Figure 4 — Geosynthetic barrier on a reservoir or dam slope (steep), exposed in service