



Designation: G39 – 99 (Reapproved 2005)

Standard Practice for Preparation and Use of Bent-Beam Stress-Corrosion Test Specimens¹

This standard is issued under the fixed designation G39; the number immediately following the designation indicates the year of original adoption or, in the case of revision, the year of last revision. A number in parentheses indicates the year of last reapproval. A superscript epsilon (ϵ) indicates an editorial change since the last revision or reapproval.

1. Scope

1.1 This practice covers procedures for designing, preparing, and using bent-beam stress-corrosion specimens.

1.2 Different specimen configurations are given for use with different product forms, such as sheet or plate. This practice applicable to specimens of any metal that are stressed to levels less than the elastic limit of the material, and therefore, the applied stress can be accurately calculated or measured (see **Note 1**). Stress calculations by this practice are not applicable to plastically stressed specimens.

NOTE 1—It is the nature of these practices that only the applied stress can be calculated. Since stress-corrosion cracking is a function of the total stress, for critical applications and proper interpretation of results, the residual stress (before applying external stress) or the total elastic stress (after applying external stress) should be determined by appropriate nondestructive methods, such as X-ray diffraction (**1**).²

1.3 Test procedures are given for stress-corrosion testing by exposure to gaseous and liquid environments.

1.4 The bent-beam test is best suited for flat product forms, such as sheet, strip, and plate. For plate material the bent-beam specimen is more difficult to use because more rugged specimen holders must be built to accommodate the specimens. A double-beam modification of a four-point loaded specimen to utilize heavier materials is described in **10.5**.

1.5 The exposure of specimens in a corrosive environment is treated only briefly since other practices deal with this aspect, for example, Specification **D1141**, and Practices **G30**, **G36**, **G44**, **G50**, and **G85**. The experimenter is referred to ASTM Special Technical Publication 425 (**2**).

1.6 The bent-beam practice generally constitutes a constant strain (deflection) test. Once cracking has initiated, the state of stress at the tip of the crack as well as in uncracked areas has changed, and therefore, the known or calculated stress or strain values discussed in this practice apply only to the state of stress existing before initiation of cracks.

¹ This practice is under the jurisdiction of ASTM Committee **G01** on Corrosion of Metals, and is the direct responsibility of Subcommittee **G01.06** on Environmentally Assisted Cracking.

Current edition approved May 1, 2005. Published May 2005. Originally approved in 1973. Last previous edition approved in 1999 as G39 – 99. DOI: 10.1520/G0039-99R05.

² The boldface numbers in parentheses refer to the list of references appended to this practice.

1.7 The values stated in SI units are to be regarded as standard. The inch-pound equivalents in parentheses are provided for information.

1.8 *This standard does not purport to address all of the safety concerns, if any, associated with its use. It is the responsibility of the user of this standard to establish appropriate safety and health practices and determine the applicability of regulatory limitations prior to use.* (For more specific safety hazard information see Section **7** and **12.1**.)

2. Referenced Documents

2.1 ASTM Standards:³

D1141 Practice for the Preparation of Substitute Ocean Water

G30 Practice for Making and Using U-Bend Stress-Corrosion Test Specimens

G36 Practice for Evaluating Stress-Corrosion-Cracking Resistance of Metals and Alloys in a Boiling Magnesium Chloride Solution

G44 Practice for Exposure of Metals and Alloys by Alternate Immersion in Neutral 3.5 % Sodium Chloride Solution

G50 Practice for Conducting Atmospheric Corrosion Tests on Metals

G85 Practice for Modified Salt Spray (Fog) Testing

2.2 NACE Documents:⁴

NACE TM0177-96 Laboratory Testing of Metals for Resistance to Specific Forms of Environmental Cracking in H₂S Environments

3. Terminology

3.1 Definitions of Terms Specific to This Standard:

3.1.1 *cracking time*—the time elapsed from the inception of test until the appearance of cracking.

3.1.1.1 *Discussion*—The test begins when the stress is applied and the stressed specimen is exposed to the corrosive environment, whichever occurs later.

³ For referenced ASTM standards, visit the ASTM website, www.astm.org, or contact ASTM Customer Service at service@astm.org. For *Annual Book of ASTM Standards* volume information, refer to the standard's Document Summary page on the ASTM website.

⁴ Available from National Association of Corrosion Engineers (NACE), 1440 South Creek Dr., Houston, TX 77084-4906.

3.1.1.2 *Discussion*—The specimen is considered to have failed when cracks are detected. Presence of cracks can be determined with or without optical, mechanical, or electronic aids. However, for meaningful interpretation, comparisons should be made only among tests employing crack detection methods of equivalent sensitivity.

3.1.2 *stress-corrosion cracking*—a cracking process requiring the simultaneous action of a corrodent and sustained tensile stress. This excludes corrosion-reduced sections that fail by fast fracture. It also excludes intercrystalline or transcrystalline corrosion which can disintegrate an alloy without either applied or residual stress.

4. Summary of Practice

4.1 This practice involves the quantitative stressing of a beam specimen by application of a bending stress. The applied stress is determined from the size of the specimen and the bending deflection. The stressed specimens then are exposed to the test environment and the time required for cracks to develop is determined. This cracking time is used as a measure of the stress-corrosion resistance of the material in the test environment at the stress level utilized.

5. Significance and Use

5.1 The bent-beam specimen is designed for determining the stress-corrosion behavior of alloy sheets and plates in a variety of environments. The bent-beam specimens are designed for testing at stress levels below the elastic limit of the alloy. For testing in the plastic range, U-bend specimens should be employed (see Practice G30). Although it is possible to stress bent-beam specimens into the plastic range, the stress level cannot be calculated for plastically-stressed three- and four-point loaded specimens as well as the double-beam specimens. Therefore, the use of bent-beam specimens in the plastic range is not recommended for general use.

6. Apparatus

6.1 *Specimen Holders*—Bent-beam specimens require a specimen holder for each specimen, designed to retain the applied stress on the specimen. Typical specimen holder configurations are shown schematically in Fig. 1.

NOTE 2—The double-beam specimen, more fully described in 10.5, is self-contained and does not require a holder.

NOTE 3—Specimen holders can be modified from the constant deformation type shown in Fig. 1 to give a constant-load type of stressing. For instance, the loading bolt can be supplanted by a spring or dead-weight arrangement to change the mode of loading.

6.1.1 The holder shall be made of a material that would withstand the influence of the environment without deterioration or change in shape.

NOTE 4—It should be recognized that many plastics tend to creep when subjected to sustained loads. If specimen holders or insulators are made of such materials, the applied stress on the specimen may change appreciably with time. By proper choice of holder and insulator materials, however, many plastics can be used, especially in short-time tests.

6.1.2 When the stress-corrosion test is conducted by immersion in an electrolyte, galvanic action between specimen and holder (or spacer) shall be prevented (see Note 5). This is

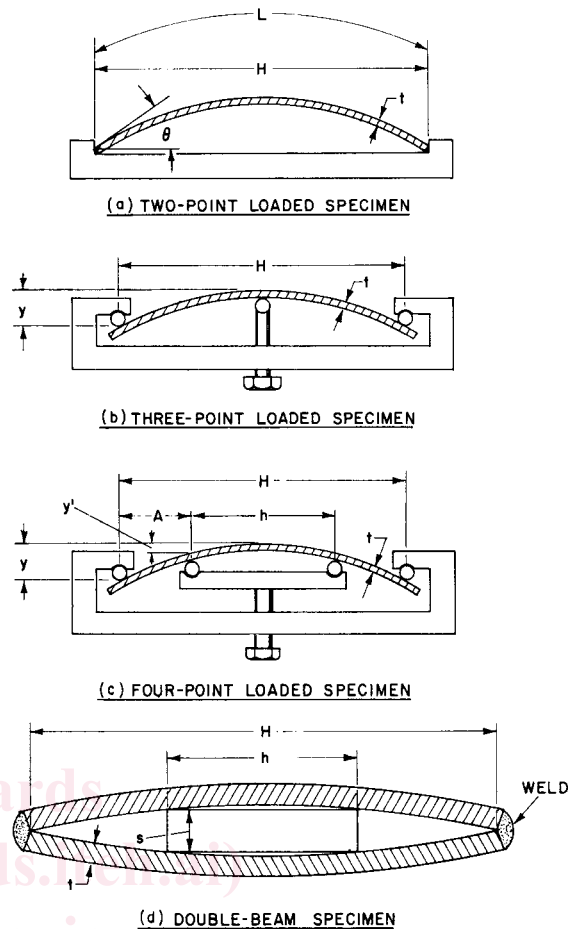


FIG. 1 Schematic Specimen and Holder Configurations

accomplished by (1) making the holder of the same material as the individual specimens, (2) inserting electrically insulating materials between specimen and holder at all points of contact (see Note 4), (3) making the entire holder out of a nonmetallic material (see Note 4), or (4) coating the holder with an electrically nonconducting coating that effectively prevents contact between holder and electrolyte.

6.1.3 Crevice corrosion may occur in an electrolyte at contact points between specimen and holder (or spacer). In these instances the critical areas should be packed with a hydrophobic filler (such as grease or wax).

NOTE 5—In atmospheres (gas) galvanic action between specimen and holder either does not exist or is confined to a very small area as experienced in outdoor exposure tests.

6.2 *Stressing Jigs*—Three-point and four-point loaded specimen holders, Fig. 1 (b and c), contain a stressing feature in the form of a loading screw. To stress two-point loaded specimens (Fig. 1(a)), a separate stressing jig shall be used. A convenient stressing jig is shown in Fig. 2.

NOTE 6—The double-beam specimen, described in 10.5, requires a mechanical or hydraulic stressing frame (a universal tension testing machine can also be used) as well as welding equipment.

6.3 *Deflection Gages*—Deflection of specimens is determined by separate gages or by gages incorporated in a loading apparatus as shown in Fig. 3. In designing a deflection gage to



FIG. 2 Stressing Jig and Two-Point Loaded Specimen with Holder (approximately ¼ actual size)

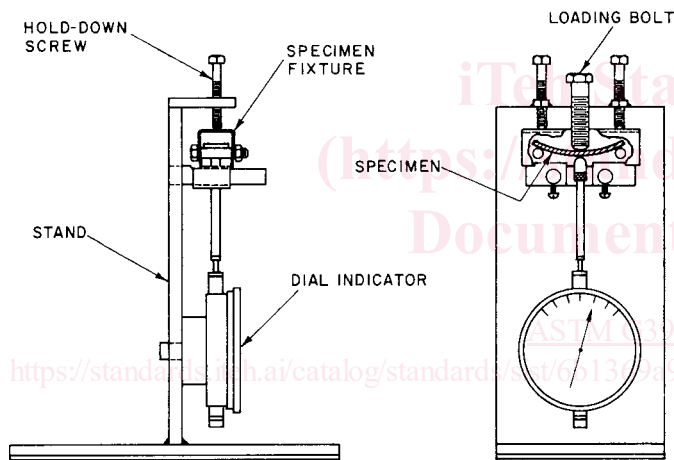


FIG. 3 Specimen Loading Apparatus for Three-Point Loaded Beam Specimens with Integral Deflection Gage

suit individual circumstances care must be taken to reference the deflection to the proper support distance as defined in 10.2-10.5.

7. Hazards

7.1 Bent-beam specimens made from high-strength materials may exhibit high rates of crack propagation and a specimen may splinter into several pieces. Due to high stresses in a specimen, these pieces may leave the specimen at high velocity and can be dangerous. Personnel installing and examining specimens should be cognizant of this possibility and be protected against injury.

8. Sampling

8.1 Test specimens shall be selected so that they represent the material to be tested. In simulating a service condition, the direction of load application in the specimen shall represent the

anticipated loading direction in service with respect to processing conditions, for example, rolling direction.

8.2 Paragraphs 9.4 and 9.5 deal specifically with specimen selection as related to the original material surface.

9. Test Specimen

9.1 The bent-beam, stress-corrosion specimens shall be flat strips of metal of uniform, rectangular cross section, and uniform thickness.

9.2 The identification of individual specimens should be permanently inscribed at each end of the specimen because this is the area of lowest stress and cracking is not expected to be initiated by the identification markings. If stenciling is used for identification, this shall be done only on softened material before any hardening heat treatments to prevent cracking in the stenciled area. Care must be taken to prevent the identification from being obliterated by corrosion.

9.3 Mechanical properties should be determined on the same heat-treatment lot from which stress-corrosion specimens are obtained.

9.4 The specimens can be cut from sheet or plate in such a fashion that the original material surface is retained. This procedure is recommended when it is desired to include the effect of surface condition in the test.

9.5 If, however, it is desired that surface conditions should not influence the test results of several materials with different surface conditions, the surfaces of all specimens must be prepared in the same way. It is recommended that grinding or machining to a surface finish of at least $0.7 \mu\text{m}$ ($30 \mu\text{in.}$) and to a depth of at least 0.25 mm (0.01 in.) be utilized for surface preparation. It is desirable to remove the required amount of metal in several steps by alternately grinding opposite surfaces. This practice minimizes warpage due to residual stresses caused by machining. All edges should be similarly ground or machined to remove cold-worked material from previous shearing. Chemical or electrochemical treatments that produce hydrogen on the specimen surface must not be used on materials that may be subject to embrittlement by hydrogen or that react with hydrogen to form a hydride.

9.6 Immediately before stressing, the specimens should be degreased and cleaned to remove contamination that occurred during specimen preparation. Only chemicals appropriate for the given metal or alloy should be used. Care must be exercised not to contaminate cleaned specimens. Also, it is suggested that specimens be examined for cracks before exposure to the test environment.

10. Stress Calculations

10.1 The equations given in this section are valid only for stresses below the elastic limit of the material. At stresses above the elastic limit, but below the engineering yield strength (0.2 % offset) only a small error results from use of the equations (see Note 1). The equations must not be used above the yield strength of the material. The following paragraphs give relationships used to calculate the maximum longitudinal stress in the outer fibers of the specimen convex surface. Calculations for transverse stress or edge-to-edge variation of longitudinal stress are not given; the specimen dimensions are chosen to minimize these stresses consistent with convenient

use of the specimens. The specimen dimensions given here can be modified to suit specific needs. However, if this is done, the approximate specimen proportions should be preserved to give a similar stress distribution (for instance, if the length is doubled the width should be doubled also).

10.1.1 When specimens are tested at elevated temperatures, the possibility of stress relaxation should be investigated. Relaxation can be estimated from known creep data for the specimen, holder, and insulating materials. Differences in thermal expansion also should be considered.

10.1.2 The applied stress is determined by specimen dimensions and the amount of bending deflection. Thus, the errors in the applied stress are related to those inherent in the use of measuring instruments (micrometers, deflection gages, strain gages, and so forth). For the two-point loaded specimens, most measured values lie within 5 % of the values calculated in accordance with the procedures given in 10.2.1-10.2.3, as reported by Haaijer and Loginow (4). The calculated stress applies only to the state of stress before initiation of cracks. Once cracking is initiated, the stress at the tip of the crack, as well as in uncracked areas, has changed.

10.2 *Two-Point Loaded Specimens*—This specimen can be used for materials that do not deform plastically when bent to $(L - H)/H = 0.01$ (see section 10.2.5). The specimens shall be approximately 25 by 254-mm (1- by 10-in.) flat strips cut to appropriate lengths to produce the desired stress after bending as shown in Fig. 1(a).

10.2.1 Calculate the elastic stress in the outer fiber at midlength of the two-point loaded specimens from relationships derived from a theoretically exact large-deflection analysis (4), as follows:

$$\varepsilon = 4(2E - K) \left[\frac{k}{2} - \frac{2E - K}{12} \left(\frac{t}{H} \right) \right] \frac{t}{H} \quad (1)$$

and

$$(L - H)/H = [K/2E - K] - 1 \quad (2)$$

where:

- L = length of specimen,
- H = distance between supports (holder span),
- t = thickness of specimen,
- ε = maximum tensile strain,
- $K = \int_0^{\pi/2} (1 - k^2 \sin^2 z)^{-1/2} dz$ (complete elliptic integral of the first kind),
- $E = \int_0^{\pi/2} (1 - k^2 \sin^2 z)^{1/2} dz$ (complete elliptic integral of the second kind),
- $k = \sin \theta/2$,
- θ = maximum slope of the specimen, that is, at the end of the specimen, and
- z = integration parameter (4).

10.2.2 The mathematical analysis establishes that Eq 1 and Eq 2 define the relationship between the strain ε and $(L - H)/H$ in parameter form. The common parameter in these equations is the modulus k of the elliptic integrals. Thus, the following procedure can be used to determine the specimen length L that is required to produce a given maximum stress σ :

10.2.2.1 Divide the stress σ by the modulus of elasticity E_m to determine the strain ε .

$$\varepsilon = \sigma/E_m$$

10.2.2.2 From Eq 1 determine the value of k corresponding to the required value of ε .

10.2.2.3 By using appropriate values of k , evaluate Eq 2 for L . To facilitate calculations, a computer can be used to generate a table for a range of strain ε and H/t with resultant values of $(L - H)/H$.

10.2.3 Calculate the deflection of the specimen as follows:

$$y/H = k/(2E - K) \quad (3)$$

where:

y = maximum deflection.

The other quantities are given in 10.2.1.

This relationship can be used as a simple check to ensure that the maximum stress does not exceed the proportional limit. If it should exceed the proportional limit, the measured deflection will be greater than that calculated from Eq 3.

10.2.4 As an alternative method the following approximate relationship can be used for calculating specimen length:

$$L = (ktE/\sigma) \sin^{-1} (H\sigma/ktE) \quad (4)$$

where:

- L = specimen length,
- σ = maximum stress,
- E = modulus of elasticity,
- H = holder span,
- t = thickness of specimen, and
- $k = 1.280$, an empirical constant.

This equation can be solved by computer, by trial and error, or by using a series expansion of the sine function. Eq 4 shall be used only when the quantity $(H\sigma/ktE)$ is less than 1.0.

10.2.5 Choose specimen thickness and length and holder span to obtain a value for $(L - H)/H$ of between 0.01 and 0.50, thus keeping the error of stress within acceptable limits. A specimen thickness of about 0.8 to 1.8 mm (0.03 to 0.07 in.) and a holder span of 177.8 to 215.9 mm (7.00 to 8.50 in.) has been very convenient when working with very high strength steels and aluminum alloys with applied stresses ranging from about 205 MPa (30 ksi) for aluminum to 1380 MPa (200 ksi) for steel. The specimen dimensions given here can be modified to suit specific needs. However, if this is done, approximate dimensional proportions shall be preserved.

10.2.6 In two-point loaded specimens the maximum stress occurs at midlength of the specimen and decreases to zero at specimen ends.

10.2.7 The two-point loaded specimen is preferred to three-point loaded specimens because in many instances crevice corrosion of the specimen occurs at the central support of the three-point loaded specimen. Since this corrosion site is very close to the point of highest tension stress, it may cathodically protect the specimen and prevent possible crack formation or cause hydrogen embrittlement. Furthermore, the pressure of the central support at the point of highest load introduces biaxial stresses at the area of contact and could introduce tension stresses where normally compression stresses are present.

NOTE 7—Occasionally two-point loaded specimens having a nonuniform cross section are used for special purposes. A description of such a