



SLOVENSKI STANDARD

SIST EN 12221-1:2008+A1:2013

01-oktober-2013

Nadomešča:
SIST EN 12221-1:2008

Izdelki za otroke - Previjalne mize za domačo uporabo - 1. del: Varnostne zahteve (vključno z dopolnilom A1)

Child use and care articles - Changing units for domestic use - Part 1: Safety requirements

Artikel für Säuglinge und Kleinkinder - Wickeleinrichtungen für den Hausgebrauch - Teil 1: Sicherheitstechnische Anforderungen

Articles de puériculture - Dispositifs à langer à usage domestique - Partie 1: Exigences de sécurité

<https://standards.iteh.ai/catalog/standards/sist/c329f589-62ed-44da-90ef-095d8a763864/sist-en-12221-1-2008a1-2013>

Ta slovenski standard je istoveten z: EN 12221-1:2008+A1:2013

ICS:

97.190 Otroška oprema Equipment for children

SIST EN 12221-1:2008+A1:2013 en,fr,de

iTeh STANDARD PREVIEW
(standards.iteh.ai)

[SIST EN 12221-1:2008+A1:2013](https://standards.iteh.ai/catalog/standards/sist/c329f589-62ed-44da-90ef-095d8a763864/sist-en-12221-1-2008a1-2013)

<https://standards.iteh.ai/catalog/standards/sist/c329f589-62ed-44da-90ef-095d8a763864/sist-en-12221-1-2008a1-2013>

EUROPEAN STANDARD
NORME EUROPÉENNE
EUROPÄISCHE NORM

EN 12221-1:2008+A1

August 2013

ICS 97.190

Supersedes EN 12221-1:2008

English Version

Child use and care articles - Changing units for domestic use - Part 1: Safety requirements

Articles de puériculture - Dispositifs à langer à usage
domestique - Partie 1: Exigences de sécurité

Artikel für Säuglinge und Kleinkinder - Wickeleinrichtungen
für den Hausgebrauch - Teil 1: Sicherheitstechnische
Anforderungen

This European Standard was approved by CEN on 18 February 2008 and includes Amendment 1 approved by CEN on 8 July 2013.

CEN members are bound to comply with the CEN/CENELEC Internal Regulations which stipulate the conditions for giving this European Standard the status of a national standard without any alteration. Up-to-date lists and bibliographical references concerning such national standards may be obtained on application to the CEN-CENELEC Management Centre or to any CEN member.

This European Standard exists in three official versions (English, French, German). A version in any other language made by translation under the responsibility of a CEN member into its own language and notified to the CEN-CENELEC Management Centre has the same status as the official versions.

CEN members are the national standards bodies of Austria, Belgium, Bulgaria, Croatia, Cyprus, Czech Republic, Denmark, Estonia, Finland, Former Yugoslav Republic of Macedonia, France, Germany, Greece, Hungary, Iceland, Ireland, Italy, Latvia, Lithuania, Luxembourg, Malta, Netherlands, Norway, Poland, Portugal, Romania, Slovakia, Slovenia, Spain, Sweden, Switzerland, Turkey and United Kingdom.

[SIST EN 12221-1:2008+A1:2013](https://standards.iteh.ai/catalog/standards/sist/c329f589-62ed-44da-90ef-095d8a763864/sist-en-12221-1-2008a1-2013)

<https://standards.iteh.ai/catalog/standards/sist/c329f589-62ed-44da-90ef-095d8a763864/sist-en-12221-1-2008a1-2013>



EUROPEAN COMMITTEE FOR STANDARDIZATION
COMITÉ EUROPÉEN DE NORMALISATION
EUROPÄISCHES KOMITEE FÜR NORMUNG

Management Centre: Avenue Marnix 17, B-1000 Brussels

Contents

Page

Foreword.....	3
1 Scope	4
2 Normative references	4
3 Terms and definitions	4
4 General requirements	6
4.1 Dimensions	6
4.2 Materials	7
4.2.1 Wood	7
4.2.2 Surfaces and materials	7
5 Construction	7
5.1 Holes, gaps and openings	7
5.1.1 Entrapment of fingers	7
5.1.2 Entrapment of limbs	7
5.1.3 Entrapment of head, neck and torso	8
5.1.4 Cords, strings and other narrow fabrics	8
5.1.5 Loops	8
5.2 Edges and protruding parts	8
5.3 Moving parts	9
5.4 Locking and folding mechanisms of the complete unit	9
5.5 Small detachable components	9
5.6 Castors/wheels	9
5.7 Self-tapping screws	9
5.8 Stability	10
5.9 Strength	10
5.10 Extension elements	10
5.11 Barriers	10
5.12 Changing board flap	11
5.12.1 Impact test	11
5.12.2 Drop test	11
5.13 Child bath tub	11
6 Plastic packaging	11
7 Instructions for use	11
8 Marking	12
9 Purchase information	12
Annex A (informative) A-deviations	14

Foreword

This document (EN 12221-1:2008+A1:2013) has been prepared by Technical Committee CEN/TC 252 "Child use and care articles", the secretariat of which is held by AFNOR.

This document has been prepared in collaboration with CEN/TC 207 "Furniture", the secretariat of which is held by UNI.

This European Standard shall be given the status of a national standard, either by publication of an identical text or by endorsement, at the latest by February 2014, and conflicting national standards shall be withdrawn at the latest by February 2014.

Attention is drawn to the possibility that some of the elements of this document may be the subject of patent rights. CEN [and/or CENELEC] shall not be held responsible for identifying any or all such patent rights.

This document supersedes A1 EN 12221-1:2008 A1.

This document includes Amendment 1 approved by CEN on 2013-07-08.

The start and finish of text introduced or altered by amendment is indicated in the text by tags A1 A1.

This European Standard is one part of the series of standards of EN 12221 "Changing units for domestic use" consisting of the following parts: **(standards.iteh.ai)**

- Part 1: Safety requirements [SIST EN 12221-1:2008+A1:2013](https://standards.iteh.ai/catalog/standards/sist/c329f589-62ed-44da-90ef-095d8a763864/sist-en-12221-1-2008a1-2013)
- Part 2: Test methods <https://standards.iteh.ai/catalog/standards/sist/c329f589-62ed-44da-90ef-095d8a763864/sist-en-12221-1-2008a1-2013>

According to the CEN-CENELEC Internal Regulations, the national standards organizations of the following countries are bound to implement this European Standard: Austria, Belgium, Bulgaria, Croatia, Cyprus, Czech Republic, Denmark, Estonia, Finland, Former Yugoslav Republic of Macedonia, France, Germany, Greece, Hungary, Iceland, Ireland, Italy, Latvia, Lithuania, Luxembourg, Malta, Netherlands, Norway, Poland, Portugal, Romania, Slovakia, Slovenia, Spain, Sweden, Switzerland, Turkey and the United Kingdom.

EN 12221-1:2008+A1:2013 (E)**1 Scope**

This part of EN 12221 specifies safety requirements for changing units for domestic use for children with a body weight no more than 15 kg.

EN 12221 only covers the function of the item as a changing unit. If the changing unit can be converted or used as another function it shall comply with other relevant standards, e.g. cots, storage furniture, etc.

The changing unit may be foldable and can be fitted with a child bathtub or other additional items.

Changing pads are only covered by this standard when they form a part of the changing unit.

2 Normative references

The following referenced documents are indispensable for the application of this document. For dated references, only the edition cited applies. For undated references, the latest edition of the referenced document (including any amendments) applies.

EN 71-1, *Safety of toys - Part 1: Mechanical and physical properties*

EN 71-3, *Safety of toys - Part 3: Migrations of certain elements*

EN 12221-2:2008+A1:2013, *Child use and care articles - Changing units for domestic use - Part 2: Test methods*

[SIST EN 12221-1:2008+A1:2013](https://standards.iteh.ai/catalog/standards/sist/c329f589-62ed-44da-90ef-095d8a763864/sist-en-12221-1-2008a1-2013)

3 Terms and definitions

<https://standards.iteh.ai/catalog/standards/sist/c329f589-62ed-44da-90ef-095d8a763864/sist-en-12221-1-2008a1-2013>

For the purposes of this document, the following terms and definitions apply.

3.1 changing unit
elevated structure designed to support a child in a lying position for the purpose of allowing a caregiver to change the child's nappy

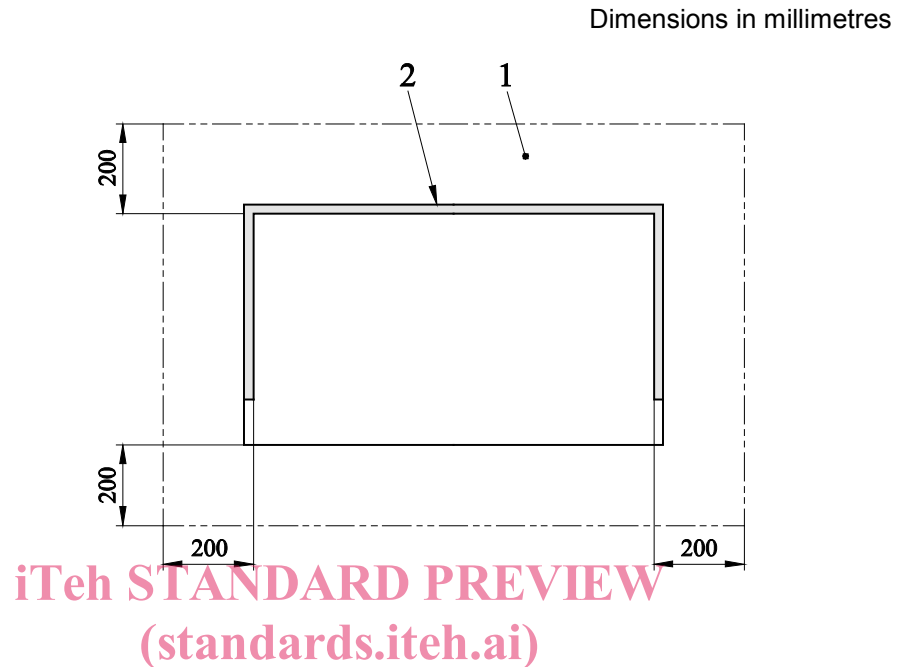
3.1.1 type 1 changing unit
changing unit intended for use for children from birth up to an age of 12 months, up to 11 kg in accordance with the manufacturer's instructions for use

3.1.2 type 2 changing unit
changing unit intended for use for children from birth up to 15 kg in accordance with the manufacturer's instructions for use

3.2 wall mounted changing unit
changing unit designed to be attached to a wall

3.3 accessibility zone
space around the changing area within the child's reach. The volume contained within 550 mm above the changing area and within 200 mm around the changing area measured horizontally from the inside of the area, see Figure 1a) and Figure 1b)

space around the bathtub area within the child's reach. The volume contained within 550 mm above the bottom of the bath and within 200 mm around the top of the interior of the bathtub. For contoured bathtubs the vertical volume is measured from a horizontal line drawn from the highest point where the child is seated, see Figure 1c)

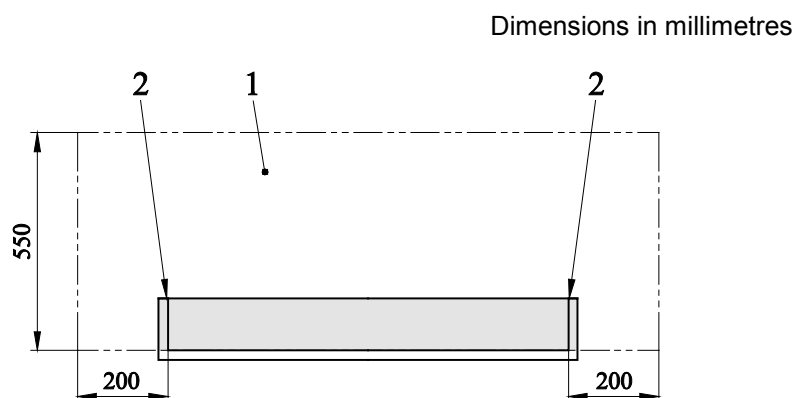


Key

- 1 Accessibility zone
- 2 Barrier

[SIST EN 12221-1:2008+A1:2013
https://standards.iteh.ai/catalog/standards/sist/c329f589-62ed-44da-90ef-095d8a763864/sist-en-12221-1-2008a1-2013](https://standards.iteh.ai/catalog/standards/sist/c329f589-62ed-44da-90ef-095d8a763864/sist-en-12221-1-2008a1-2013)

Figure 1a) — Top view of accessibility zone

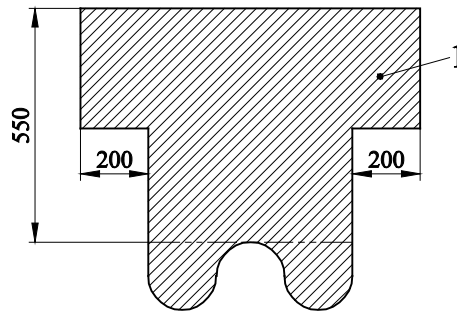


Key

- 1 Accessibility zone
- 2 Barrier

Figure 1b) — Front view of accessibility zone

Dimensions in millimetres

**Key**

1 Accessibility zone

Figure 1c) — Bathtub accessibility zone – example of a section view**3.4****extension element**

component that can be pulled out and pushed in

EXAMPLE baskets, drawers and alike

3.5**shear and squeeze point**

gaps, in which a part of the body may be crushed when two parts move relative to each other

3.6**V-shaped opening**

opening with the apex downwards and an included angle of less than 60°

3.7**changing board flap**

changing surface that is raised to provide access to another function, e.g. a bathtub

4 General requirements**4.1 Dimensions**

The dimensions of the changing area, when measured in accordance with A_1 EN 12221-2:2008+A1:2013, 5.2 A_1 shall be for type 1 changing units at least width: 380 mm, length: 650 mm, and type 2 changing units at least width: 550 mm and length: 750 mm.

A_1 The length of the changing area is the intended longitudinal position of the child on the unit.

The width of the changing area is the measurement perpendicular to the length. A_1

4.2 Materials

4.2.1 Wood

Wood, wood-based materials and materials of vegetable origin shall be free from decay and insect attack when checked in accordance with [A1](#) EN 12221-2:2008+A1:2013, 5.1 [A1](#).

4.2.2 Surfaces and materials

Any coating of paint, varnish, lacquer or similar substances and parts consisting of dyed materials, leather, textiles, and plastics materials within the accessibility zone shall be made using products which in their soluble compound do not exceed the following amounts:

Antimony	:	60 mg/kg
Arsenic	:	25 mg/kg
Barium	:	1000 mg/kg
Cadmium	:	75 mg/kg
Chromium	:	60 mg/kg
Lead	:	90 mg/kg
Mercury	:	60 mg/kg
Selenium	:	500 mg/kg

STANDARD PREVIEW
(standards.iteh.ai)

Where a surface is coated with a multi-layer paint or similar coating, the sample shall be taken down to the base material. <https://standards.iteh.ai/catalog/standards/sist/c329f589-62ed-44da-90ef-095d8a763864/sist-en-12221-1-2008a1-2013>

The test procedure is defined in EN 71-3.

5 Construction

5.1 Holes, gaps and openings

The following requirements shall apply before and after testing in accordance with [A1](#) EN 12221-2:2008+A1:2013, Clause 5 [A1](#).

5.1.1 Entrapment of fingers

Within the accessibility zone there shall be no holes, gaps and openings with a width greater than 7 mm and less than 12 mm, unless the depth is less than 10 mm when measured in accordance with [A1](#) EN 12221-2:2008+A1:2013, 5.3.1 [A1](#).

5.1.2 Entrapment of limbs

Within the accessibility zone there shall be no holes, gaps and openings having a width greater than 25 mm and smaller than 45 mm when measured in accordance with [A1](#) EN 12221-2:2008+A1:2013, 5.3.2 [A1](#).