

# SLOVENSKI STANDARD

## SIST EN 1113:2015

01-junij-2015

Nadomešča:

SIST EN 1113:2009+A1:2011

---

### Sanitarne armature - Gibke cevi za sanitarne armature sistemov za oskrbo z vodo tipa 1 in tipa 2 - Splošne tehnične zahteve

Sanitary tapware - Shower hoses for sanitary tapware for water supply systems of type 1 and type 2 - General technical specification

Sanitärarmaturen - Brauseschläuche für Sanitärarmaturen für Wasserversorgungssysteme vom Typ 1 und Typ 2 - Allgemeine technische Spezifikation

Robinetterie sanitaire - Flexibles de douches pour robinetterie sanitaire pour les systèmes d'alimentation type 1 et type 2 - Spécifications techniques générales

Ta slovenski standard je istoveten z: **EN 1113:2015**

---

#### **ICS:**

23.040.70	Gumene cevi in armature	Hoses and hose assemblies
91.140.70	Sanitarne naprave	Sanitary installations

**SIST EN 1113:2015**

**en,fr,de**

**iTeh STANDARD PREVIEW**  
**(standards.iteh.ai)**

SIST EN 1113:2015

<https://standards.iteh.ai/catalog/standards/sist/fdeddd03-dad0-47e1-adf1-e5b76bdf96c5/sist-en-1113-2015>

EUROPEAN STANDARD

EN 1113

NORME EUROPÉENNE

EUROPÄISCHE NORM

April 2015

ICS 23.040.70; 91.140.70

Supersedes EN 1113:2008+A1:2011

English Version

## Sanitary tapware - Shower hoses for sanitary tapware for water supply systems of type 1 and type 2 - General technical specification

Robinetterie sanitaire - Flexibles de douches pour robinetterie sanitaire pour les systèmes d'alimentation type 1 et type 2 - Spécifications techniques générales

Sanitärarmaturen - Brauseschläuche für Sanitärarmaturen für Wasserversorgungssysteme vom Typ 1 und Typ 2 - Allgemeine technische Spezifikation

This European Standard was approved by CEN on 12 March 2015.

CEN members are bound to comply with the CEN/CENELEC Internal Regulations which stipulate the conditions for giving this European Standard the status of a national standard without any alteration. Up-to-date lists and bibliographical references concerning such national standards may be obtained on application to the CEN-CENELEC Management Centre or to any CEN member.

This European Standard exists in three official versions (English, French, German). A version in any other language made by translation under the responsibility of a CEN member into its own language and notified to the CEN-CENELEC Management Centre has the same status as the official versions.

CEN members are the national standards bodies of Austria, Belgium, Bulgaria, Croatia, Cyprus, Czech Republic, Denmark, Estonia, Finland, Former Yugoslav Republic of Macedonia, France, Germany, Greece, Hungary, Iceland, Ireland, Italy, Latvia, Lithuania, Luxembourg, Malta, Netherlands, Norway, Poland, Portugal, Romania, Slovakia, Slovenia, Spain, Sweden, Switzerland, Turkey and United Kingdom.



EUROPEAN COMMITTEE FOR STANDARDIZATION  
COMITÉ EUROPÉEN DE NORMALISATION  
EUROPÄISCHES KOMITEE FÜR NORMUNG

**CEN-CENELEC Management Centre: Avenue Marnix 17, B-1000 Brussels**

## Contents

Foreword.....	4
Introduction .....	5
1 Scope .....	6
2 Normative references .....	9
3 Terms and definitions .....	9
4 Designation .....	9
5 Marking .....	9
6 Materials .....	9
6.1 Chemical and hygienic requirements.....	9
6.2 Exposed surface condition and quality of coating .....	10
7 Dimensional characteristics .....	10
7.1 General.....	10
7.2 Connecting dimensions .....	10
7.3 Special cases .....	11
8 Hydraulic characteristics .....	11
8.1 General.....	11
8.2 Flow rate .....	12
8.2.1 Test method.....	12
8.2.2 Principle.....	12
8.2.3 Apparatus .....	12
8.2.4 Procedure .....	12
8.2.5 Requirements .....	12
9 Mechanical and leaktightness characteristics .....	14
9.1 General.....	14
9.2 Tensile strength .....	14
9.2.1 Test method.....	14
9.2.2 Principle.....	14
9.2.3 Apparatus .....	14
9.2.4 Procedure .....	15
9.2.5 Requirements .....	15
9.3 Resistance to flexing .....	15
9.3.1 Test Method.....	15
9.3.2 Principle.....	15
9.3.3 Apparatus .....	15
9.3.4 Procedure .....	17
9.3.5 Requirement.....	17
9.4 Pressure resistance at elevated temperature .....	17
9.4.1 Test method.....	17
9.4.2 Principle.....	17
9.4.3 Apparatus .....	18
9.4.4 Procedure .....	18
9.4.5 Requirements .....	19
9.5 Leaktightness after tensile strength and resistance to flexing tests .....	19
9.5.1 Test method.....	19
9.5.2 Principle.....	19

9.5.3	Apparatus .....	19
9.5.4	Procedure .....	19
9.5.5	Requirements .....	19
9.6	Thermal shock test .....	19
9.6.1	Test method .....	19
9.6.2	Principle .....	19
9.6.3	Apparatus .....	19
9.6.4	Procedure .....	20
9.6.5	Requirements .....	20
10	Rotary connection .....	20
10.1	General .....	20
10.2	Test Method .....	21
10.2.1	Principle .....	21
10.2.2	Apparatus .....	21
10.2.3	Procedure .....	21
10.2.4	Requirement .....	22
	Bibliography .....	23

## iTeh STANDARD PREVIEW (standards.iteh.ai)

[SIST EN 1113:2015](#)

<https://standards.iteh.ai/catalog/standards/sist/fdeddd03-dad0-47e1-adf1-e5b76bdf96c5/sist-en-1113-2015>

**EN 1113:2015 (E)****Foreword**

This document (EN 1113:2015) has been prepared by Technical Committee CEN/TC 164 "Water supply", the secretariat of which is held by AFNOR.

This European Standard shall be given the status of a national standard, either by publication of an identical text or by endorsement, at the latest by October 2015, and conflicting national standards shall be withdrawn at the latest by October 2015.

Attention is drawn to the possibility that some of the elements of this document may be the subject of patent rights. CEN [and/or CENELEC] shall not be held responsible for identifying any or all such patent rights.

This document supersedes EN 1113:2008+A1:2011.

The main change to this standard is the introduction of 2 classes for hoses for supply systems of type 1. See Table 1 and Table 3.

According to the CEN-CENELEC Internal Regulations, the national standards organizations of the following countries are bound to implement this European Standard: Austria, Belgium, Bulgaria, Croatia, Cyprus, Czech Republic, Denmark, Estonia, Finland, Former Yugoslav Republic of Macedonia, France, Germany, Greece, Hungary, Iceland, Ireland, Italy, Latvia, Lithuania, Luxembourg, Malta, Netherlands, Norway, Poland, Portugal, Romania, Slovakia, Slovenia, Spain, Sweden, Switzerland, Turkey and the United Kingdom.

**iTeh STANDARD PREVIEW**  
**(standards.iteh.ai)**

[SIST EN 1113:2015](https://standards.iteh.ai/catalog/standards/sist/fdeddd03-dad0-47e1-adf1-e5b76bd96c5/sist-en-1113-2015)

<https://standards.iteh.ai/catalog/standards/sist/fdeddd03-dad0-47e1-adf1-e5b76bd96c5/sist-en-1113-2015>

## Introduction

In respect of potential adverse effects on the quality of water intended for human consumption caused by the product covered by this European Standard:

- This European Standard provides no information as to whether the product may be used without restriction in any of the Member States of the EU or EFTA.
- While awaiting the adoption of verifiable European criteria, existing national regulations concerning the use and/or the characteristics of this product remain in force.

## iTeh STANDARD PREVIEW (standards.iteh.ai)

[SIST EN 1113:2015](https://standards.iteh.ai/catalog/standards/sist/fdeddd03-dad0-47e1-adf1-e5b76bdf96c5/sist-en-1113-2015)

<https://standards.iteh.ai/catalog/standards/sist/fdeddd03-dad0-47e1-adf1-e5b76bdf96c5/sist-en-1113-2015>

## EN 1113:2015 (E)

## 1 Scope

This European Standard specifies:

- the dimensional, leaktightness, mechanical and hydraulic characteristics with which shower hoses should comply;
- the procedures for testing these characteristics.

This European Standard applies to shower hoses of any material used for ablutionary purposes and intended for equipping and supplementing sanitary tapware for baths and showers.

This European Standard applies to shower hoses connected downstream of the obturator of the tapware.

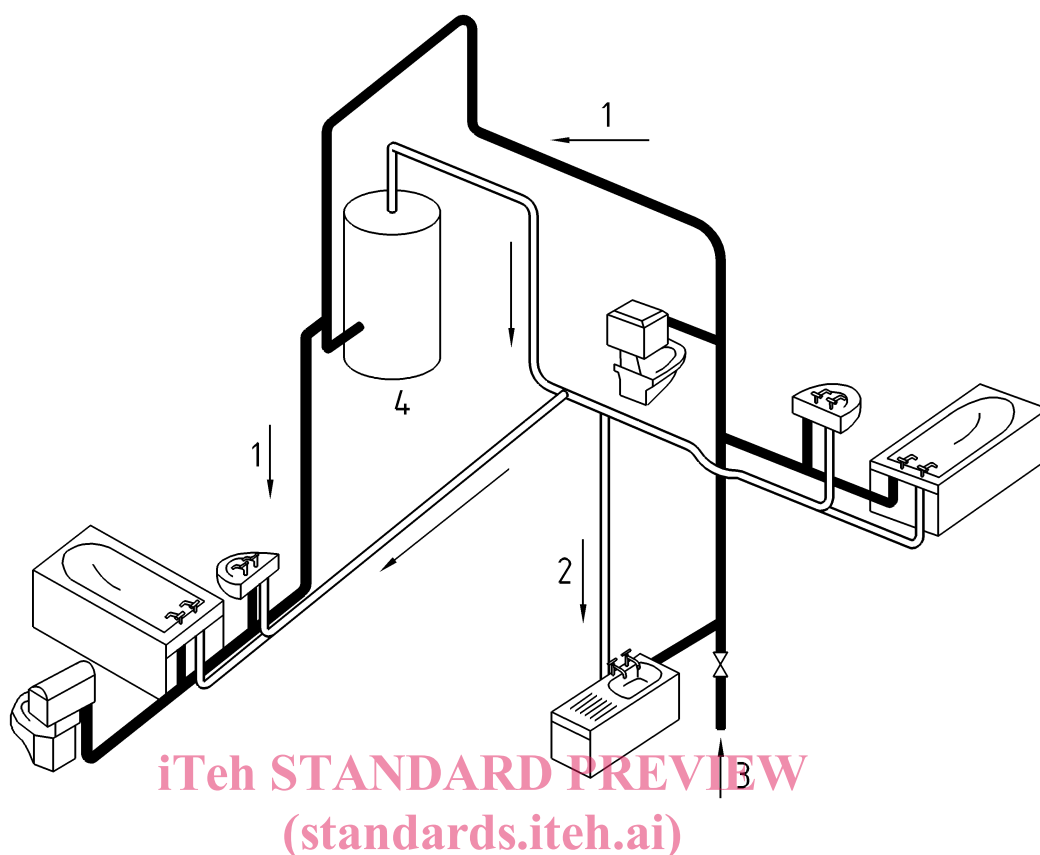
Hoses which are an integral part of sanitary tapware (sink and wash basin mixing valves) or hoses intended to connect sanitary tapware to the water supplies are not covered by this European Standard.

Details of pressures and temperatures are given in Table 1.

**Table 1 — Conditions of use/Classifications**

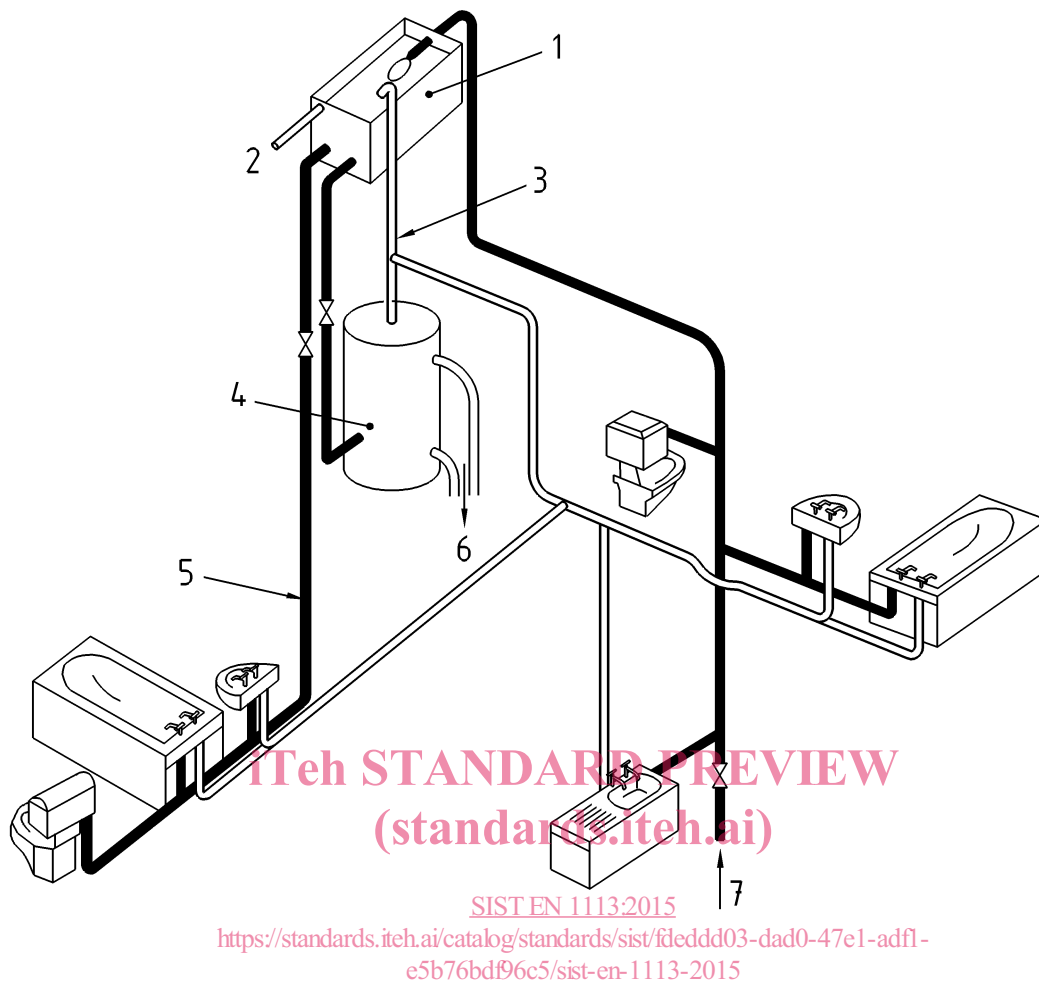
Water Supply system	Operating range of shower hoses		Flow rates
	Limits	Recommended	See Table 3
Type 1 see Figure 1	Dynamic Pressure (0,05 to 0,5) MPa [(0,5 to 5) bar]	Dynamic Pressure (0,1 to 0,3) MPa [(1,0 to 3,0) bar]	Class 1 0,42 l/s ≤ Q (25,2 l/min ≤ Q) at (0,3 <sub>0</sub> <sup>+0,02</sup> ) MPa [(3 <sub>0</sub> <sup>+0,2</sup> ) bar]
			Class 2 0,20 l/s ≤ Q < 0,42 l/s (12 l/min ≤ Q < 25,2 l/min) at (0,3 <sub>0</sub> <sup>+0,02</sup> ) MPa [(3 <sub>0</sub> <sup>+0,2</sup> ) bar]
Type 2 see Figure 2	Dynamic Pressure (0,01 to 0,2) MPa [(0,1 to 2) bar]	Dynamic Pressure (0,02 to 0,10) MPa [(0,2 to 1,0) bar]	Class E 0,06 l/s < Q < 0,18 l/s (3,6 l/min < Q < 10,8 l/min.) at (0,01 <sub>0</sub> <sup>+0,0005</sup> ) MPa [(0,1 <sub>0</sub> <sup>+0,005</sup> ) bar]
			Class H 0,18 l/s ≤ Q (10,8 l/min ≤ Q) at (0,01 <sub>0</sub> <sup>+0,0005</sup> ) MPa [(0,1 <sub>0</sub> <sup>+0,005</sup> ) bar]
Temperature	T ≤ 70°C	T ≤ 42°C	



**Key**

- |   |   |   |
|---|---|---|
| 1 | cold water  | <a href="https://standards.iteh.ai/catalog/standards/sist/fdeddd03-dad0-47e1-adf1-e5b76bd96c5/sist-en-1113-2015">SIST EN 1113:2015<br/>https://standards.iteh.ai/catalog/standards/sist/fdeddd03-dad0-47e1-adf1-e5b76bd96c5/sist-en-1113-2015</a> |
| 2 | hot Water   |   |
| 3 | mains supply pipe (Supply pressures up to 10 bar) |   |
| 4 | water heater                                      |   |

**Figure 1 — Type 1 Water supply system with a pressure range of (0,05 – 1,0) MPa [(0,5 - 10) bar]**

**Key**

- 1 cold water storage cistern (cover omitted for clarity)
- 2 warning pipe
- 3 vent pipe
- 4 hot water cylinder
- 5 alternative cistern fed cold supply to sanitary appliances
- 6 to boiler
- 7 mains supply pipe (Supply pressures up to 10 bar)

**Figure 2 — Type 2 Water supply system - with a pressure range of (0,01 – 1,0) MPa, [(0,1 - 10) bar].  
A vented domestic hot water and cold water supply system incorporating gravity hot water, mains cold water and alternative gravity cold water supply to sanitary appliances**

## 2 Normative references

The following documents, in whole or in part, are normatively referenced in this document and are indispensable for its application. For dated references, only the edition cited applies. For undated references, the latest edition of the referenced document (including any amendments) applies.

EN 248, *Sanitary tapware — General specification for electrodeposited coatings of Ni-Cr*

EN ISO 228-1, *Pipe threads where pressure-tight joints are not made on the threads — Part 1: Dimensions, tolerances and designation (ISO 228-1)*

## 3 Terms and definitions

For the purposes of this document, the following term and definition applies.

### 3.1

#### shower hose

flexible supply pipe which connects sanitary tapware to a shower handset

## 4 Designation

Hoses complying with this European Standard are designated by:

- the connecting thread dimensions G 1/2 × G 1/2 or G 1/2 × G 3/4;
- reference to this European Standard: EN 1113; [1113:2015](https://standards.iteh.ai/catalog/standards/sist/fdeddd03-dad0-47e1-adf1-e5b76bd96c5/sist-en-1113-2015)
- the length;
- the material of the external sheath (plastic, metal);
- the type of nuts and if conical the dimension C;
- flow rate class (see Table 1).

EXAMPLE Shower hose G 1/2, cone 26 × G 3/4, length 1,5 m, metal sheath, EN 1113, class H.

## 5 Marking

Hoses complying with this European Standard shall be marked permanently and legibly with the manufacturer's mark or the supplier's mark.

## 6 Materials

### 6.1 Chemical and hygienic requirements

All materials coming into contact with water intended for human consumption shall not present any risk to health at temperatures up to the maximum working temperature. They shall not cause any deterioration to water intended for human consumption in terms of quality, appearance, smell or taste.