



Designation: D 2570 – 96 (Reapproved 2002)

Standard Test Method for Simulated Service Corrosion Testing of Engine Coolants¹

This standard is issued under the fixed designation D 2570; the number immediately following the designation indicates the year of original adoption or, in the case of revision, the year of last revision. A number in parentheses indicates the year of last approval. A superscript epsilon (ϵ) indicates an editorial change since the last revision or reapproval.

1. Scope

1.1 This test method evaluates the effect of a circulating engine coolant on metal test specimens and automotive cooling system components under controlled, essentially isothermal laboratory conditions.

1.2 This test method specifies test material, cooling system components, type of coolant, and coolant flow conditions that are considered typical of current automotive use.

1.3 The values stated in either SI or inch-pound units are to be regarded as the standard. The values given in parentheses are approximate equivalents for information only.

1.4 *This standard does not purport to address all of the safety concerns, if any, associated with its use. It is the responsibility of the user of this standard to establish appropriate safety and health practices and determine the applicability of regulatory limitations prior to use.* Specific precautionary statements are given in Section 6.

2. Referenced Documents

2.1 ASTM Standards:

- D 1121 Test Method for Reserve Alkalinity of Engine Coolants and Antirusts²
- D 1176 Test Method for Sampling and Preparing Aqueous Solutions of Engine Coolants or Antirusts for Testing Purposes²
- D 1177 Test Method for Freezing Point of Aqueous Engine Coolants²
- D 1193 Specification for Reagent Water³
- D 1287 Test Method for pH of Engine Coolants and Antirusts²
- D 1384 Test Method for Corrosion Test for Engine Coolants in Glassware²
- D 2758 Test Method for Engine Coolants by Engine Dynamometer²
- D 2847 Practice for Testing Engine Coolants in Car and Light Truck Service²

¹ This test method is under the jurisdiction of ASTM Committee D15 on Engine Coolants and is the direct responsibility of Subcommittee D15.09 on Simulated Service Tests.

Current edition approved April 10, 1996. Published June 1996. Originally published as D 2570 – 66 T. Last previous edition D 2570 – 94.

² Annual Book of ASTM Standards, Vol 15.05.

³ Annual Book of ASTM Standards, Vol 11.01.

D 3306 Specification for Ethylene Glycol Base Engine Coolant for Automobile and Light Duty Service²

D 4985 Specification for Low Silicate Ethylene Glycol Base Engine Coolant for Heavy Duty Engines Requiring an Initial Charge of Supplemental Coolant Additive (SCA)²

2.2 SAE Standard:⁴

SAE J20e Standard for Coolant System Hoses

3. Summary of Test Method

3.1 An engine coolant is circulated for 1064 h at 190°F (88°C) in a flow loop consisting of a metal reservoir, an automotive coolant pump, an automotive radiator, and connecting rubber hoses. Test specimens representative of engine cooling system metals are mounted inside the reservoir, which simulates an engine cylinder block. At the end of the test period, the corrosion-inhibiting properties of the coolant are determined by measuring the mass losses of the test specimens and by visual examination of the interior surfaces of the components.

4. Significance and Use

4.1 This test method, by a closer approach to engine cooling system conditions, provides better evaluation and selective screening of engine coolants than is possible from glassware testing (Test Method D 1384). The improvement is achieved by controlled circulation of the coolant, by the use of automotive cooling system components, and by a greater ratio of metal surface area to coolant volume.

4.2 Although this test method provides improved discrimination, it cannot conclusively predict satisfactory corrosion inhibition and service life. If greater assurance of satisfactory performance is desired, it should be obtained from full-scale engine tests (Test Method D 2758) and from field testing in actual service (Practice D 2847).

4.3 Significance and interpretation of the test and its limitations are discussed further in Appendix X1.

4.4 If this test method is used as a qualification test for Specification D 3306 and Specification D 4985, the recommended components listed in Section 5 shall be used. If it is not

⁴ Available from Society of Automotive Engineers, 400 Commonwealth Dr., Warrendale, PA 15096.

being used for such qualification purposes, then suitable substitution components may be used, if agreed upon between the contracting parties.

5. Apparatus

5.1 *Reservoir*—An assembly drawing of this component⁵ is shown in Fig. 1. The material of construction, representing that of the engine cylinder block, shall be SAE G3500 Gray Iron for Automotive Castings.⁶ Install a right angle fitting on the top of the reservoir for attachment of an air line. Install a shutoff valve in the air line to avoid backing up the solution into the pressure hose.

5.2 *Automotive Components*—These shall be those normally used with a 4, 6, or 8-cylinder automobile engine used in current automobiles in the United States, in the 1.6 to 5.0-L (98 to 305-in.³) range of piston displacement. General characteristics shall be as follows:

5.2.1 *Radiator*—Brass,⁶ GM part No. 3056740 (cross flow), with coolant recovery tank. An aluminum radiator, GM part No. 3093506, may be used subject to mutual agreement of the parties involved.

5.2.2 *Radiator Pressure Cap*—Normally open 12 to 15 psi (80 to 100 kPa), GM part No. 6410427.

5.2.3 *Coolant Pump*⁶—GM part No. 14033483 (aluminum matching front end cover). GM part No. 14033526 (aluminum provides back cover), coolant discharge parts and mounting for pump.

5.2.4 *Coolant Outlet*—GM part No. 14033198 (aluminum).

5.2.5 *Hoses*—Reinforced elastomer, meeting the requirements of SAE J20e.⁷

5.2.6 *Hose Clamps*—Preferably worm-screw type (constant tension may be used).

5.2.7 *Hose Sight Tube*—A pyrex glass sight tube shall be installed in the top radiator hose. The tube should have a slight bead on each end. (The primary purpose of the sight tube is to see that there is entrained air in the system.)

5.3 *Pipe Fittings*—The preferred material for the fittings required in the hose connections between pump discharge ports and reservoir inlet is malleable cast iron. A satisfactory alternative is steel.

5.4 *Electric Motor*—1½ hp (1.1 kW) or larger, drip-proof or explosion-proof in accordance with local safety regulations.

5.5 *Pulleys and Drive Belt*—Sized to drive the pump at speed that will produce a flow rate of 20 to 25 gal/min (1.3 to 1.6 L/s) for the General Motors 173-in.³ (2.8-L) V-6 engine. The flow rate may be determined by a flow measurement device⁸ located between pump discharge and reservoir inlet, as

indicated in Fig. 2. The pressure drop between pump discharge and reservoir inlet, measured by the pressure gages shown in Fig. 2, must be maintained when the flow measurement device is removed from the system. This can be done by substituting for the flow measurement device a variable-flow restriction, such as a valve, which can be adjusted to produce the same pressure drop as that measured across the flow measurement device at the specified flow rate.

5.6 *Electric Heater*—About 2000 W, either a hot plate⁹ installed under the reservoir or a circumferential, metal-clad heater band¹⁰ around the reservoir.

5.7 *Thermoregulator*—A suitable temperature regulator¹¹ shall be used to maintain the coolant temperature between the limits specified by 9.3. The sensing unit of the regulator shall be installed in an opening on the reservoir cover.

5.8 *Thermometer*—An instrument¹² capable of indicating coolant temperature to the nearest 1°F or 1°C shall be installed in an opening on the reservoir cover.

5.9 *Framework*—A suitable framework shall be used to mount all the components as a unit.¹³

6. Safety Precautions

6.1 *Reservoir*—Protection against bursting shall be provided, either by a pressure-relief valve on the cover or by a safety enclosure.

6.2 *Pump Drive*—A safety guard for the coolant pump drive belt and pulleys shall be provided.

6.3 *Electrical*—Electrical circuits required for operation of motor, heater, and thermoregulator shall be installed with suitable precautions against electrical shock to operating personnel in the event of accidental spills of electrically conductive liquids.

6.4 *Thermal*—Protection of operating personnel against burns from exposed metal surfaces, especially those of the heater, shall be provided.

7. Metal Test Specimens

NOTE 1—The specimens prescribed for this test method have been accepted by automobile manufacturers and are required for Specifications D 3306 and D 4985 qualification. Current production vehicles may have differing alloy. Therefore, specimens other than those designated in this test method may be used by mutual agreement of the parties involved.

7.1 The description, specification, preparation, cleaning, and weighing of the metal test specimens to be used in this test method are given in detail in Test Method D 1384. However, the solid solder specimen allowed as an alternative in Test Method D 1384 shall not be used in this test method, as it has been known to bend and contact an adjoining specimen.

⁵ Detail drawings are available at a nominal cost from ASTM International Headquarters. Request Adjunct No. 12-425700-10. Reservoirs of cast iron or cast aluminum, made in accordance with these drawings, may be obtained from Commercial Machine Service, 1099 Touhy Ave., Elk Grove Village, IL 60007. (847) 806-1901.

⁶ Aluminum or iron may be used if mutually agreed upon between the parties involved.

⁷ Gates "Vulco Straight" bulk-length radiator hose, Product Type 4178, has been found satisfactory. Equivalent radiator hoses may be used.

⁸ Fischer and Porter Series 10A2235A Ratosight Flow Rate Indicator, 4 to 50 gal/min (0.3 to 3.0 L/s), of bronze construction, has been found satisfactory. Equivalent flow measuring devices may be used.

⁹ Chromalox No. ROPH-204 has been found satisfactory. Equivalent hot plates may be used.

¹⁰ Chromalox No. HB-8415 has been found satisfactory. Equivalent heater bands may be used.

¹¹ Chromalox No. AR-2524P has been found satisfactory. Equivalent thermoregulators may be used.

¹² Fischer Scientific No. 15-076D and Weston No. 2261 dial-type thermometers have been found satisfactory. Equivalent thermometers may be used.

¹³ Detail and assembly drawings of a suitable framework and arrangement of components thereon are available at a nominal cost from ASTM International Headquarters. Request Adjunct No. 12-425700-20.

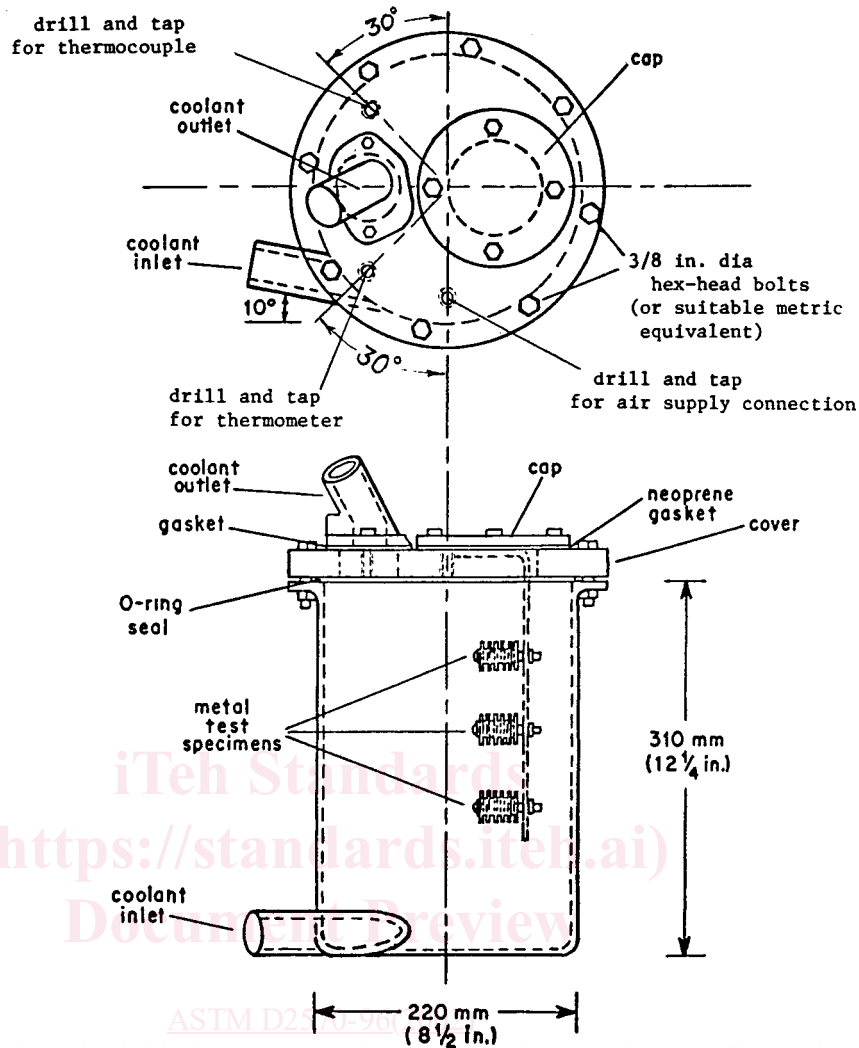


FIG. 1 Reservoir

NOTE 2—The procedure for the cleaning of aluminum alloy coupons was changed in 1995 to eliminate the use of chromic acid, a recognized health hazard.

7.2 Arrangement—The metal test specimens shall be drilled through the center with a $1\frac{1}{64}$ -in. (6.8-mm) drill to accommodate a $2\frac{1}{2}$ -in. (65-mm) 10–24 brass machine screw covered with a thin-walled insulating sleeve. Polytetrafluoroethylene tubing with a $\frac{1}{4}$ -in. (6.4-mm) outside diameter and a wall thickness of $\frac{1}{64}$ in. (0.4 mm) is satisfactory. The standard test “bundle” shall be assembled on the insulated screw with the specimens in the following order, starting from the screw head: copper, solder, brass, steel, cast iron, and cast aluminum. The specimens shall be separated by $\frac{3}{16}$ -in. (5-mm) thick solid metal and insulating spacers having a $1\frac{1}{64}$ -in (6.8-mm) inside diameter and a 7.16-in. (11-mm) outside diameter. Brass spacers shall be used between the copper, solder, and brass specimens, and steel spacers between the steel, cast iron, and cast aluminum specimens. Insulating spacers made from polytetrafluoroethylene shall be used between the screw head and the copper specimen, between the brass and steel specimens, and between the cast aluminum specimen and a brass nut. The nut shall be tightened firmly to ensure good electrical contact

between the test specimens in each section of the bundle. As shown in Fig. 3, each bundle shall be positioned on a bracket mounted on the cap of the reservoir and fastened in place with another brass nut; the 2-in. (50-mm) dimensions of the test specimens shall be horizontal when inserted into the reservoir.

8. Test Solution

8.1 The coolant to be tested shall be a 44 % by volume glycol-based coolant prepared with corrosive water (Note 3) to give a solution having a freezing point of $-20 \pm 2^\circ\text{F}$ ($-29 \pm 1^\circ\text{C}$). The corrosive water shall contain 100 ppm each of sulfate, chloride, and bicarbonate ions introduced as the sodium salts. Preparation of the sample shall be done in accordance with Section 6 of Test Method D 1176, with corrosive water used for dilution. Thus, any insoluble materials will be included in the representative sample. The freezing point of the coolant solution may be determined by Test Method D 1177.

NOTE 3—The specified corrosive water can be prepared by dissolving the following amounts of anhydrous sodium salts in a quantity of distilled or deionized water: