

First edition
2006-09-01

Corrected version
2007-01-15

**Telemark ski-boots for adults — Interface
with Telemark ski-bindings —
Requirements and test methods**

*Chaussures de ski télémark pour adultes — Zone de contact avec les
fixations de ski télémark — Exigences et méthodes d'essai*

iTeh STANDARD PREVIEW
(standards.iteh.ai)

[ISO 22264:2006](#)

<https://standards.iteh.ai/catalog/standards/sist/f74812be-fb42-40fa-8106-5d1dca14c452/iso-22264-2006>



Reference number
ISO 22264:2006(E)

© ISO 2006

PDF disclaimer

This PDF file may contain embedded typefaces. In accordance with Adobe's licensing policy, this file may be printed or viewed but shall not be edited unless the typefaces which are embedded are licensed to and installed on the computer performing the editing. In downloading this file, parties accept therein the responsibility of not infringing Adobe's licensing policy. The ISO Central Secretariat accepts no liability in this area.

Adobe is a trademark of Adobe Systems Incorporated.

Details of the software products used to create this PDF file can be found in the General Info relative to the file; the PDF-creation parameters were optimized for printing. Every care has been taken to ensure that the file is suitable for use by ISO member bodies. In the unlikely event that a problem relating to it is found, please inform the Central Secretariat at the address given below.

iTeh STANDARD PREVIEW
(standards.iteh.ai)

ISO 22264:2006

<https://standards.iteh.ai/catalog/standards/sist/f74812be-fb42-40fa-8106-5d1dca14c452/iso-22264-2006>

© ISO 2006

All rights reserved. Unless otherwise specified, no part of this publication may be reproduced or utilized in any form or by any means, electronic or mechanical, including photocopying and microfilm, without permission in writing from either ISO at the address below or ISO's member body in the country of the requester.

ISO copyright office
Case postale 56 • CH-1211 Geneva 20
Tel. + 41 22 749 01 11
Fax + 41 22 749 09 47
E-mail copyright@iso.org
Web www.iso.org

Published in Switzerland

Contents

Page

Foreword	iv
1 Scope	1
2 Normative references	1
3 Terms and definitions	1
4 Requirements and test methods	2
4.1 General	2
4.2 Dimensions	2
4.3 Design	3
5 Marking	10
Annex A (normative) Mondopoint system Telemark ski-boot sizing and marking	11

iTeh STANDARD PREVIEW
(standards.iteh.ai)

ISO 22264:2006

<https://standards.iteh.ai/catalog/standards/sist/f74812be-fb42-40fa-8106-5d1dca14c452/iso-22264-2006>

Foreword

ISO (the International Organization for Standardization) is a worldwide federation of national standards bodies (ISO member bodies). The work of preparing International Standards is normally carried out through ISO technical committees. Each member body interested in a subject for which a technical committee has been established has the right to be represented on that committee. International organizations, governmental and non-governmental, in liaison with ISO, also take part in the work. ISO collaborates closely with the International Electrotechnical Commission (IEC) on all matters of electrotechnical standardization.

International Standards are drafted in accordance with the rules given in the ISO/IEC Directives, Part 2.

The main task of technical committees is to prepare International Standards. Draft International Standards adopted by the technical committees are circulated to the member bodies for voting. Publication as an International Standard requires approval by at least 75 % of the member bodies casting a vote.

Attention is drawn to the possibility that some of the elements of this document may be the subject of patent rights. ISO shall not be held responsible for identifying any or all such patent rights.

ISO 22264 was prepared by Technical Committee ISO/TC 83, *Sports and recreational equipment*, Subcommittee SC 3, *Ski bindings*.

This corrected version of ISO 22264:2006 includes the following correction:

— page 8, Figure 8

Replace the value " ≥ 45 " by " ≥ 50 ".

<https://standards.iteh.ai/catalog/standards/sist/f74812be-fb42-40fa-8106-5d1dca14c452/iso-22264-2006>

iTeh STANDARD PREVIEW
(standards.iteh.ai)

Telemark ski-boots for adults — Interface with Telemark ski-bindings — Requirements and test methods

1 Scope

This International Standard specifies the dimensions and characteristics of the interface, requirements, test methods and marking of Telemark ski-boots with flexible sole which are used with current systems of telemark ski-bindings with attachment at the boot toe and boot heel, the proper function of which depends on the dimensions and design of the interfaces.

For Telemark ski-binding systems that function irrespective of the sole shape or that have different requirements for the sole dimensions, it is not always necessary for the Telemark ski-boot soles to comply with this International Standard in order to achieve the desired degree of safety.

It applies to Telemark ski-boots of sizes 15,0 and larger in the mondopoint system (see Annex A).

2 Normative references

iTeh STANDARD PREVIEW
(standards.iteh.ai)

The following referenced documents are indispensable for the application of this document. For dated references, only the edition cited applies. For undated references, the latest edition of the referenced document (including any amendments) applies.

ISO 554, *Standard atmospheres for conditioning and/or testing* — Specifications

ISO 9407, *Shoe sizes — Mondopoint system of sizing and marking*

3 Terms and definitions

For the purposes of this document, the following terms and definitions apply.

3.1

interface

that part of the Telemark ski-boot intended for contact with the ski-binding

3.2

front interface

that part of the Telemark ski-boot intended to fit with the front binding

3.3

rear interface

that part of the Telemark ski-boot intended to fit with the rear binding

3.4

free space

space intended to avoid contact between Telemark ski-boots and binding, especially during step in/step out or release

3.5

flex ski-boot sole

ski-boot sole that flexes sensibly when skiing and walking

3.6

median plane

middle plane of the sole, longitudinal and perpendicular to the bearing surface

3.7

bearing surfaces

front and rear surfaces of the boot sole which are in contact with a plane on which the boot is standing

4 Requirements and test methods

4.1 General

If no specific test methods are indicated, check the characteristics as appropriate, e.g. by measurement.

If not otherwise indicated, execute the testing under standard atmosphere 23/50 (see ISO 554) with ordinary tolerances.

4.2 Dimensions

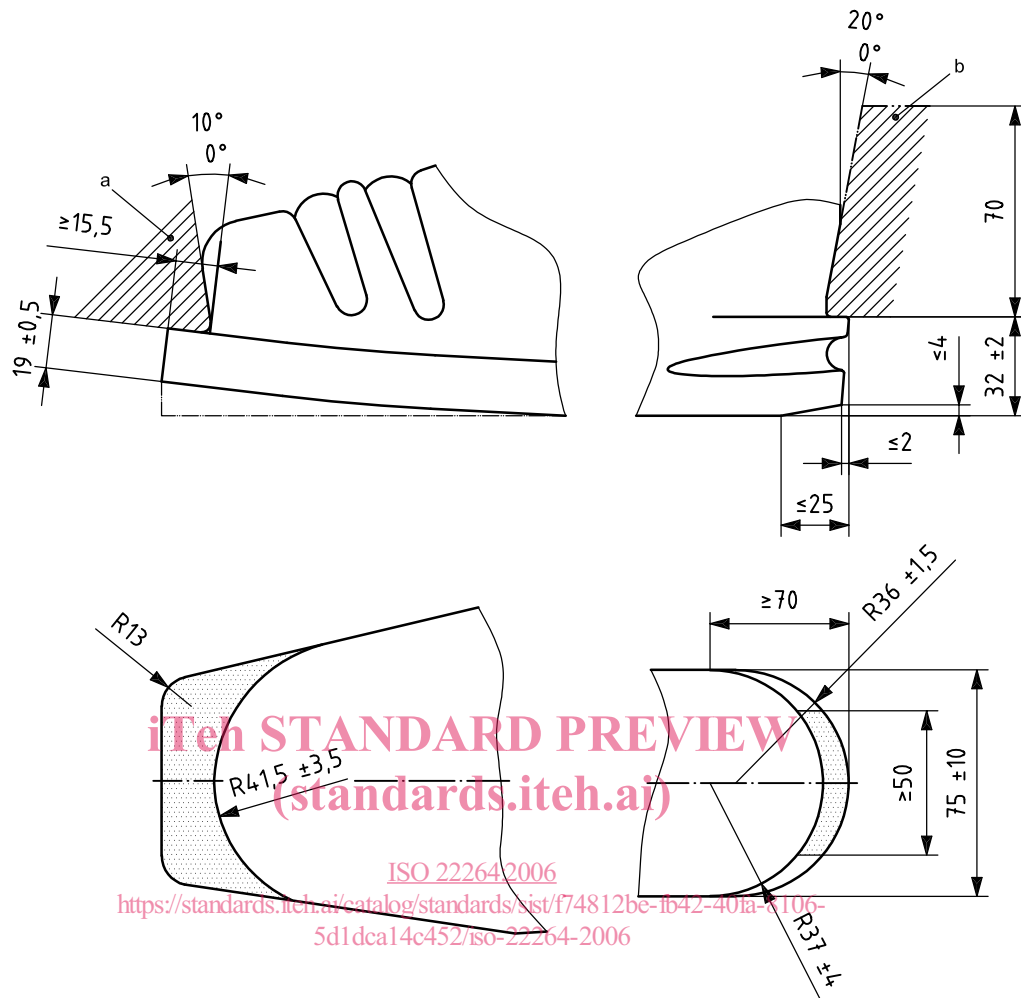
The dimensions of the boot toe and heel shall correspond to those shown in Figure 1. Other boot dimensions need not correspond to those shown in Figure 1.

Fundamentally, all dimensions shall be within the indicated tolerance. However relevance to safety varies in importance depending on the indicated dimensions.

Looking at several dimensions, a deviation from the tolerances can be accepted, provided that the following requirements are respected:

- a) the deviations shall remain exceptional;
- b) the deviations shall be small;
- c) no limitations of function shall arise with all marketable and critical bindings;
- d) the tolerance shall be respected at the next possible chance (e.g. reconstruction of a tool).

Dimensions in millimetres



- a Free space for movement of boot and binding.
 b Free space for binding.

NOTE Shaded areas are those in which the tolerance of evenness and the dimensions $(19 \pm 0,5)$ mm and (32 ± 2) mm and radius 36 mm and 37 mm are valid.

Figure 1 — Dimensions of sole toe and heel

4.3 Design

4.3.1 Sole length

The sole lengths of the two Telemark ski-boots in a pair shall not differ by more than 2 mm.

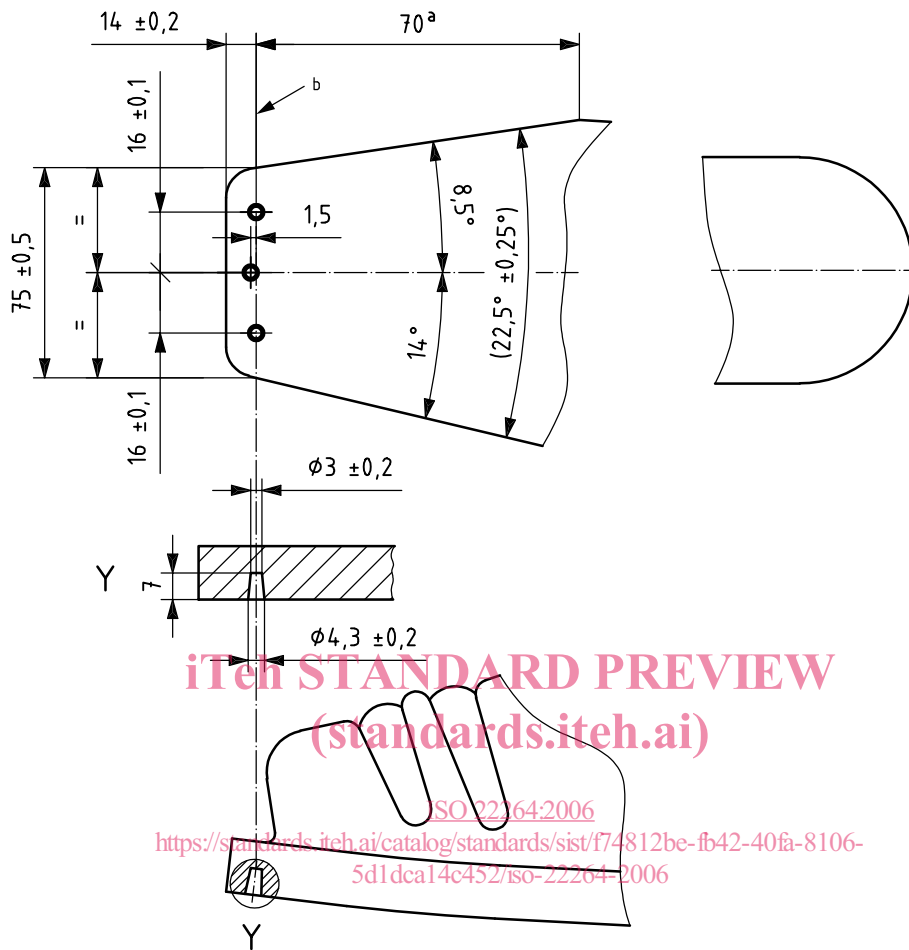
4.3.2 Symmetry

The sole dimensions in the heel interface areas shall be symmetrical about the median plane within an admissible deviation of 1 mm.

The toe interface is not symmetrical, Figure 1 shows a right sole.

4.3.3 3-pin definition at the bottom of sole

Dimensions in millimetres



- a Minimum straight part.
- b 3-pin line.

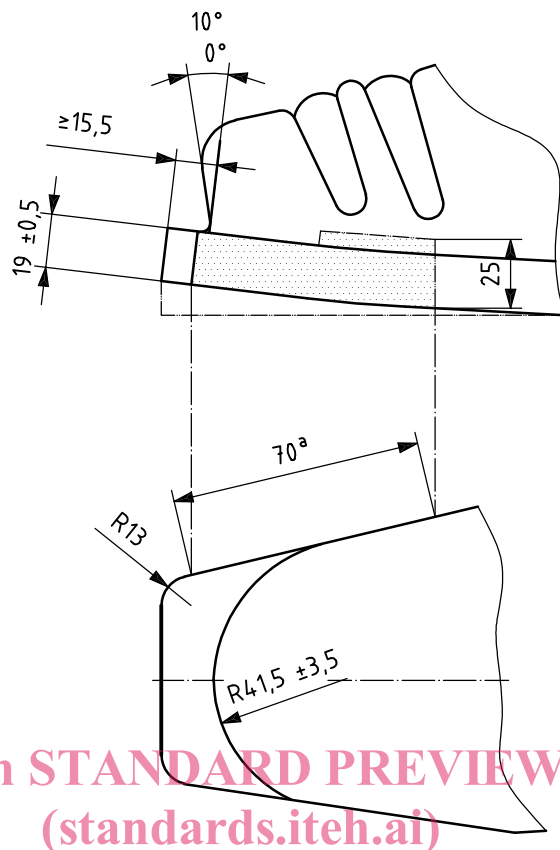
Figure 2 — “3-pin” definitions for 3in bindings — Right boot

4.3.4 Side walls at boot toe

The side walls of the sole at the boot toe, up to a distance of at least 70 mm × 25 mm from the front of the sole, shall be perpendicular to the bearing surface within an admissible inward-outward deviation of maximum 0,5 mm.

If the side walls of the sole are built in two parts, it shall be ensured that no part of the lower area of the sole protrudes beyond the upper profile.

Dimensions in millimetres



iTeh STANDARD PREVIEW
(standards.iteh.ai)

^a Minimum straight part.

ISO 22264:2006

<https://standards.iteh.ai/standards/iso-22264-2006/5d1dca14c452/iso-22264-2006> Figure 3 — Side walls of boot toe

4.3.5 Boot heel

The lateral side walls of the sole at the boot heel, up to a distance of at least 70 mm from the heel end, shall be perpendicular to the bearing surface, or tapered inwards-outwards between 0° and 10°.

Dimensions in millimetres

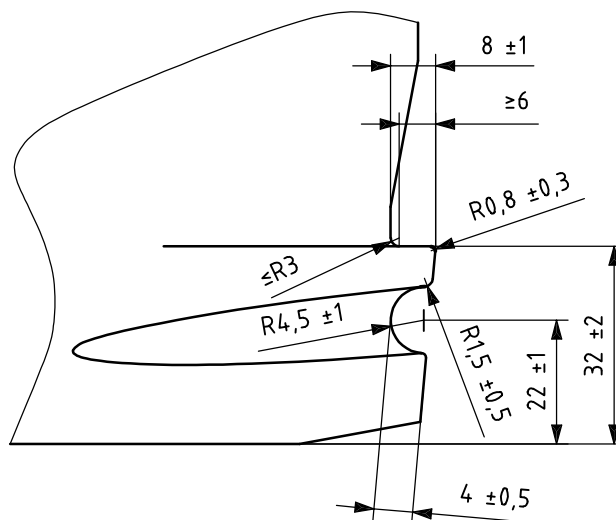


Figure 4 — Lateral grooves at heel